

13 KS

130 mm K2 Power® subwoofer



- Compact subwoofer
- For small closed box
- Zamak basket

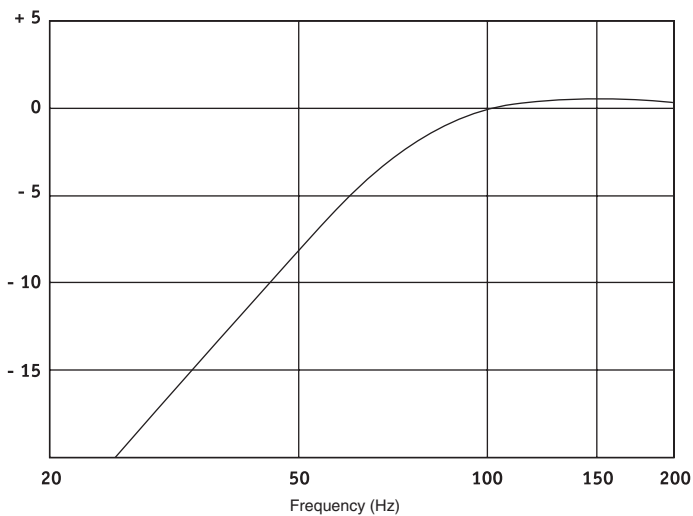


Specifications

Nominal power	80 W	
Maximum power	160 W	
Sensitivity	85 dB	
Cone	K2 Composite Sandwich®	
Surround	Butyl	
Nom. impedance	8 ohms	
DC resistance	5.2 ohms	
VC diameter	40 mm	1.57 in
VC height	22 mm	0.86 in
Former	Kapton®	
Layers	1	
Wire	Flat Copper	
Inductance	1 mH	
Xmax	8 mm	0.35 in
Magnet d x h	100 x 18 mm	3.93 x 0.70 in
Magnet weight	564 g	1.24 lb
Flux density	0.9 T	
Gap height	6 mm	0.23 in
Net weight	1.4 kg	3.08 lb

Suggested Application

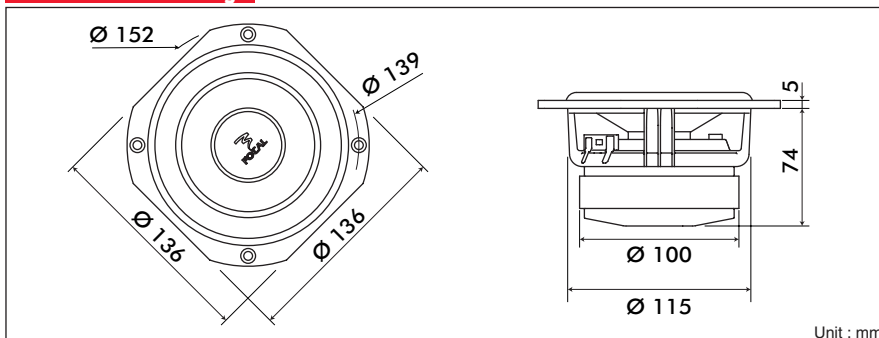
Sealed enclosure
5 liters (0.18 cu. ft.)



Parameters

Fs	56.5 Hz	
Vas	4.54 l	0.16 Ft ³
Qts	0.545	
Qes	0.59	
Qms	7.18	
Re	5.2 ohms	
Sd	86.59 cm ²	13.42 in ²
Cas	3.23E-08 m ⁵ /N	
Mas	245.4 kg/m ⁴	
Ras	12133.46 ohms.ac	
Cms	4.31E-4 m/N	
Mms	18.4 g	0.04 lb
Rms	910 g/s	
Ces	319.61 mF	
Les	24.83 mH	
Res	63.28 ohms	
BI	7.59 N/A	
SPL	83.27 dB/W/m	

Mechanical Drawing



Suggested application

Load	V (l)	Fb (Hz)	F-3 (Hz)	Ql
Sealed	5	-	73	7
Vented	-	-	-	-
Sealed	-	-	-	-

Focal® is a trademark of Focal-JMLab®