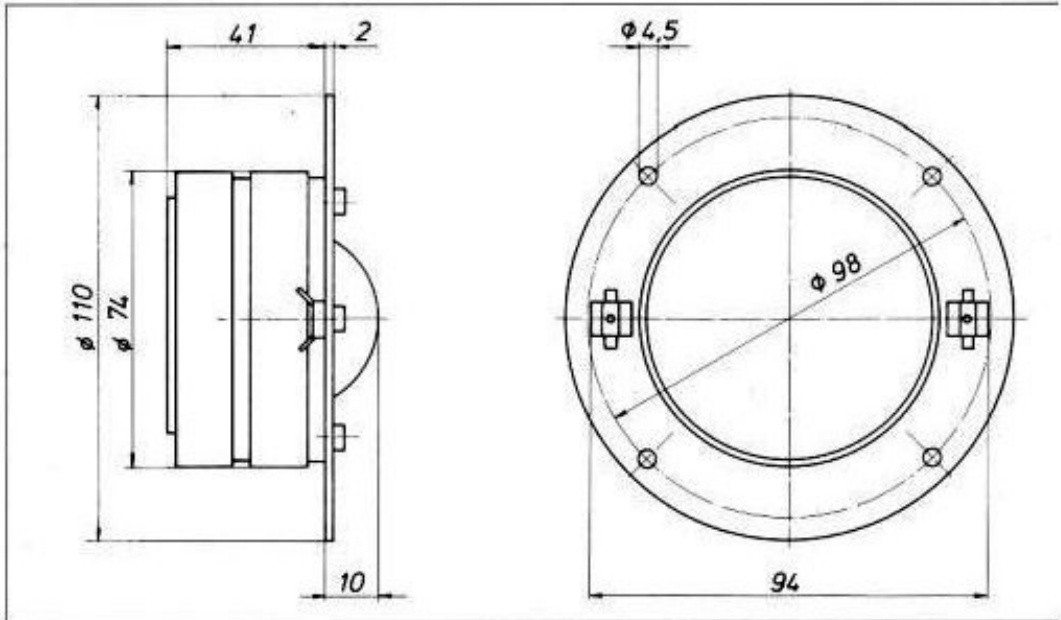
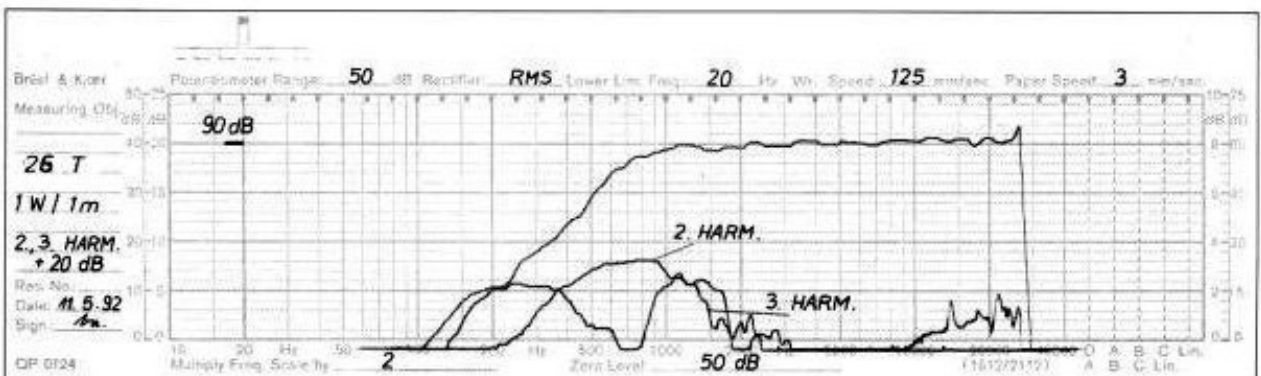
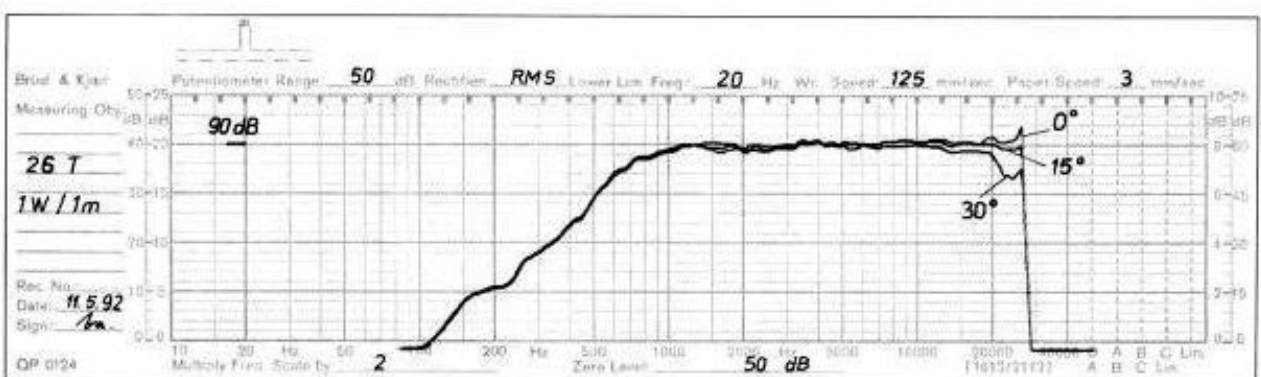

1" dome tweeter

25 mm titanium dome tweeter with high efficiency and extraordinarily wide frequency response

- titanium dome
- soft surround
- black aluminum front plate
- double magnet
- vented polepiece
- grill frame



Nominal Impedance	Z_n	8	Ω
DC Resistance	R_{dc}	6,8	Ω
Resonant Frequency	f_r	730	Hz
Rated Power		100	W
Sound Pressure 1W/1m		90	dB SPL
Total Moving Mass	M_{MS}	0,28	g
Effective Piston Area	S_D	6,8	cm ²
Voice Coil Diameter		25	mm
Voice Coil Former		Aluminium	
Voice Coil Length		1,5	mm
Voice Coil Layers		2	
Flux Density	B	1,8	Tesla
Force Factor	B_L	3,2	Tm
Gap Height		1,5	mm
Magnet Diameter		72	mm
Magnet Height		2 x 15	mm
Magnet Weight		2 x 0,25	kg
Mass of Speaker		0,75	kg


Frequency Response/Distortion

Frequency Response