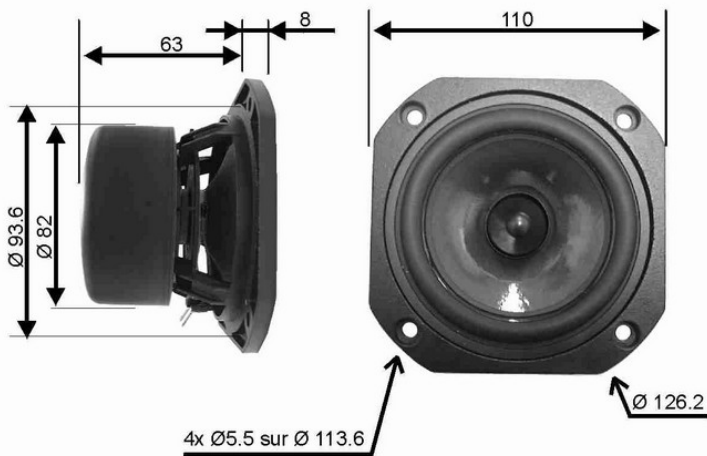


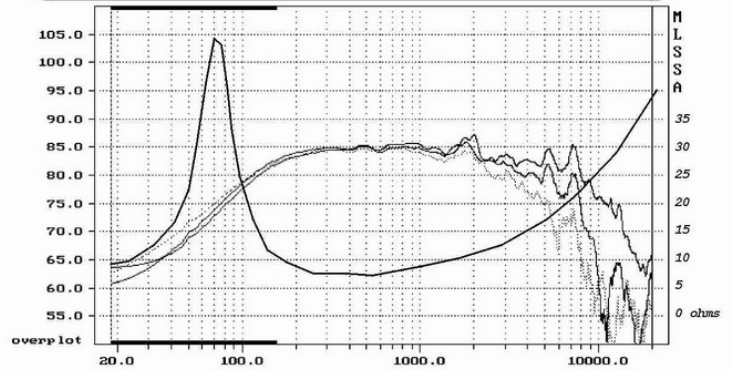


**4" Bass Midrange HDA cone 8 ohms**

**AM100Z0**



Non resonant die as chassis  
High loss rubber surround  
High temperature voice coil



Nominal impedance . . . 8 ohms  
Resonance . . . . . 75.72 Hz  
Power handling (IEC) . . . . 40 W  
Sensitivity (2.83V/1m) . . . . 87.2 dB  
  
Resistance (DC) . . . . . 6.46 ohms  
Inductance . . . . . 0.68 mH  
Xmax . . . . . ± 2.0 mm  
Qms . . . . . 3.12  
Qes . . . . . 0.42  
Qts . . . . . 0.37  
Vas . . . . . 3.34 l

Voice coil diam. . . . . 25 mm  
Voice coil length . . . . . 9 mm  
Former . . . . . kapton  
Layer(s) . . . . . 1  
Wire type . . . . . flat  
Force factor . . . . . 5.83 NA  
Moving mass . . . . . 4.69 gr  
  
Cone material . . . . . HDA  
Suspension . . . . . rubber  
Chassis . . . . . die cast  
Total mass . . . . . 0.90 kg

