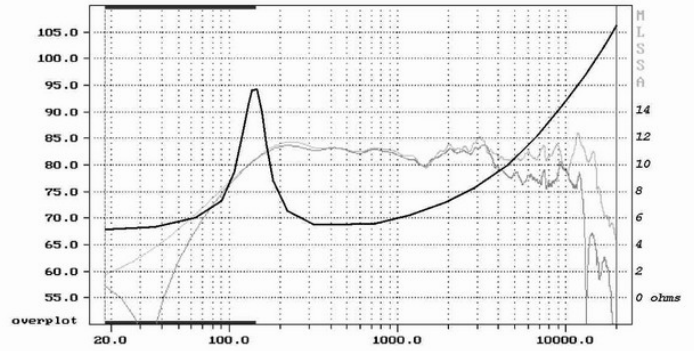
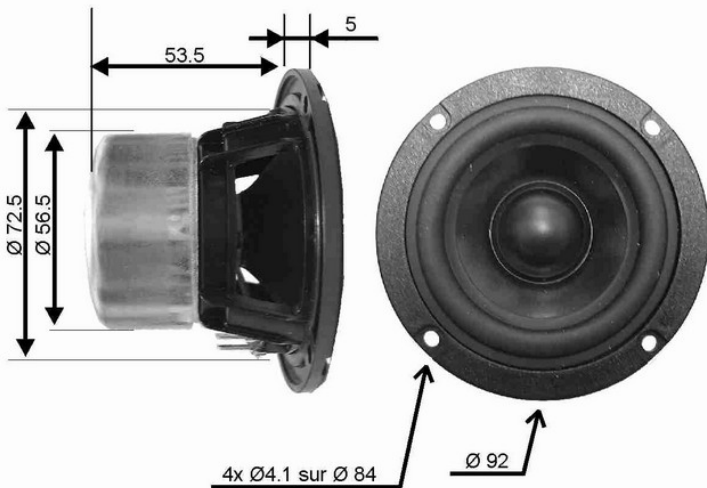


**3" Bass Midrange coated cone 6 ohms**

**AP080G0**

Fully shielded magnet system for audio/video applications  
Non resonant high impact polymere chassis  
High loss rubber surround



Nominal impedance... 6 ohms  
Resonance ..... 141.16 Hz  
Power handling (IEC) ..... 25 W  
Sensitivity (2.83V/1m) .... 82.6 dB  
  
Resistance (DC) ..... 4.93 ohms  
Inductance ..... 0.27 mH  
Xmax..... ± 1.6 mm  
Qms..... 2.96  
Qes ..... 1.44  
Qts..... 0.97  
Vas..... 0.61 l

Voice coil diam..... 20 mm  
Voice coil length..... 7.2 mm  
Former ..... aluminium  
Layer(s) ..... 2  
Wire type ..... round  
Force factor ..... 2.85 NA  
Moving mass ..... 2.67 gr  
  
Cone material ... coated paper  
Suspension ..... rubber  
Chassis ..... polymer  
Total mass ..... 0.30 kg

