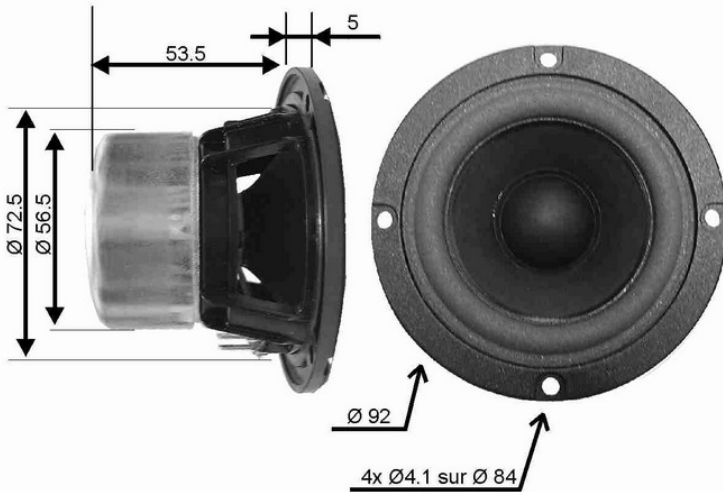


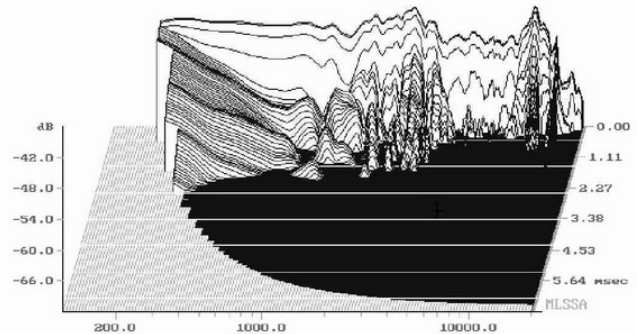
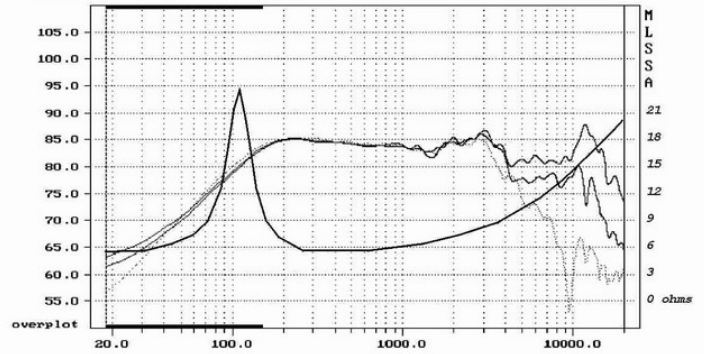


3" Bass Midrange paper cone 6 ohms

AP080M4



Fully shielded magnet system for audio/video applications
 Non resonant high impact polymere chassis
 Foam surround



Nominal impedance . . . 6 ohms	Voice coil diam. 20 mm
Resonance 123.63 Hz	Voice coil length. 7.2 mm
Power handling (IEC) 25 W	Former aluminium
Sensitivity (2.83V/1m) 83.2 dB	Layer(s) 2
	Wire type round
Resistance (DC) 4.74 ohms	Force factor 2.74 NA
Inductance 0.24 mH	Moving mass 2.44 gr
Xmax. ± 1.6 mm	
Qms. 3.59	Cone material paper
Qes 1.21	Suspension. foam
Qts. 0.91	Chassis polymer
Vas. 0.87 l	Total mass. 0.30 kg