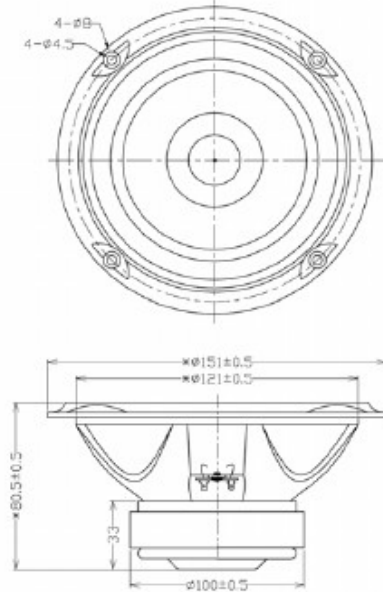


Full Range



Specifications & Thiele/Small Parameter

Impedance	: 8 Ohm	
Minimum Frequency Response	: 43 Hz	
Reproduction Frequency Response	: Fo~20K	
S.P.L.	: 86.732 dB/W(m)	
Rated Input	: 30 W	
Music Power	: 40 W	
Equivalent Diaphragm Radius	: 54 mm	
Equivalent Mass	: 8.137g	
Magnet Weight	: 450g	
Net Weight	: 1500g	
Fs	: 43.97Hz	
Re	: 6.2 Ohm	
Mms	: 8.67 g	
BL	: 5.255TM	
Qts	: 0.499	
Qms	: 6.968	
Qes	: 0.538	
Vas	: 19.367 Ltr	
Xmax	: 2.9 mm	
no	: 0.296%	
Material	Frame	: Cast
	Cone	: Wooden / Wooden
	Surround	: Rubber
	Damper	: CONEX (4Hole)
	VC DIA	: Φ30.5 KSV 0.22 CCAW
	Magnet	: Φ100×Φ60×15 Y30 Φ24.5×Φ12×4 N35
	Short Ring	: Cu Cap
Center Cap	: AL Phase Plug (Glod)	



MODEL: FR151B8-22F

