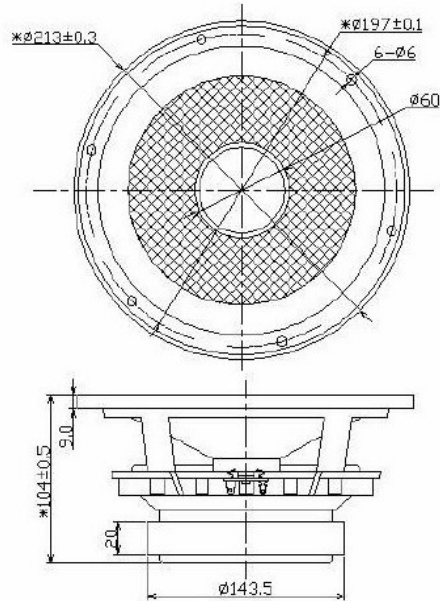


8" WOOFER



Model :FR213B8-10M

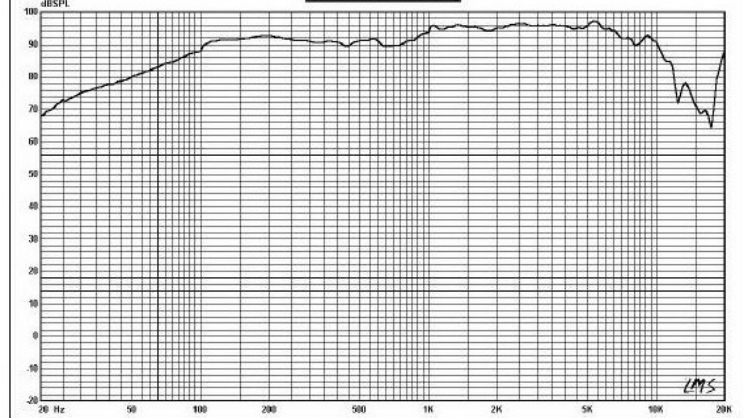


Specifications & Thiele/Small Parameters

Impedance	: 8 Ohm
Minimum Frequency Response	: 28Hz
Reproduction Frequency Response	: Fo~10K
S.P.L.	: 89.447 dB/W(m)
Rated Input	: 30 W
Music Power	: 50 W
Equivalent Diaphragm Radius	: 104 mm
Equivalent Mass	: 30.553 g
Magnet Weight	: 1400 g
Net Weight	: 3890g
Fs	: 28.121 Hz
Re	: 7.2 Ohm
Mms	: 32.278 g
BL	: 13.163 TM
Qts	: 0.203
Qms	: 1.419
Qes	: 0.237
Vas	: 60.967 Ltr
Xmax	: 4 mm
no	: 0.553%
Frame	: CAST
Cone	: CARBON FIBER
Surround	: RUBBER
Damper	: CONEX
VC DIA	: 35 ASV 0.21 SV
Magnet	: $\phi 145 * \phi 50 * 20$ Y30

Material

SPL vs Freq



Impedance vs Freq

