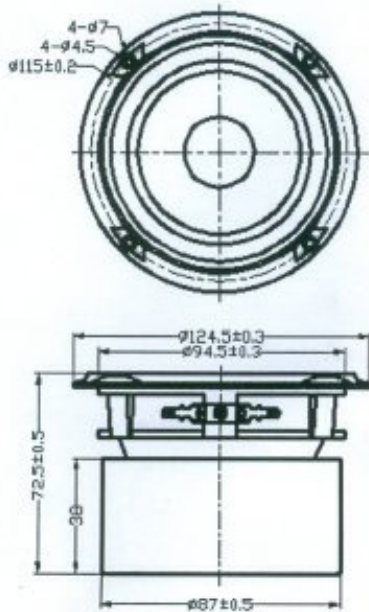


12cm 25mm Wood



**HR124B8-10L**

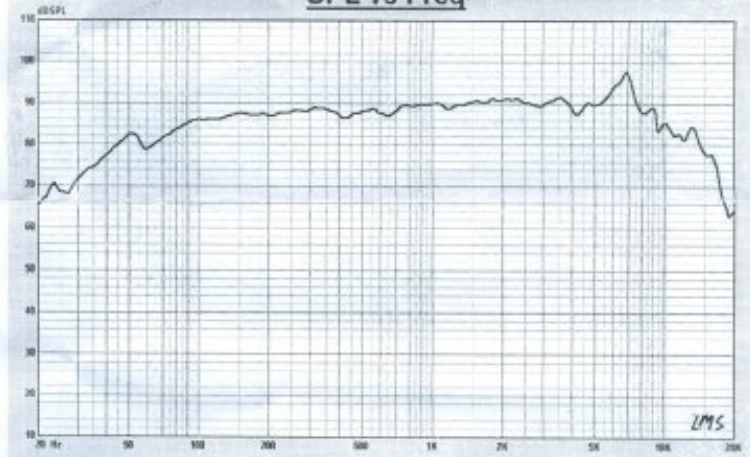


**Specifications  
&  
Thiele/Small Parameter**

Impedance	: 8 Ohm
Minimum Frequency Response	: 78 Hz
Reproduction Frequency Response	: Fo~12K
S.P.L.	: 87.753 dB/W(m)
Rated Input	: 20 W
Music Power	: 30 W
Equivalent Diaphragm Radius	: 43 mm
Equivalent Mass	: 5.350 g
Magnet Weight	: 500g
Net Weight	: 1065g
Fs	: 78.927Hz
Re	: 6.2 Ohm
Mms	: 5.672 g
BL	: 5.403TM
Qts	: 0.511
Qms	: 3.538
Qes	: 0.597
Vas	: 4.707 Ltr
Xmax	: 2 mm
no	: 0.375%
Frame	: Cast
Cone	: Wooden
Surround	: Rubber
Damper	: Conex
VC DIA	: 1"
Magnet	: 11.1 oz 6.4oz

Material

SPL vs Freq



Impedance vs Freq

