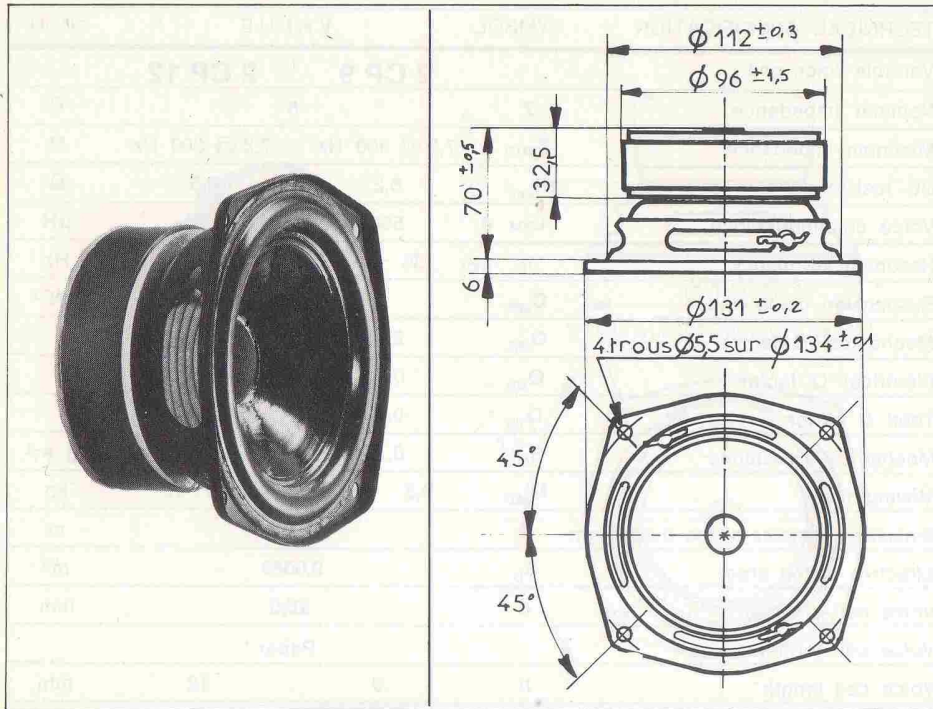


HD 13 B 25 H

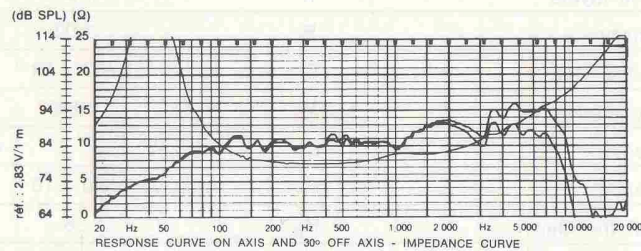
13 cm - 5"

BASS MIDRANGE

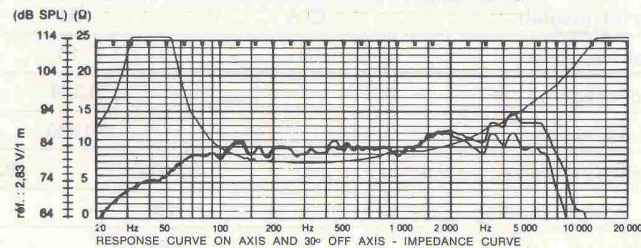


2 CP 9

Variable voice coil



2 CP 12



Bass-midrange high quality speaker: isotropic Bextrene cone, treated with Plastiflex. Particularly remarkable sound reproduction in the mid-range.

HD 13 B 25 H

13 cm - 5"

TECHNICAL SPECIFICATION	SYMBOL	VALUE	UNIT
Variable voice coil		2 CP 9 2 CP 12	
Nominal impedance	Z	8	Ω
Minimum impedance	Z _{min}	7,5 @ 400 Hz 7,8 @ 300 Hz	Ω
DC resistance	R _{sec}	6,2 6,6	Ω
Voice coil inductance	L _{BM}	485 625	μH
Resonant frequency	f _s	36 ± 5 35,0 ± 5	Hz
Suspension compliance	C _{MS}	2,1 · 10 ⁻³	mN ⁻¹
Mechanical Q factor	Q _{MS}	2,73 2,77	
Electrical Q factor	Q _{ES}	0,29 0,32	
Total Q factor	Q _{TS}	0,26 0,29	
Mechanical resistance	R _{MS}	0,77 0,83	kg s ⁻¹
Moving mass	M _{MD}	9,3 · 10 ⁻³ 10,2 · 10 ⁻³	kg
Emissive diameter of the diaphragm	D	0,107	m
Effective piston area	S _D	0,0089	m ²
Voice coil diameter	d	25,5	mm
Voice coil former		Paper	
Voice coil length	h	9 12	mm
Voice coil layers	n	2	
Flux density	B	1,53	T
Flux in the Gap	Ø	0,490 · 10 ⁻³	Wb
Magnetic energy	W	0,368	Ws
Force factor	BL	7,10 7,32	NA ⁻¹
Gap volume	V _E	0,395 · 10 ⁻⁶	m ³
Height of the Gap	H _E	4	mm
Diameter of magnet	Ø A	96	mm
Height of magnet	B	25	mm
Weight of magnet		0,725	kg
Mass of speaker		1,36	kg
Characteristic efficiency level	η	86 (W) 84,2 (W)	dB SPL
Nominal power handling		25 30	W
Acceleration factor	Γ	763 717	ms ⁻² A ⁻¹