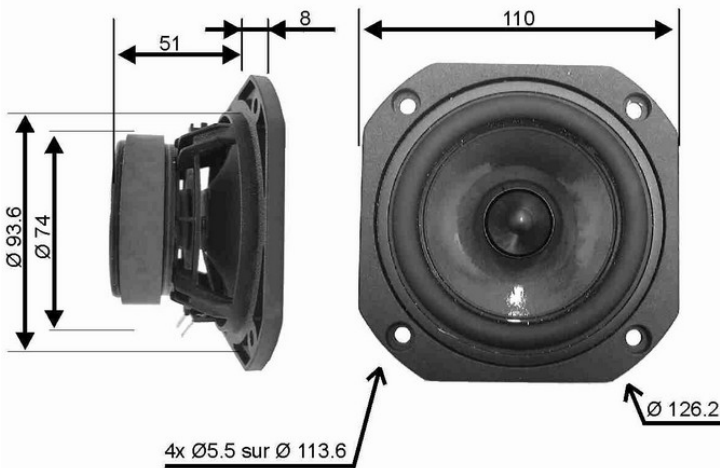
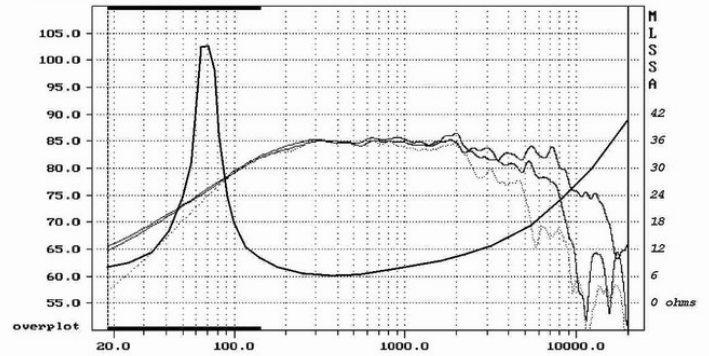


4" Bass Midrange HDA cone 8 ohms

HM100Z2



Non resonant die as chassis
High loss rubber surround
High temperature voice coil



Nominal impedance . . . 8 ohms	Voice coil diam. 25 mm
Resonance 70.24 Hz	Voice coil length 9 mm
Power handling (IEC) 40 W	Former kapton
Sensitivity (2.83V/1m) 86.5 dB	Layer(s) 1
	Wire type flat
Resistance (DC) 6.46 ohms	Force factor 5.39 NA
Inductance 0.68 mH	Moving mass 4.68 gr
Xmax ± 2.5 mm	
Qms 3.81	Cone material HDA
Qes 0.46	Suspension rubber
Qts 0.41	Chassis die cast
Vas 3.89 l	Total mass 0.70 kg

