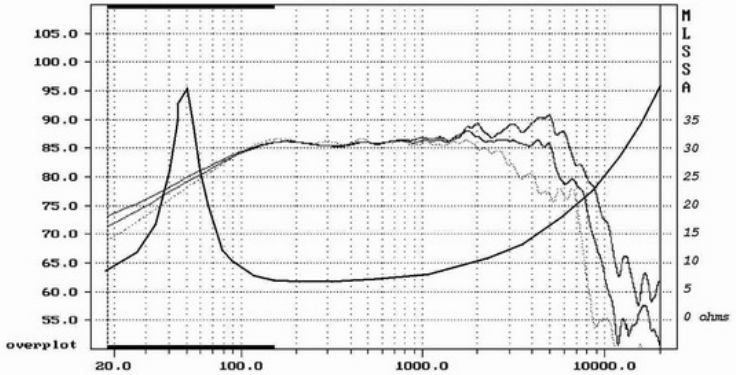
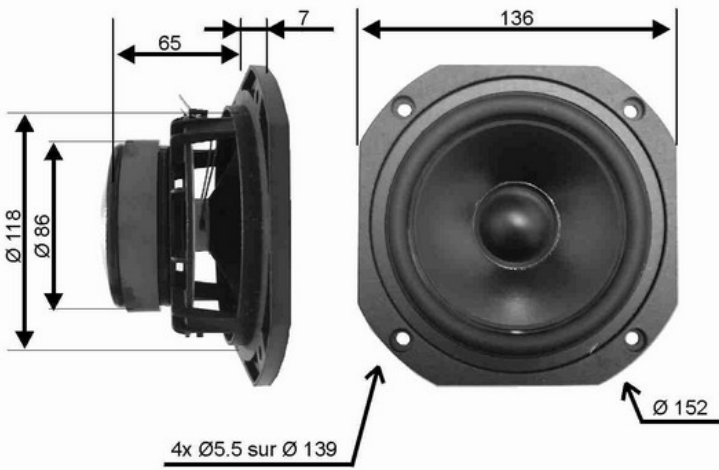




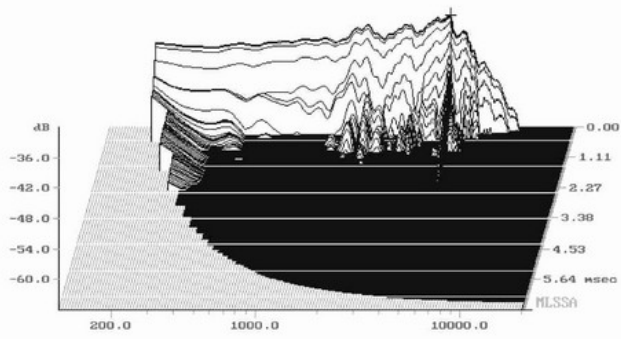
**5" Bass Midrange coated cone 8 ohms**

# HM130G14

Non resonant die as chassis  
High loss rubber surround  
High temperature voice coil



Nominal impedance . . . . . 8 ohms	Voice coil diam. . . . . 25 mm
Resonance . . . . . 57.08 Hz	Voice coil length . . . . . 11.2 mm
Power handling (IEC) . . . . . 50 W	Former . . . . . kapton
Sensitivity (2.83V/1m) . . . . . 86.4 dB	Layer(s) . . . . . 1
	Wire type . . . . . flat
Resistance (DC) . . . . . 6.07 ohms	Force factor . . . . . 5.72 NA
Inductance . . . . . 0.54 mH	Moving mass . . . . . 8.58 gr
Xmax. . . . . ± 3.1 mm	
Qms . . . . . 2.98	Cone material . . . . . coated paper
Qes . . . . . 0.57	Suspension . . . . . rubber
Qts . . . . . 0.48	Chassis . . . . . die cast
Vas . . . . . 8.83 l	Total mass . . . . . 1.10 kg



Audax Industries - Château du Loir (72) - France  
Pho +33 2 43 38 42 00 - Fax + 33 2 43 44 12 02  
European web site : <http://www.audax.fr>