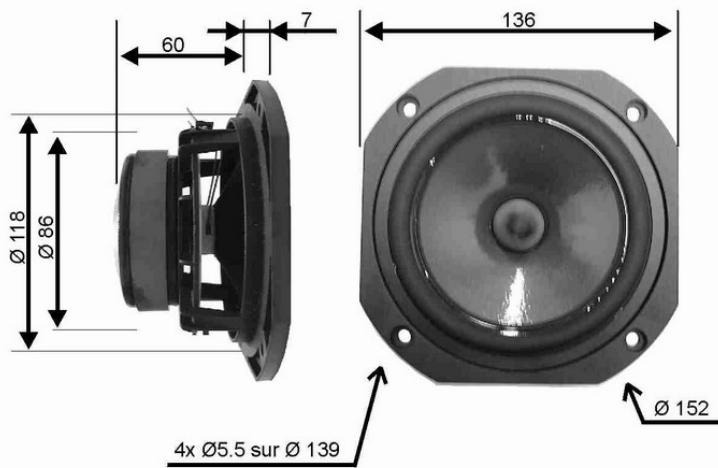


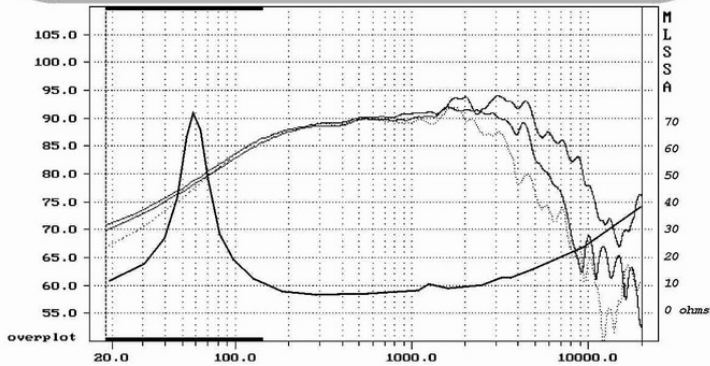


**5" Bass Midrange HDA cone 8 ohms**

**HM130Z10**



Non resonant die as chassis  
 High loss rubber surround  
 High temperature voice coil



Nominal impedance . . . 8 ohms	Voice coil diam. . . . . 25 mm
Resonance . . . . . 63.50 Hz	Voice coil length . . . . 11.2 mm
Power handling (IEC) . . . . 50 W	Former . . . . . kapton
Sensitivity (2.83V/1m) . . . . 90.2 dB	Layer(s) . . . . . 1
	Wire type . . . . . flat
Resistance (DC) . . . . . 6.20 ohms	Force factor . . . . . 7.16 NA
Inductance . . . . . 0.69 mH	Moving mass . . . . . 6.89 gr
Xmax. . . . . ± 2.0 mm	
Qms . . . . . 2.69	Cone material . . . . . HDA
Qes . . . . . 0.33	Suspension . . . . . rubber
Qts . . . . . 0.25	Chassis. . . . . die cast
Vas. . . . . 8.89 l	Total mass . . . . . 1.1 kg

