

**8" - PAPER CONE DRIVER - 210 mm**

CLASSIC SERIES

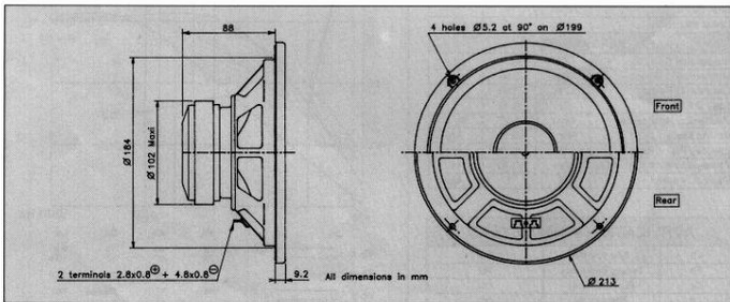
Extended bass response (Fs : 36 Hz)  
Paper cone  
Foam suspension  
Long excursion  
High temperature voice coil - 37 mm  
High efficiency (92 dB)  
Stamped steel chassis

Réponse étendue dans le grave (Fs : 36 Hz)  
Cône papier  
Suspension mousse  
Grande excursion  
Bobine haute température - 37 mm  
Haut rendement (92 dB)  
Châssis acier embouti

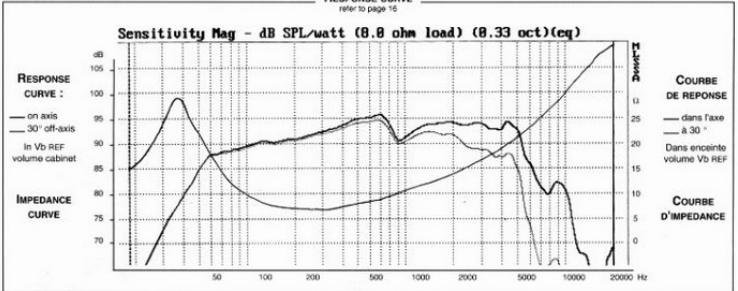


The paper cone foam surround of this 8" bass midrange offers a combination of extended frequency response, low resonance and high sensitivity. Ideally suited for 2-way and 3-way systems. The high temperature 11/2" voice coil ensures superior power handling capacity. The thiele and small parameters make this driver ideally suited for bass-reflex application (FS/QTS : 100). The "Suggested applications" charts indicate various driver loads, including the box alignment used to measure the response curve (Vb REF). The response curves shown on the diagram indicate the predicted low end response of the driver in the suggested box volume (Vb) with suggested port (Dp-Lp).

Équipé d'un cône en papier et d'une suspension mousse, ce haut-parleur de 210 mm est idéal pour une enceinte 2 voies ou 3 voies de qualité et de bon rendement. Sa bobine haute température de 37 mm sur support aluminium lui confère une excellente tenue en puissance. Ses paramètres le destinent particulièrement à l'utilisation en bass-reflex (FS/QTS : 100). Le tableau "Suggested applications" indique différents types de charge dont celui utilisé pour la mesure de la courbe de réponse (Vb REF). Les courbes publiées correspondent à la réponse dans le grave pour un volume (Vb) et une dimension d'évent donnée (Vp-Lp).



RESPONSE CURVE



**SPECIFICATIONS**

Technical Characteristics	Symbol	Value	Units
---------------------------	--------	-------	-------

PRIMARY APPLICATION			
Nominal Impedance	Z	8	Ω
Resonance Frequency	Fs	36	Hz
Nominal Power Handling	P	80	W
Sensitivity	E	92	dB

VOICE COIL			
Voice coil diameter	Ø	37	mm
Minimum Impedance	Zmin	7.7	Ω
DC Resistance	Re	6.3	Ω
Voice Coil Inductance	Lbm	0.51	mH
Voice coil Length	h	15	mm
Former		Aluminium	-
Number of layers	n	2	-

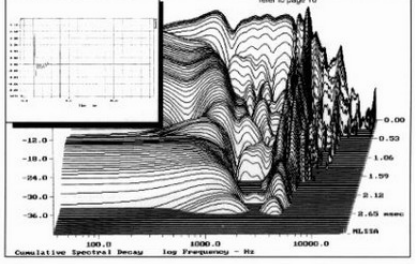
MAGNET			
Magnet dimensions	Ø x h	100 x 18	mm
Magnet weight	m	0.55	kg
Flux density	B	1	T
Force factor	BL	6.9	NA <sup>-1</sup>
Height of magnetic gap	He	6	mm
Stray flux	Fmag	-	Am <sup>-1</sup>
Linear excursion	Xmax	±4.5	mm

PARAMETERS			
Suspension Compliance	Cms	1.3 · 10 <sup>-3</sup>	mN
Mechanical Q Factor	Qms	1.70	-
Electrical Q Factor	Qes	0.44	-
Total Q Factor	Qts	0.35	-
Mechanical Resistance	Rms	2	kg s <sup>-1</sup>
Moving Mass	Mms	15 · 10 <sup>-3</sup>	kg
Effective Piston Area	S	2.52 · 10 <sup>-2</sup>	m <sup>2</sup>
Volume Equivalent of Air at Cas	Vas	103 · 10 <sup>-3</sup>	m <sup>3</sup>
Mass of speaker	M	1.75	kg

**APPLICATION PARAMETERS**

Symbol	Description	Unit
Vb	Box volume	dm <sup>3</sup>
Fb	Tuning frequency	Hz
Dp	Port diameter	cm
Lp	Port length	cm

IMPULSE RESPONSE



SUGGESTED APPLICATIONS

