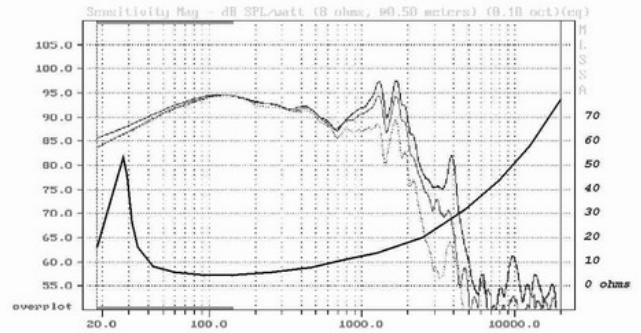
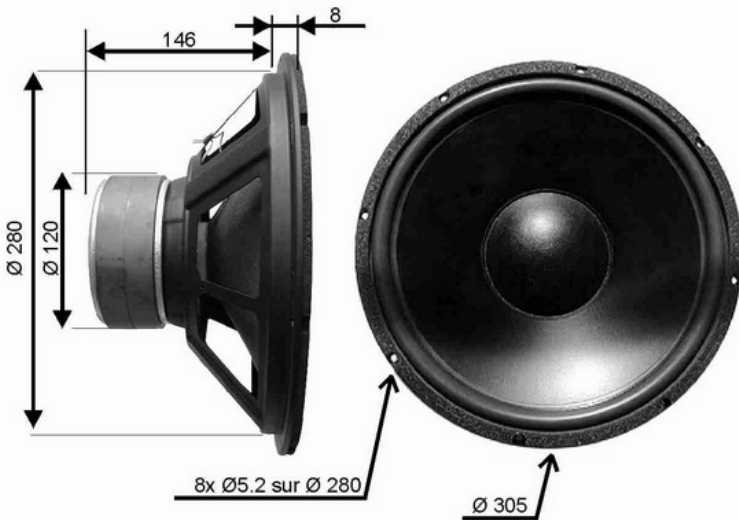




12" Boomer HDA 4 ohms

HT300Z2

High efficiency and power handling
 Heavy duty stamped steel chassis
 Usage : audio/video theater and bass systems



Nominal impedance . . . 4 ohms
 Resonance 31.48 Hz
 Power handling (IEC) 120 W
 Sensitivity (2.83V/1m) 93.4 dB
 Resistance (DC) 3.23 ohms
 Inductance 1.13 mH
 Xmax ± 8 mm
 Qms 9.16
 Qes 0.35
 Qts 0.34
 Vas 162.49 l

Voice coil diam. 45 mm
 Voice coil length 22 mm
 Former kapton
 Layer(s) 2
 Wire type Round
 Force factor 10.79 NA
 Moving mass 64.22 gr
 Cone material HDA
 Suspension foam
 Chassis steel
 Total mass 4.3 kg

