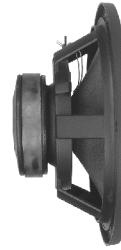


WOOFER

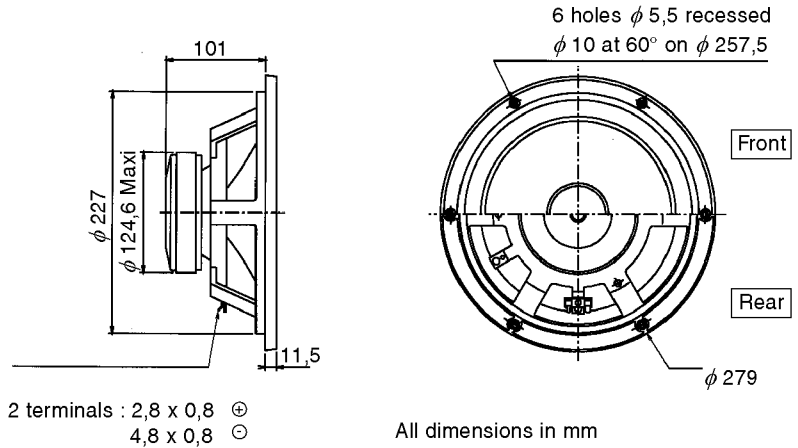
1437P

Feb. 98

**10" HDA CONE DRIVER - 240 mm - 8**

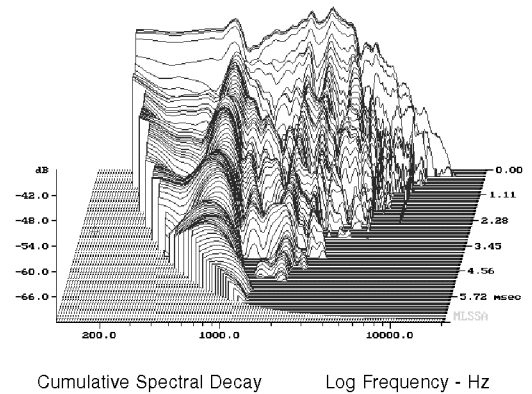
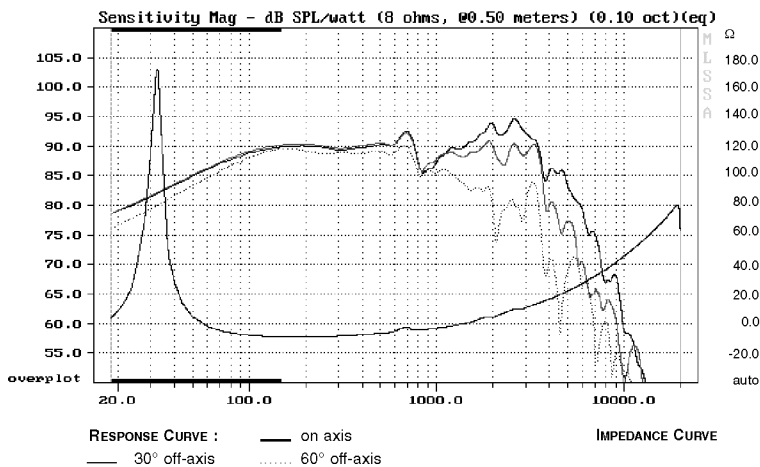


- HDA (High Definition Aerogel) laminated cone
- High loss- long excursion suspension
- Vented pole piece
- Black zinc plated top/bottom plate for high heat dissipation
- Fiber glass reinforced kapton former
- Flat copper wire
- Gold plated terminals
- Ultra-stiff die cast chassis



**Response Curve**

**Waterfall**



SPECIFICATIONS			
Technical characteristics	Symbol	Value	Units
<b>PRIMARY APPLICATION</b>			
Nominal Impedance	Z	8	Ω
Resonance Frequency	Fs	35	Hz
Nominal Power Handling	P	100	W
Sensitivity	E	90	dB
<b>VOICE COIL</b>			
Voice Coil Diameter	φ	48	mm
Minimum Impedance	Zmin	6,5	Ω
DC Resistance	Re	6	Ω
Voice Coil Inductance	Lbm	1,11	mH
Voice Coil Length	h	14	mm
Former	-	kapton	-
Number of Layers	n	1	-

MAGNET			
Magnet Dimensions	φ x h	120 x 20	mm
Magnet Weight	m	0,88	kg
Flux Density	B	1	T
Force Factor	BL	12	NA <sup>-1</sup>
Height of Magnetic Gap	He	6	mm
Stray Flux	Fmag	-	Am <sup>-1</sup>
Linear Excursion	Xmax	±4	mm
PARAMETERS			
Suspension Compliance	Cms	52,1.10 <sup>-3</sup>	mN <sup>-1</sup>
Mechanical Q Factor	Qms	11,7	-
Electrical Q Factor	Qes	0,39	-
Total Q Factor	Qts	0,38	-
Mechanical Resistance	Rms	-	kg s <sup>-1</sup>
Moving Mass	Mms	45.10 <sup>-3</sup>	kg
Effective Piston Area	S	3,58.10 <sup>-2</sup>	m <sup>2</sup>
Volume Equivalent of Air at Cas	Vas	82.10 <sup>-3</sup>	m <sup>3</sup>
Mass of Speaker	M	3,6	kg

**Suggested Applications**

Vb	Fb	Dp	Lp	F-3
liters	Hz	cm	cm	Hz
45	39	6,6	6,1	42
60	36	6,6	8	36