

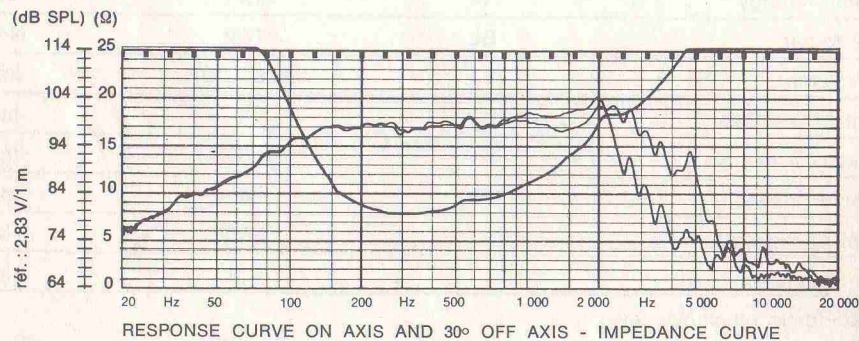
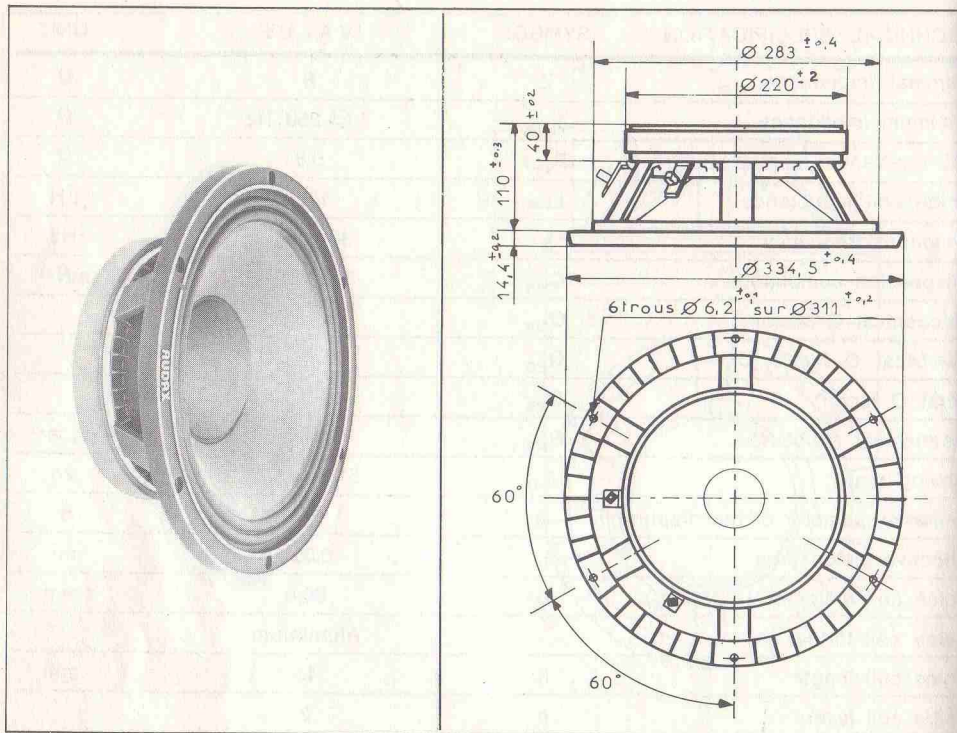
PR 33 S 100 V S T

33 cm - 13"

BASS MIDRANGE

PR 33 S 100

33 cm - 13"



Low midrange loudspeaker particularly intended to be used in bass-reflex systems. Professional series. Zamac die cast chassis. Its 100 mm diameter moving coil on Nomex former and super-powerful 220 mm diameter magnet system, ensure exceptional power handling coupled with very high efficiency.

TECHNICAL SPECIFICATION	SYMBOL	VALUE	UNIT
Nominal impedance	Z	8	Ω
Minimum impedance	Z _{min}	7,4 @ 300 Hz	Ω
DC resistance	R _{scc}	5,5	Ω
Voice coil inductance	L _{BM}	1430	μH
Resonant frequency	f _s	34 ± 5	Hz
Suspension compliance	C _{MS}	4,6 · 10 ⁻⁴	mN ⁻¹
Mechanical Q factor	Q _{MS}	1,53	
Electrical Q factor	Q _{ES}	0,09	
Total Q factor	Q _{TS}	0,09	
Mechanical resistance	R _{MS}	6,5	kg s ⁻¹
Moving mass	M _{MD}	47,6 · 10 ⁻³	kg
Emissive diameter of the diaphragm	D	0,26	m
Effective piston area	S _D	0,053	m ²
Voice coil diameter	d	100	mm
Voice coil former		Nomex	
Voice coil length	h	14	mm
Voice coil layers	n	2	
Flux density	B	1,5	T
Flux in the Gap	∅	3,30 · 10 ⁻³	Wb
Magnetic energy	W	2,95	Ws
Force factor	BL	26	NA ⁻¹
Gap volume	V _E	3,298 · 10 ⁻⁶	m ³
Height of the Gap	H _E	7	mm
Diameter of magnet	∅ A	220	mm
Height of magnet	B	23	mm
Weight of magnet		3,140	kg
Mass of speaker		10	kg
Characteristic efficiency level :			
1 W, pink noise, weighted	η	103 (PR)	dB SPL
Nominal power handling		200	W
Acceleration factor	Γ	546	ms ⁻² A ⁻¹