

AUDAX

LA PASSION DU HAUT-PARLEUR

PR380M0

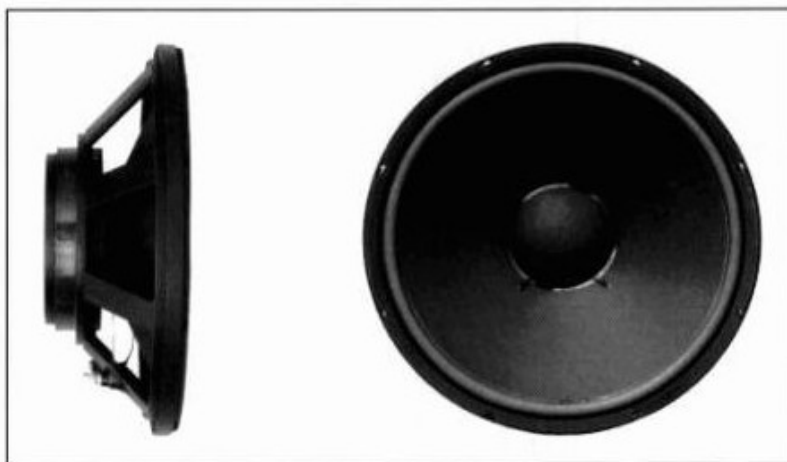
WOOFER

100917R

15" - PAPER CONE DRIVER - 380 mm**PROFESSIONAL LINE**

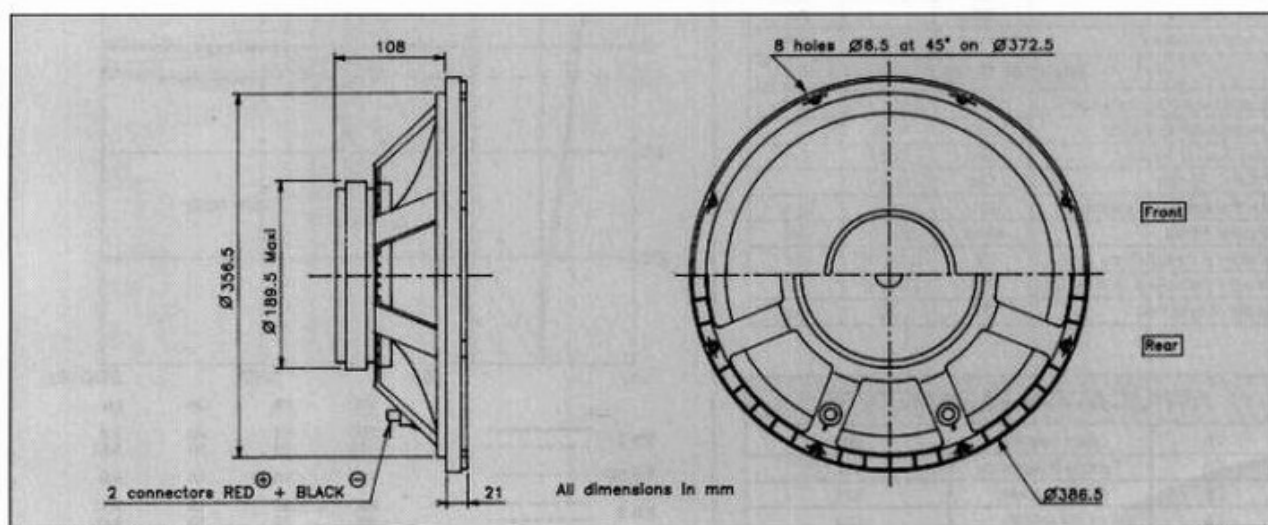
Very high efficiency - 100 dB
 High power 150 W
 Foam suspension
 Ultra stiff die cast chassis
 Heat sink design
 Vented pole piece
 Kapton voice coil former (70 mm Ø)
 Gold plated binding post

Très haut rendement - 100dB
 Puissance élevée 150 W
 Suspension mousse
 Châssis moulé ultra-rigide
 Ailettes de refroidissement - Noyau ventilé
 Bobine sur support Kapton (Ø 70 mm)
 Fil cuivre plat sur chant
 Bornes plaquées or

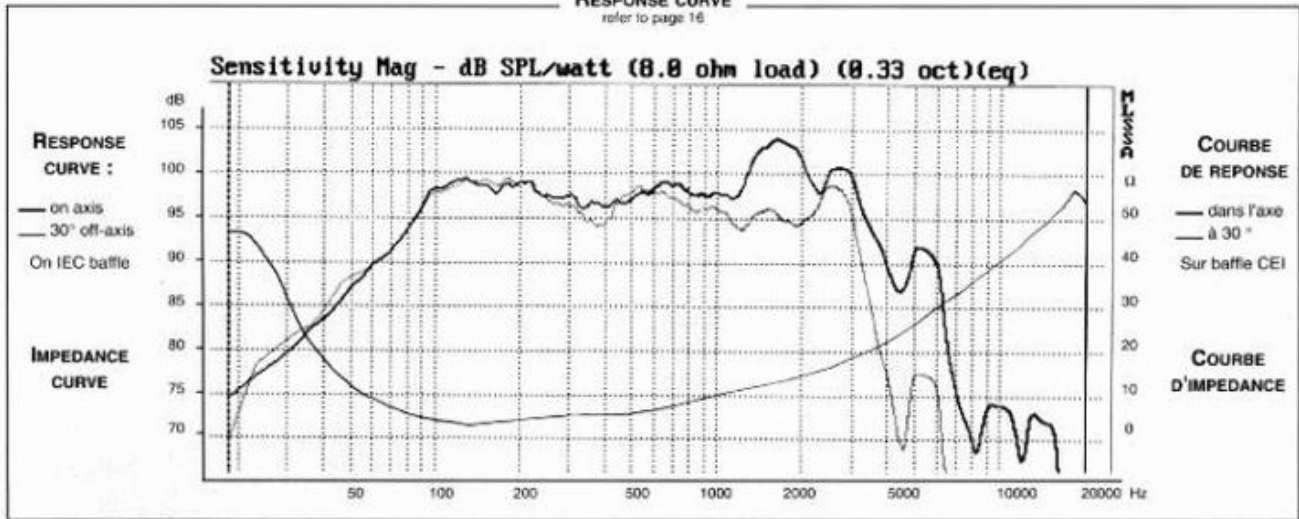


This 15" Woofer is especially designed for high quality studio monitoring systems and offers large excursion capabilities for deep bass (Large half-roll foam surround). Mounted in a QB3 alignment vented box, the system can produce strong, distortion free bass down to 30 Hz. The large magnet has a vented pole piece and is heatsinked to the Zamak chassis to maximize heat dissipation. A long, flat, edgewound copper wire voice coil is mounted onto a fiberglass reinforced Kapton former for exceptional power handling. Gold plated binding posts fitted onto the Ultra stiff die cast chassis are designed to accept large diameter cables. The "suggested applications" charts indicate various driver loads. The response curves shown on the diagram indicate the predicted low end response of the driver in the suggested box volume (Vb) with suggested port (Dp-Lp).

Ce haut-parleur de grave de 380 mm est particulièrement destiné à une utilisation en studio monitor. La suspension demi-rouleau en mousse permettant de grandes élongations est associée à une bobine longue sur support Kapton renforcé fibre de verre à fil de cuivre plat sur chant. Le saladier à ailettes de refroidissement ainsi que le noyau ventilé permettent une dissipation optimale de la chaleur. Il en résulte un rendu des graves sans distorsion jusqu'à 30 Hz avec un alignement QB3. Le châssis Zamak moulé est équipé de bornes plaquées or permettant l'utilisation de câbles de forte section. Le tableau "Suggested applications" indique différents types de charge. Les courbes publiées correspondent à la réponse dans le grave pour un volume (Vb) et une dimension d'évent donnée (Dp-Lp).

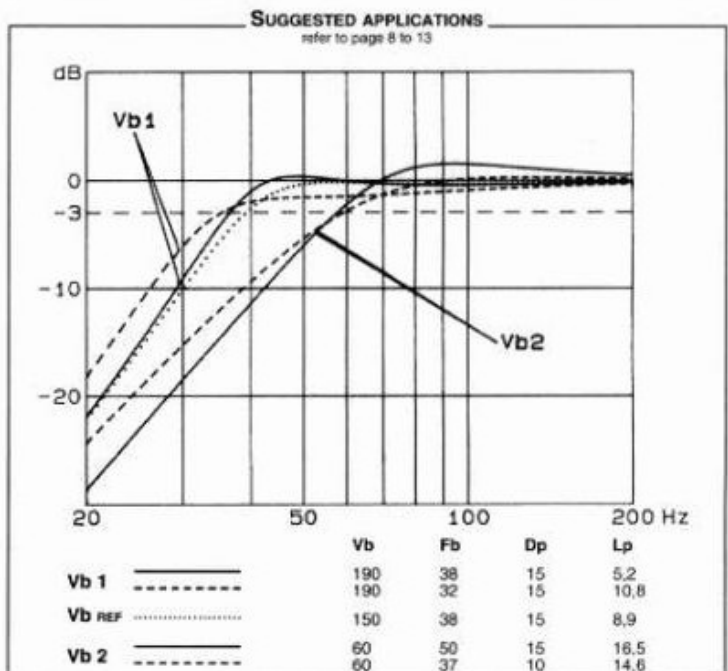
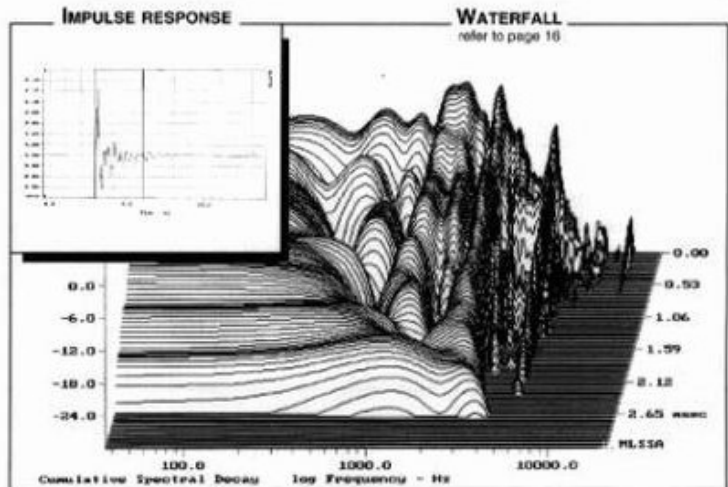


RESPONSE CURVE
refer to page 16



SPECIFICATIONS			
Technical Characteristics	Symbol	Value	Units
PRIMARY APPLICATION			
Nominal Impedance	Z	8	Ω
Resonance Frequency	Fs	20	Hz
Nominal Power Handling	P	150	W
Sensitivity	E	98	dB
VOICE COIL			
Voice coil diameter	\varnothing	70	mm
Minimum Impedance	Zmin	7	Ω
DC Resistance	Re	6,1	Ω
Voice Coil Inductance	Lbm	0,74	mH
Voice coil Length	h	14,6	mm
Former	-	Kapton	-
Number of layers	n	1	-
MAGNET			
Magnet dimensions	$\varnothing \times h$	184 x 20	mm
Magnet weight	m	1,91	kg
Flux density	B	1,2	T
Force factor	BL	19,2	NA ⁻¹
Height of magnetic gap	He	7	mm
Stray flux	Fmag	-	Am ⁻¹
Linear excursion	Xmax	$\pm 3,8$	mm
PARAMETERS			
Suspension Compliance	Cms	$0,62 \cdot 10^{-3}$	mN ⁻¹
Mechanical Q Factor	Qms	4,83	-
Electrical Q Factor	Qes	0,23	-
Total Q Factor	Qts	0,22	-
Mechanical Resistance	Rms	3	kg s ⁻¹
Moving Mass	Mms	$115 \cdot 10^{-3}$	kg
Effective Piston Area	S	$9 \cdot 10^{-2}$	m ²
Volume Equivalent of Air at Cas	Vas	$710 \cdot 10^{-3}$	m ³
Mass of speaker	M	7,8	kg

APPLICATION PARAMETERS		
Vb	Box volume	dm ³
Fb	Tuning frequency	Hz
Dp	Port diameter	cm
Lp	Port length	cm



Please refer to method of measurement and measurement conditions pages 15 to 19.
Audax may, without prior notification modify the specifications on its products further to research and development requirements.