

TM025F15 D08TTZ5470
101924Q

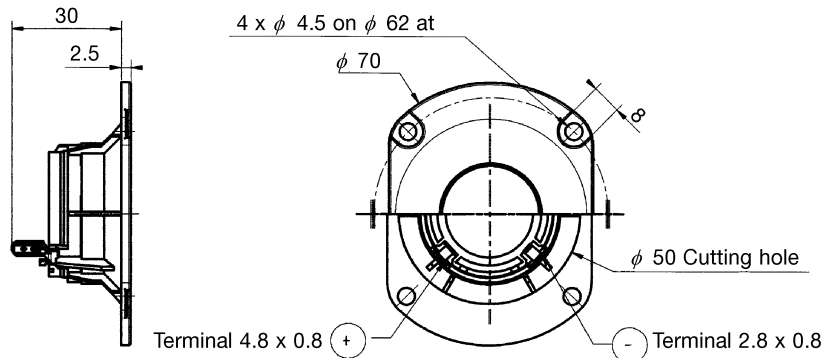
TWEETER

TM025 . Hi Fi . Rectangular Textile 8 Ω - High Efficiency

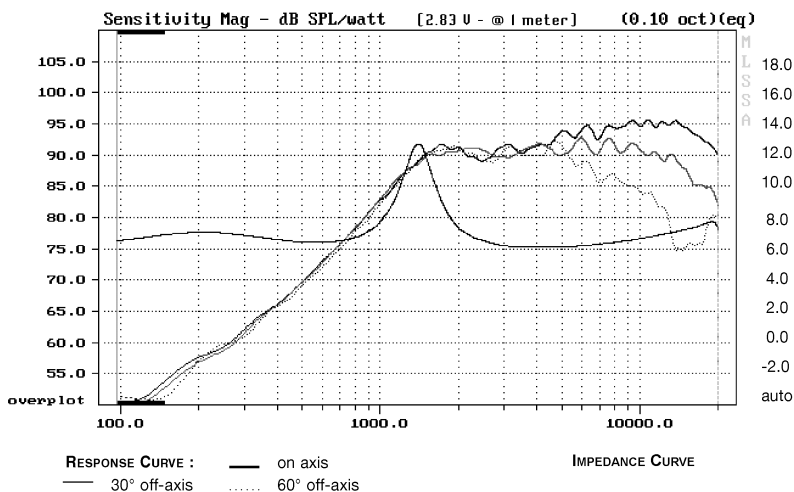


June .99

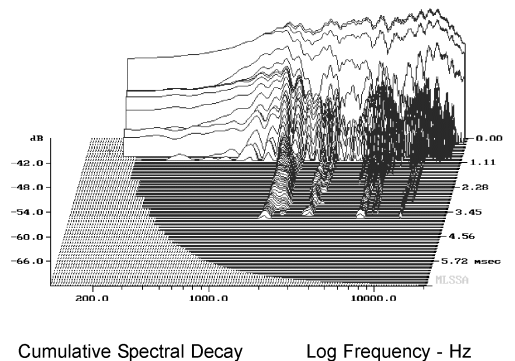
- Extremely high-efficiency (94 dB - 2,83 V 1m)
- High energy dual neodymium magnet
- Compact design for small high-end system, home theater, center channel, surround sound
- Smooth response face plate profile
- Critically damped catenary soft dome
- Ultra-light copper clad aluminium wire coil
- Compact overmoulded magnet system
- Inherently shielded
- Ferrofluid cooled voice coil (new generation - 250 cps)



Response Curve



Waterfall



SPECIFICATIONS

| Technical characteristics | Symbol | Value | Units |
|----------------------------|--------|-----------|-------|
| PRIMARY APPLICATION | | | |
| Nominal Impedance | Z | 8 | Ω |
| Nominal Power Handling | P | 70 | W |
| VOICE COIL | | | |
| Number of Layers | - | 2 | - |
| Wire type | - | round | - |
| Wire material | - | Aluminium | - |
| Former material | - | Aluminium | - |
| Voice coil winding height | - | 1,6 | mm |
| Voice coil diameter | ϕ | 25 | mm |

SPECIFICATIONS

| Technical characteristics | Symbol | Value | Units |
|-----------------------------|------------|--------|-------|
| PARAMETERS | | | |
| Sensitivity (2,83 V - 1m) | E | 94 | dB |
| Speaker Mass | m | 0,064 | kg |
| MAGNET | | | |
| Magnet dimensions | ϕ x h | 2x25x3 | mm |
| Magnetic Induction | B | 1,5 | T |
| Magnetic Stray Flux | Fmag | - | A/m |
| Gap Height | He | 1,5 | mm |
| Linear excursion Capability | Xmax | ±0,05 | mm |

Suggested Application

| Crossover Frequency | Slope | Inductance | Capacitor | Power Handling |
|---------------------|-----------|------------|-----------|----------------|
| Hz | dB / Oct. | mH | μF | W |
| 4600 | 6 | - | 5,6 | 50 |
| 2800 | 12 | 0,39 | 8,2 | 70 |