

TM025F9 D08TTZ5470  
101921N

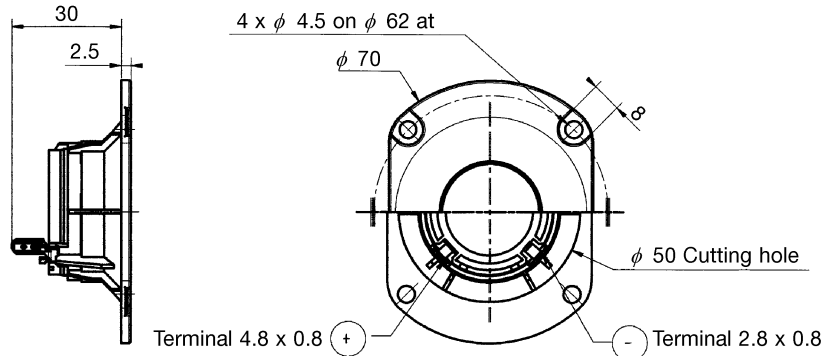
TWEETER

## TM025 . Hi Fi Rectangular . Textile 8 Ω

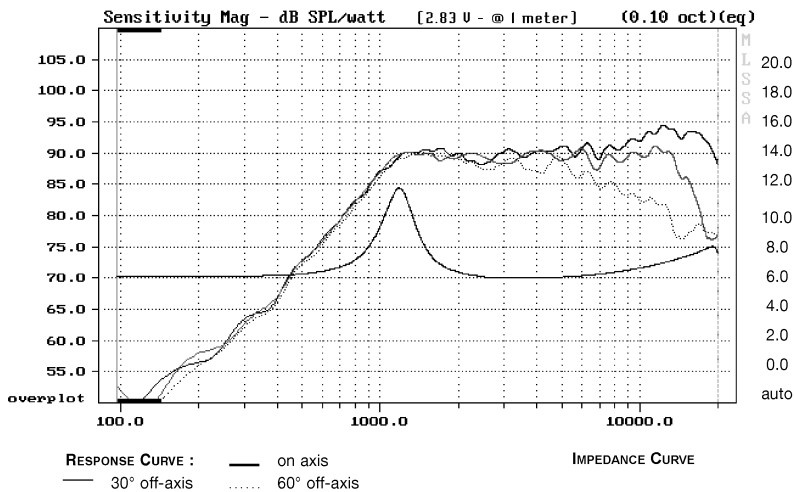


June '99

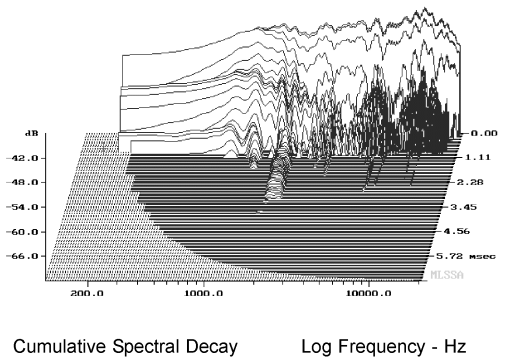
- Compact design for small high-end system, home theater, center channel, satellites, etc.
- Smooth response face plate profile
- High energy neodymium magnet (20 times ceramic magnet)
- Critically damped catenary soft dome
- Compact overmoulded magnet system Inherently shielded
- Ferrofluid cooled voice coil (new generation - 250 cps)



### Response Curve



### Waterfall



#### SPECIFICATIONS

Technical characteristics	Symbol	Value	Units
<b>PRIMARY APPLICATION</b>			
Nominal Impedance	Z	8	Ω
Nominal Power Handling	P	70	W
<b>VOICE COIL</b>			
Number of Layers	-	2	-
Wire type	-	round	-
Wire material	-	Copper	-
Former material	-	Aluminium	-
Voice coil winding height	-	1,6	mm
Voice coil diameter	$\phi$	25	mm

#### SPECIFICATIONS

Technical characteristics	Symbol	Value	Units
<b>PARAMETERS</b>			
Sensitivity (2,83 V - 1m)	E	91	dB
Speaker Mass	m	0,054	kg
<b>MAGNET</b>			
Magnet dimensions	$\phi$ x h	25x3	mm
Magnetic Induction	B	1,2	T
Magnetic Stray Flux	Fmag	-	A/m
Gap Height	He	1,5	mm
Linear excursion Capability	Xmax	±0,05	mm

### Suggested Application

Crossover Frequency	Slope	Inductance	Capacitor	Power Handling
Hz	dB / Oct.	mH	μF	W
4800	6	-	5,1	50
2700	12	0,39	8,2	70