

AUDAX

LA PASSION DU HAUT-PARLEUR

TW025A1

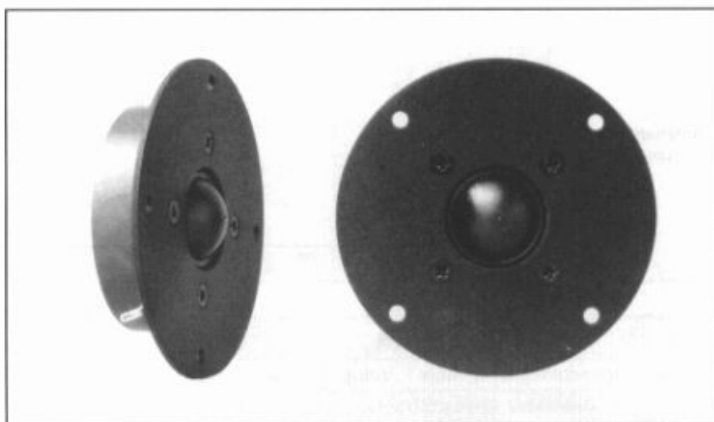
TWEETER

120969A

1" - SOFT DOME - 25 mm

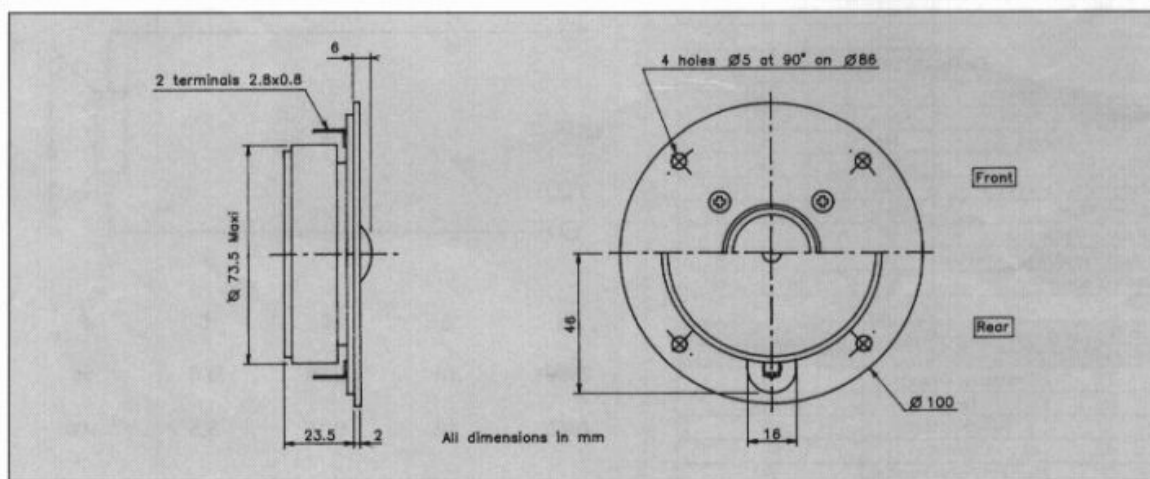
"Catenary" profile
Extended frequency response
Replaceable voice coil assembly
1" impregnated textile dome
Solid aluminium face plate
Good efficiency - 90 dB/W/m
Ferrofluid cooled voice coil

Dôme profil "chainette"
Bande passante exceptionnelle
Equipage mobile interchangeable
Dôme 25 mm textile
Face aluminium massif
Bon rendement - 90 dB/W/m
Bobine refroidie par ferrofluide



The "catenary" profile on our textile diaphragm provides maximum stiffness at the tip of the dome. The moving mass performs more like a perfect piston with no out of phase break up at the tip. The results are clear, smooth and transparent sound reproduction with high efficiency from 2 kHz to 20 kHz ± 2 dB and high power handling capacity of 70 Wrms. Easily coupled with 2nd order crossover as shown Fig 1. Two crossover points are suggested for adequate power handling.

Le profil "chainette" de ce dôme textile procure une rigidité maximale au sommet du dôme. L'ensemble mobile a donc un comportement proche du piston parfait, sans génération de modes parasites. Il en résulte une reproduction sonore claire, délicate et transparente. Le rendement est de 90 dB de 4 kHz à 20 kHz ± 2 dB, la tenue en puissance importante (70 W rms). Il peut être filtré au second ordre (12 dB/Oct) selon le schéma Fig 1. Deux fréquences de coupure sont proposées afin d'obtenir la tenue en puissance adéquate.



TW025A1 D08TTP0010

120970S

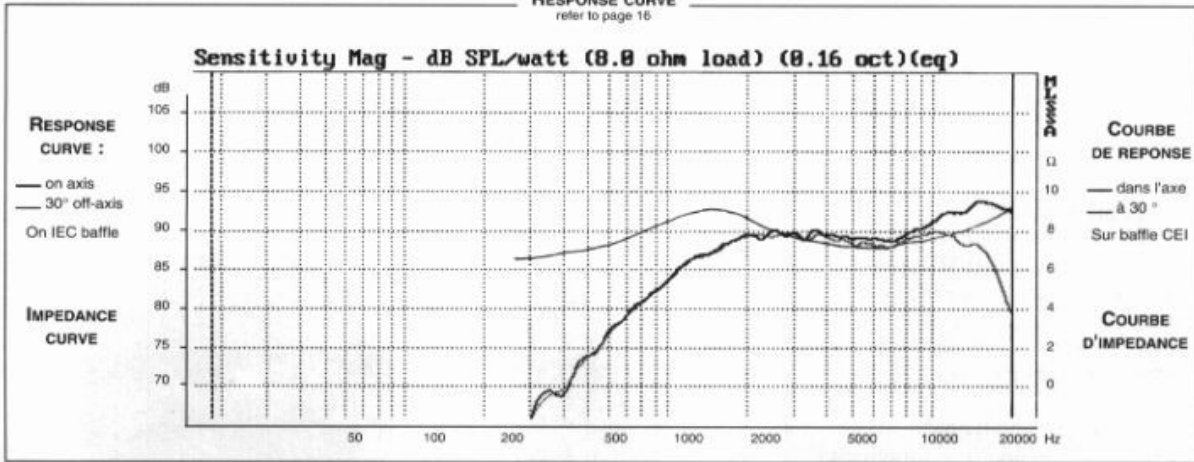
AUDAX

LA PASSION DU HAUT-PARLEUR

TW025A1

TWEETER

RESPONSE CURVE
refer to page 16



SPECIFICATIONS

Technical Characteristics	Symbol	Value	Units
---------------------------	--------	-------	-------

PRIMARY APPLICATION

Nominal Impedance	Z	8	Ω
Resonance Frequency	Fs	1200	Hz
Nominal Power Handling	P	70	W
Sensitivity	E	90	dB

VOICE COIL

Voice coil diameter	\varnothing	25	mm
Minimum Impedance	Zmin	7	Ω
DC Resistance	Re	5,8	Ω
Voice Coil Inductance	Lbm	13	μ H
Voice coil Length	h	1,6	mm
Former	-	Aluminium	-
Number of layers	n	2	-

MAGNET

Magnet dimensions	\varnothing x h	72 x 15	mm
Magnet weight	m	0,24	kg
Flux density	B	1,6	T
Force factor	BL	3,1	NA'
Height of magnetic gap	He	3	mm
Stray flux	Fmag	110	Am'
Linear excursion	Xmax	$\pm 0,3$	mm

PARAMETERS

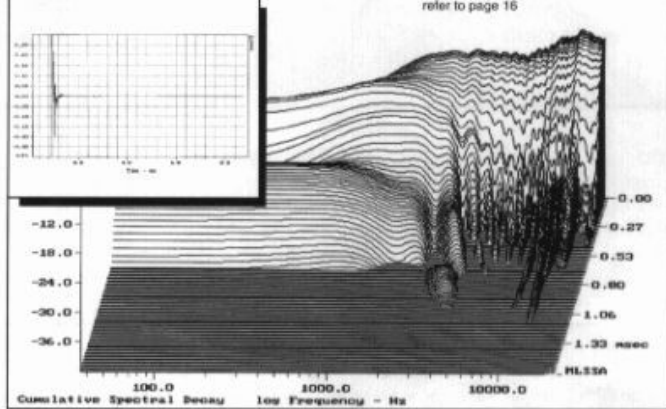
Suspension Compliance	Cms	-	mN ⁻¹
Mechanical Q Factor	Qms	-	-
Electrical Q Factor	Qes	-	-
Total Q Factor	Qts	-	-
Mechanical Resistance	Rms	-	kg s ⁻¹
Moving Mass	Mms	0,29.10 ⁻³	kg
Effective Piston Area	S	6,2.10 ⁻⁴	m ²
Volume Equivalent of Air at Cas	Vas	-	m ³
Mass of speaker	M	0,46	kg

APPLICATION PARAMETERS

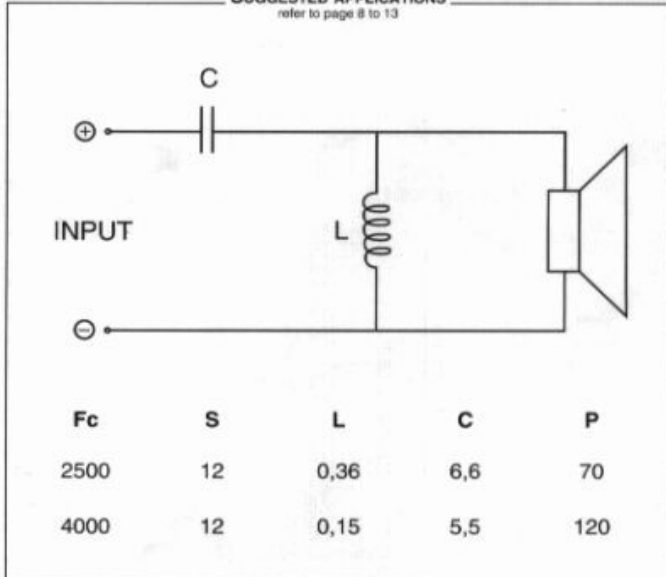
Fc	Crossover Frequency	Hz
S	Slope	dB / Oct.
L	Self-inductance	mH
C	Capacitor	μ F
P	Nominal Power Handling	W

IMPULSE RESPONSE

WATERFALL
refer to page 16



SUGGESTED APPLICATIONS
refer to page 8 to 13



Please refer to method of measurement and measurement conditions pages 15 to 19.

Audax may, without prior notification modify the specifications on its products further to research and development requirements.