

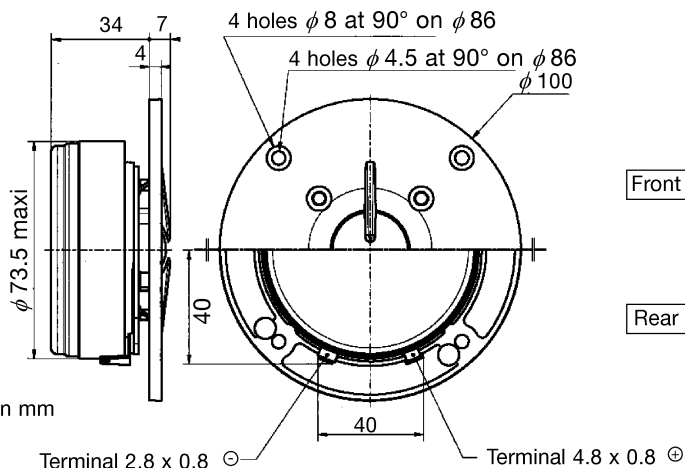
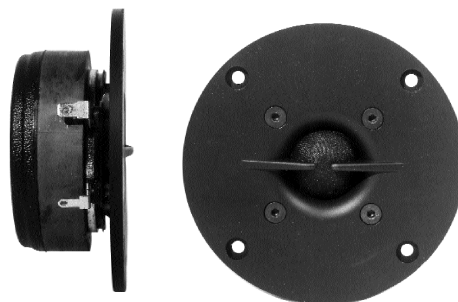
TWEETER

TW025A10 D04TTP0010
1021411

102301G

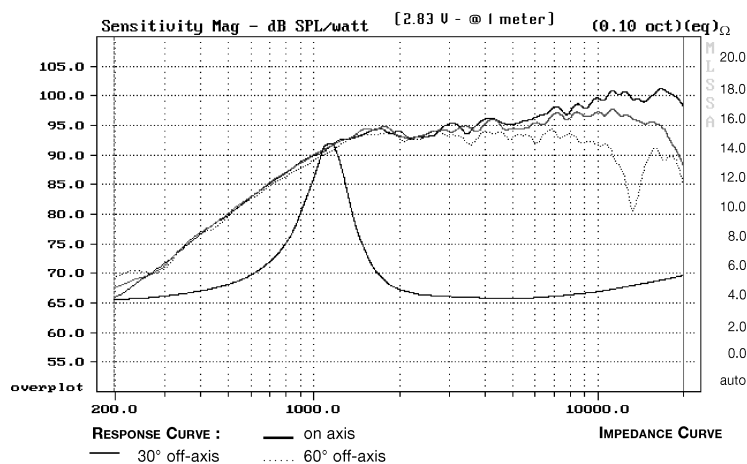
March .99

Hi Fi . Round . Textile . Cavity . 4 Ω

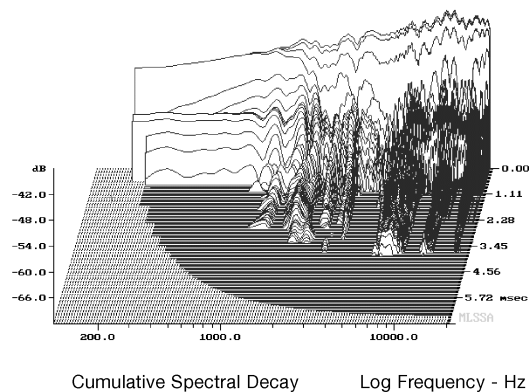


- Critically damped polyester based fabric dome coupled with polyethylene laminate
- Vented pole piece with double damping (front + vent)
- Solid zamack die cast face plate
- Ultra-light copper clad aluminium wire voice coil with braided wire
- Natural felt damped and tuned back chamber

Response Curve



Waterfall



SPECIFICATIONS

Technical characteristics	Symbol	Value	Units
PRIMARY APPLICATION			
Nominal Impedance	Z	4	Ω
Resonance Frequency	Fs	1126,3	Hz
Nominal Power Handling	P	60	W
Sensitivity (2,83 V - 1m)	E	96	dB
VOICE COIL			
Voice Coil Diameter	φ	25	mm
Minimum Impedance	Zmin	4,3	Ω
DC Resistance	Dcr	3,6	Ω
Voice Coil Inductance	Lbm	0,06	mH
Voice Coil Length	h	1,7	mm
Former	-	Aluminium	-
Number of Layers	n	2	-
Wire type	-	round	-
Wire material	-	Aluminium	-

MAGNET

Magnet Dimensions	φ x h	72 x 15	mm
Magnet Weight	m	0,245	g
Flux Density	B	1	T
Force Factor	BL	-	NA ⁻¹
Height of Magnetic Gap	He	1	mm
Stray Flux	Fmag	-	Am ⁻¹
Linear Excursion	Xmax	± 0,65	mm

PARAMETERS

Suspension Compliance	Cms	-	μm/N
Mechanical Q Factor	Qms	2,88	-
Electrical Q Factor	Qes	0,86	-
Total Q Factor	Qts	0,66	-
Mechanical Resistance	Rms	-	kg s ⁻¹
Moving Mass	Mms	-	g
Effective Piston Area	S	4,91	cm ²
Volume Equivalent of Air at Cas	Vas	-	liters
Mass of Speaker	M	600	g

Suggested Applications

Crossover Frequency	Slope	Inductance	Capacitor	Power Handling
Hz	dB / Oct.	mH	mF	W
6690	6	-	6,8	60
2650	12	0,3	12	60