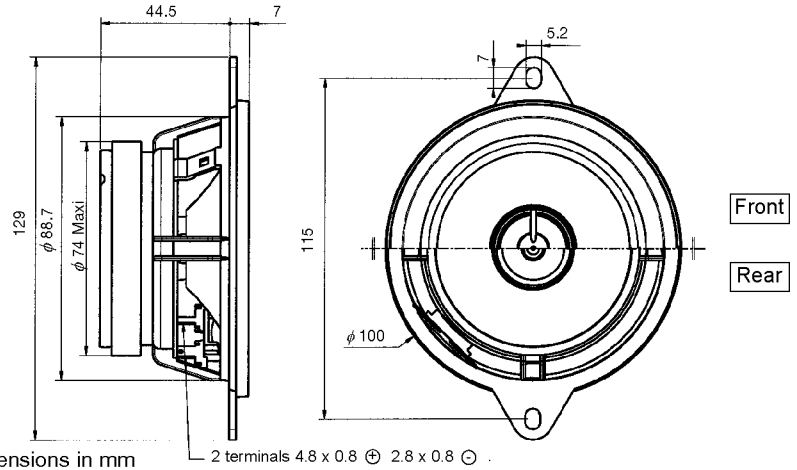


FULL RANGE

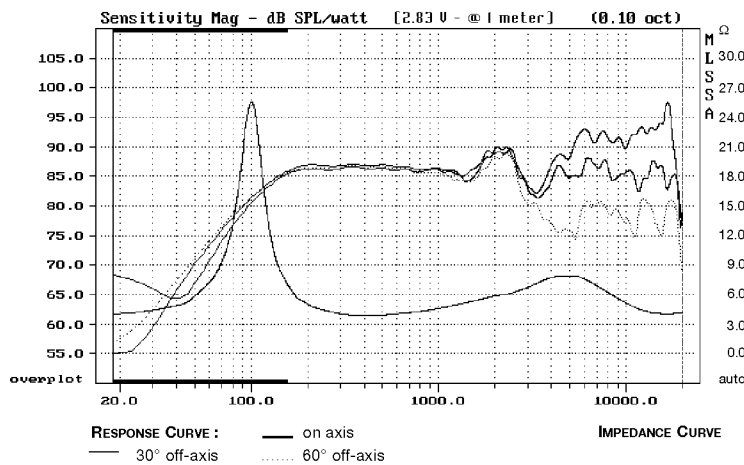
VP100Z2 X04ZGN2551
102190M

2 Way coaxial 4" - HDA cone High impact polymer chassis 10 mm Polymer dome

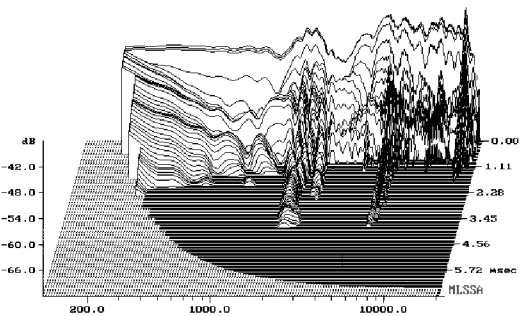


- HDA (High Definition Aerogel) cone
- Non resonant - corrosion- free - High impact polymer chassis
- High loss rubber surround
- Kapton Former voice coil
- Gold plated terminals
- 10 mm balanced drive polymer dome - neodymium magnet
- Built-in crossover (1st order)

Response Curve



Waterfall



Cumulative Spectral Decay Log Frequency - Hz

SPECIFICATIONS

Technical characteristics	Symbol	Value	Units
PRIMARY APPLICATION			
Nominal Impedance	Z	4	Ω
Resonance Frequency	Fs	99,02	Hz
Nominal Power Handling	P	40	W
Sensitivity (2,83 V - 1m)	E	86	dB
VOICE COIL			
Voice Coil Diameter	φ	25	mm
Minimum Impedance	Zmin	3,8	Ω
DC Resistance	Dcr	3,49	Ω
Voice Coil Inductance	Lbm	0,34	mH
Voice Coil Length	h	6,8	mm
Former	-	kapton	-
Number of Layers	n	2	-
Wire type	-	round	-
Wire material	-	copper	-

MAGNET

Magnet Dimensions	φ x h	72 x 10	mm
Magnet Weight	m	160	g
Flux Density	B	1	T
Force Factor	BL	3,36	NA ⁻¹
Height of Magnetic Gap	He	4	mm
Stray Flux	Fmag	-	Am ⁻¹
Linear Excursion	Xmax	±1,4	mm

PARAMETERS

Suspension Compliance	Cms	795	μm/N
Mechanical Q Factor	Qms	4,49	-
Electrical Q Factor	Qes	0,63	-
Total Q Factor	Qts	0,55	-
Mechanical Resistance	Rms	-	kg s ⁻¹
Moving Mass	Mms	3,25	g
Effective Piston Area	S	29,22	cm ²
Volume Equivalent of Air at Cas	Vas	0,95	liters
Mass of Speaker	M	0,5	kg

Suggested Applications

Vb	Fb	Dp	Lp	F-3
liters	Hz	cm	cm	Hz
-	-	-	-	-
-	-	-	-	-