

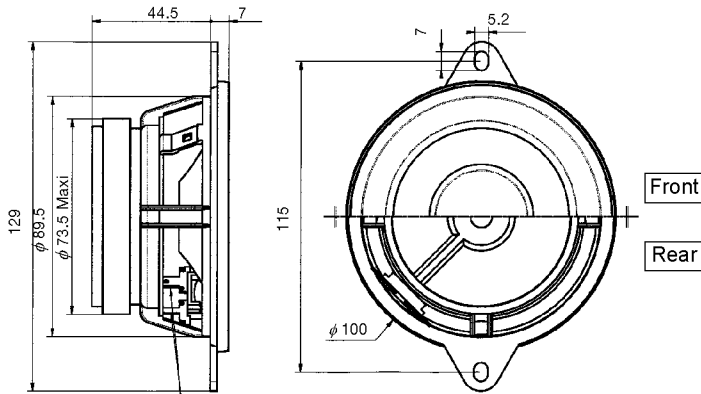
WOOFER MIDRANGE

VP100Z4 W04ZN2551
102437Q



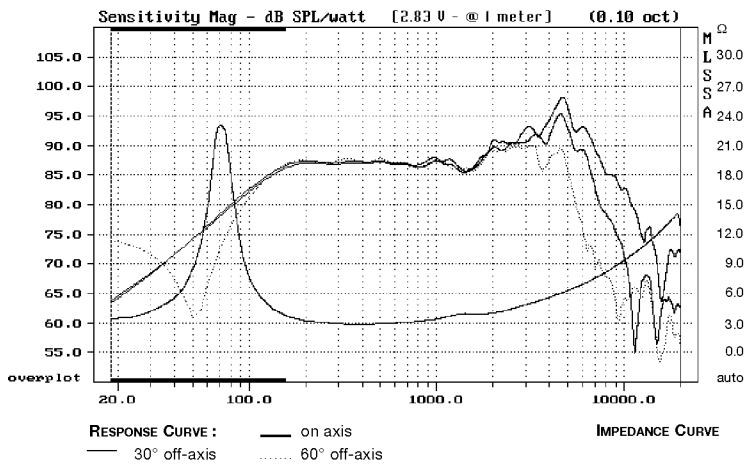
4" - HDA cone
High impact polymer chassis

- HDA (High Definition Aerogel) cone
- Compact woofer - Drop-in for high-end aftermarket installation
- High-loss rubber surround
- Kapton former voice coil
- Gold plated terminals
- Vented magnet system
- Non resonant, corrosion-free, High impact polymer chassis

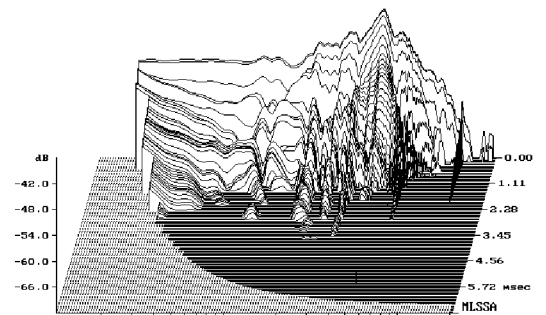


All dimensions in mm

Response Curve



Waterfall



Cumulative Spectral Decay Log Frequency - Hz

SPECIFICATIONS			
Technical characteristics	Symbol	Value	Units
PRIMARY APPLICATION			
Nominal Impedance	Z	4	Ω
Resonance Frequency	Fs	73,70	Hz
Nominal Power Handling	P	40	W
Sensitivity (2,83 V - 1m)	E	87	dB
VOICE COIL			
Voice Coil Diameter	ϕ	25	mm
Minimum Impedance	Zmin	3,9	Ω
DC Resistance	Dcr	3,37	Ω
Voice Coil Inductance	Lbm	0,24	mH
Voice Coil Length	h	6,8	mm
Former	-	kapton	-
Number of Layers	n	2	-
Wire type	-	round	-
Wire material	-	copper	-

MAGNET			
Magnet Dimensions	$\phi \times h$	72 x 10	mm
Magnet Weight	m	160	g
Flux Density	B	1	T
Force Factor	BL	3,66	NA ⁻¹
Height of Magnetic Gap	He	4	mm
Stray Flux	Fmag	-	Am ⁻¹
Linear Excursion	Xmax	$\pm 1,4$	mm
PARAMETERS			
Suspension Compliance	Cms	1132	$\mu\text{m/N}$
Mechanical Q Factor	Qms	4,0	-
Electrical Q Factor	Qes	0,48	-
Total Q Factor	Qts	0,43	-
Mechanical Resistance	Rms		kg s ⁻¹
Moving Mass	Mms	4,12	g
Effective Piston Area	S	50,27	cm ²
Volume Equivalent of Air at Cas	Vas	4,02	liters
Mass of Speaker	M	0,49	g

Suggested Applications

Vb	Fb	Dp	Lp	F-3
liters	Hz	cm	cm	Hz
3	68,3	3	13	82,7
5	69,9	3	6,5	66,4