

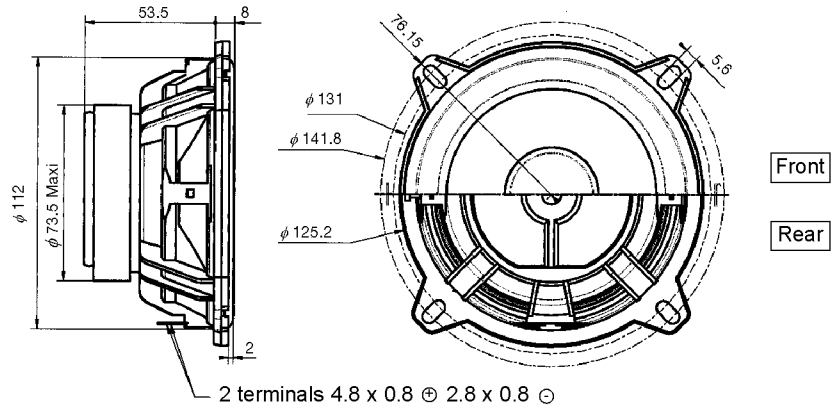
**WOOFER**

VP130Z0 W04ZGP2551  
102438R

102193P

Feb. 2000

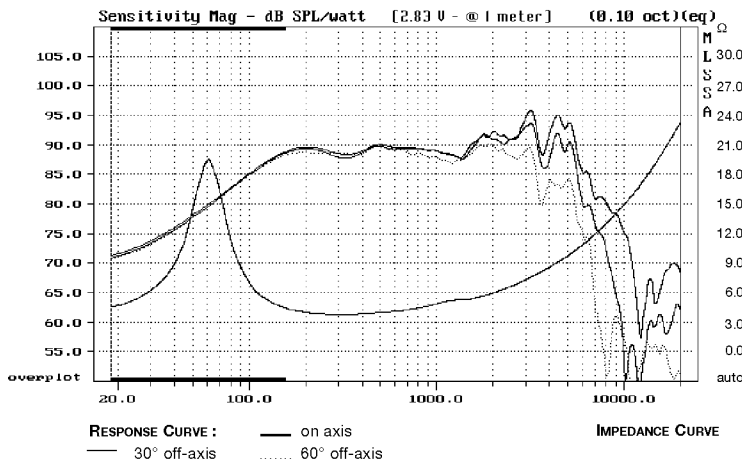
**5<sup>1/4</sup>" - HDA cone**  
**High impact polymer chassis**



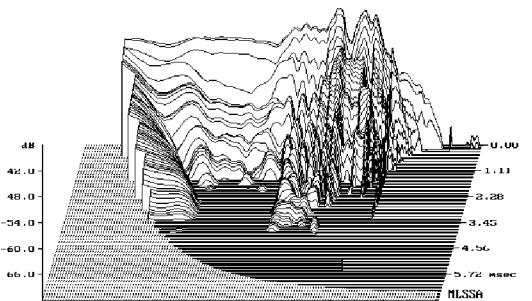
All dimensions in mm

- HDA (High Definition Aerogel) cone
- Compact woofer - Drop-in for high-end aftermarket installation
- High-loss rubber surround
- Kapton former voice coil
- Gold plated terminals
- Vented magnet system
- Non resonant - corrosion-free - High impact polymer chassis

**Response Curve**



**Waterfall**



**SPECIFICATIONS**

Technical characteristics	Symbol	Value	Units
<b>PRIMARY APPLICATION</b>			
Nominal Impedance	Z	4	Ω
Resonance Frequency	Fs	61,54	Hz
Nominal Power Handling	P	45	W
Sensitivity (2,83 V - 1m)	E	89	dB
<b>VOICE COIL</b>			
Voice Coil Diameter	φ	25	mm
Minimum Impedance	Zmin	3,9	Ω
DC Resistance	Dcr	3,47	Ω
Voice Coil Inductance	Lbm	0,31	mH
Voice Coil Length	h	12	mm
Former	-	kapton	-
Number of Layers	n	2	-
Wire type	-	round	-
Wire material	-	copper	-

**MAGNET**

Magnet Dimensions	φ x h	72 x 15	mm
Magnet Weight	m	245	g
Flux Density	B	1	T
Force Factor	BL	4,11	NA <sup>-1</sup>
Height of Magnetic Gap	He	4	mm
Stray Flux	Fmag	-	Am <sup>-1</sup>
Linear Excursion	Xmax	±4	mm

**PARAMETERS**

Suspension Compliance	Cms	907	μm/N
Mechanical Q Factor	Qms	4,40	-
Electrical Q Factor	Qes	0,58	-
Total Q Factor	Qts	0,52	-
Mechanical Resistance	Rms	0,64	kg s <sup>-1</sup>
Moving Mass	Mms	7,37	g
Effective Piston Area	S	83,32	cm <sup>2</sup>
Volume Equivalent of Air at Cas	Vas	8,85	liters
Mass of Speaker	M	660	g

**Suggested Applications**

Vb	Fb	Dp	Lp	F-3
liters	Hz	cm	cm	Hz
10	48,1	3	7	58,8
8	46,6	3	10	66,4