

WOOFER

VP170Z4 W04ZGT2511
102507A

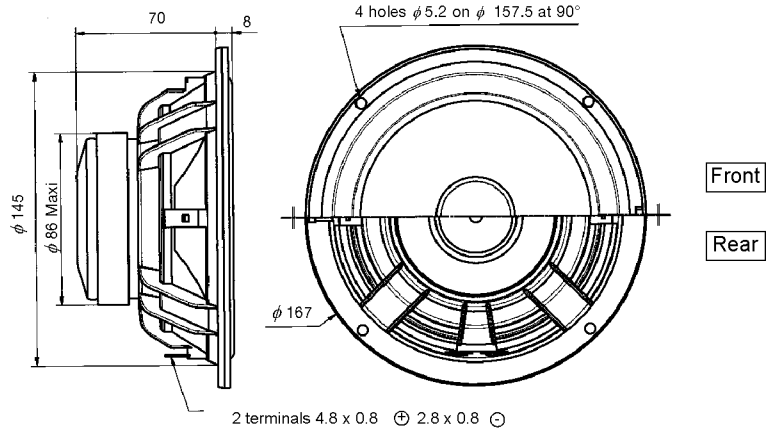
102473Q

Apr. 2000

6^{1/2}" HDA cone
High impact polymer chassis

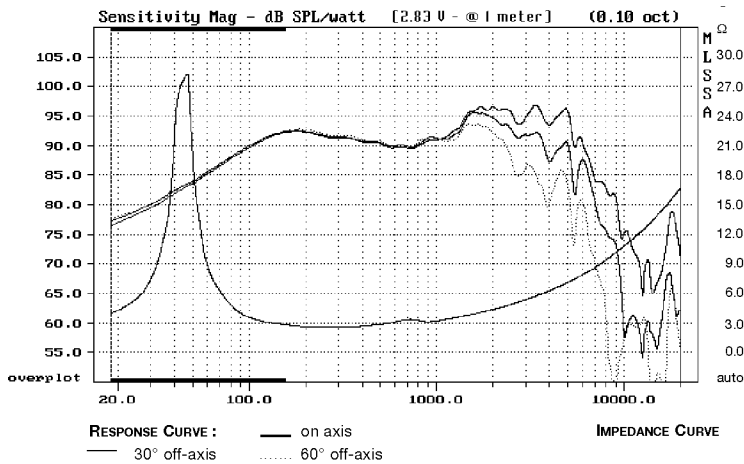


- HDA (High Definition Aerogel) cone
- Non resonant - corrosion-free - High impact polymer chassis
- High-loss rubber surround
- Kapton former voice coil
- Gold plated terminals
- 1" Textile dome - neodymium magnet
- Built-in crossover (1st order)
- Vented magnet system

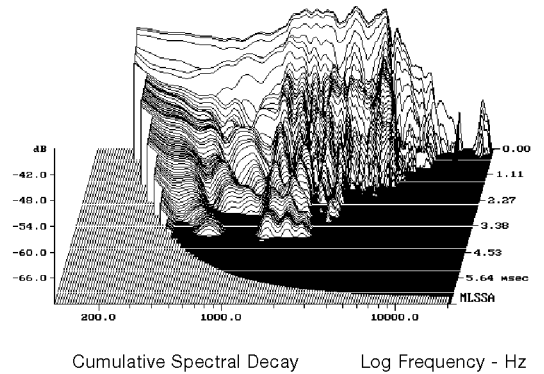


All dimensions in mm

Response Curve



Waterfall



SPECIFICATIONS			
Technical characteristics	Symbol	Value	Units
PRIMARY APPLICATION			
Nominal Impedance	Z	4	Ω
Resonance Frequency	Fs	47,13	Hz
Nominal Power Handling	P	-	W
Sensitivity (2,83 V - 1m)	E	92	dB
VOICE COIL			
Voice Coil Diameter	φ	25	mm
Minimum Impedance	Zmin	3,8	Ω
DC Resistance	Dcr	3,34	Ω
Voice Coil Inductance	Lbm	0,31	mH
Voice Coil Length	h	12	mm
Former	-	kapton	-
Number of Layers	n	2	-
Wire type	-	round	-
Wire material	-	copper	-

MAGNET			
Magnet Dimensions	φ x h	84 x 15	mm
Magnet Weight	m	347	g
Flux Density	B	1	T
Force Factor	BL	4,96	NA ⁻¹
Height of Magnetic Gap	He	4	mm
Stray Flux	Fmag	-	Am ⁻¹
Linear Excursion	Xmax	±4	mm
PARAMETERS			
Suspension Compliance	Cms	1084	μm/N
Mechanical Q Factor	Qms	4,85	-
Electrical Q Factor	Qes	0,42	-
Total Q Factor	Qts	0,39	-
Mechanical Resistance	Rms	0,64	kg s ⁻¹
Moving Mass	Mms	10,52	g
Effective Piston Area	S	132,73	cm ²
Volume Equivalent of Air at Cas	Vas	26,83	liters
Mass of Speaker	M	1	Kg

Suggested Applications

Vb	Fb	Dp	Lp	F-3
liters	Hz	cm	cm	Hz
15	50,3	6	18	58,8
20	50,1	6	12,5	52,2