

B&W

TITLE
N804 GENERAL ASSEMBLY

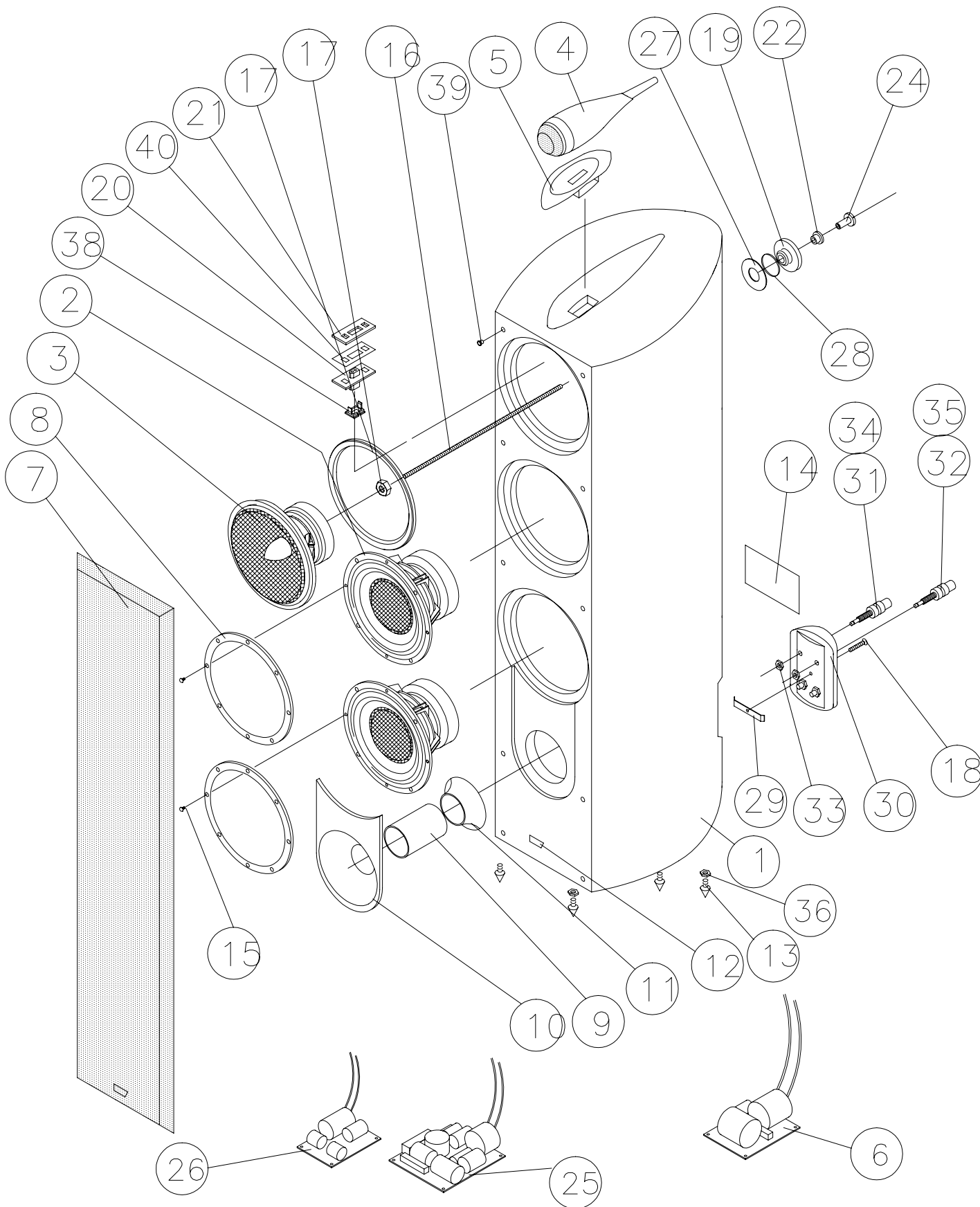
DRG. NO.
A 3846-1 -2

ISS

4

COPYRIGHT © 1997 DATE 26-1-98 DRAWN KW

PART NO.
FP10087



4	ITEM 17 WAS A3507	705	2-9-02	
ISSUE	AMENDMENT	ECN No.	DATE	APPROVAL



TITLE
N804 GENERAL ASSEMBLY

COPYRIGHT © 1997 DATE 26-1-98 DRAWN KW

DRG. NO.
A 3846-2 -2

PART NO.
FP10087

ISS
6

No.	QTY	CODE	DESCRIPTION	DRG No.
		FP10087	Complete Assembly	A3846
1	1	YY10669	Cabinet	C3916
2	2	ZZ11304	Bass Unit	A3848
3	1	ZZ10531	Midrange Unit	A3479
4	1	ZZ10839	HF Assembly	A3612
5	1	II09453	Tweeter Interface	A5879
6	1	ZZ11320	Crossover Assembly L/F	A4094
7	1	ZG00876	Grille Assembly	A3850
8	2	RR05428	Bass Trim Ring	B3464
9	1	PP10677	Port Tube	A3728
10	1	PP10839	Port Tube Facia	B3581
11	1	PP10766	Port Tube Facia (Inner)	B3580
12	1	BB00868	Badge	A2478
13	4	SS03840	Floor Spikes	A1247
14	1	SS08796	Serial Label	
15	16	HH10766	Screws M4x20 Soc Cap Hd	
16	1	HH10082	Drawbar	
17	1	HH12960	Front Isolator	A5582
18	1	HH10758	Screw M4x25 Csk Chrome	
19	1	HH10146	Rear Sleeve	A3572
20	1	MM00582	Plug Moulding	A3571
21	1	GG05835	Gasket	A3656
22	1	II09489	Rear Isolator	A5907
23	1			
24	1	HH10070	Drawbolt Fixing	A3524
25	1	ZZ11479	Crossover Assembly M/F	A4092
26	1	ZZ11339	Crossover Assembly H/F	A4090
27	1	GG05886	Rear Isolator Gasket	
28	1	RR05517	'O' Ring	
29	1	HH10693	Clamp Terminal Tray	A3686
30	1	MM00828	Terminal Tray	
31	2	CC09725	Red Terminal	
32	2	CC09733	Black Terminal	
33	4	HH10749	Half Nut	
34	2	PP17042	Terminal Blanking Plug Red	
35	2	PP17059	Terminal Blanking Plug Black	
36	4	HH04073	M6 Full Nut	
37	1	GG05983	Terminal Tray Gasket	A3852
38	1	MM00779	Tweeter Clip	A3975
39	10	PP12387	Mini Grille Fixing Female	
40	3	SS08885	Spacer	A3656

6	ITEM 5 WAS HH10294; ITEM 22 WAS HH11959	797	7.3.03	
ISSUE	AMENDMENT	ECN No.	DATE	APPROVAL



TITLE

TWEETER HOUSING G.A.

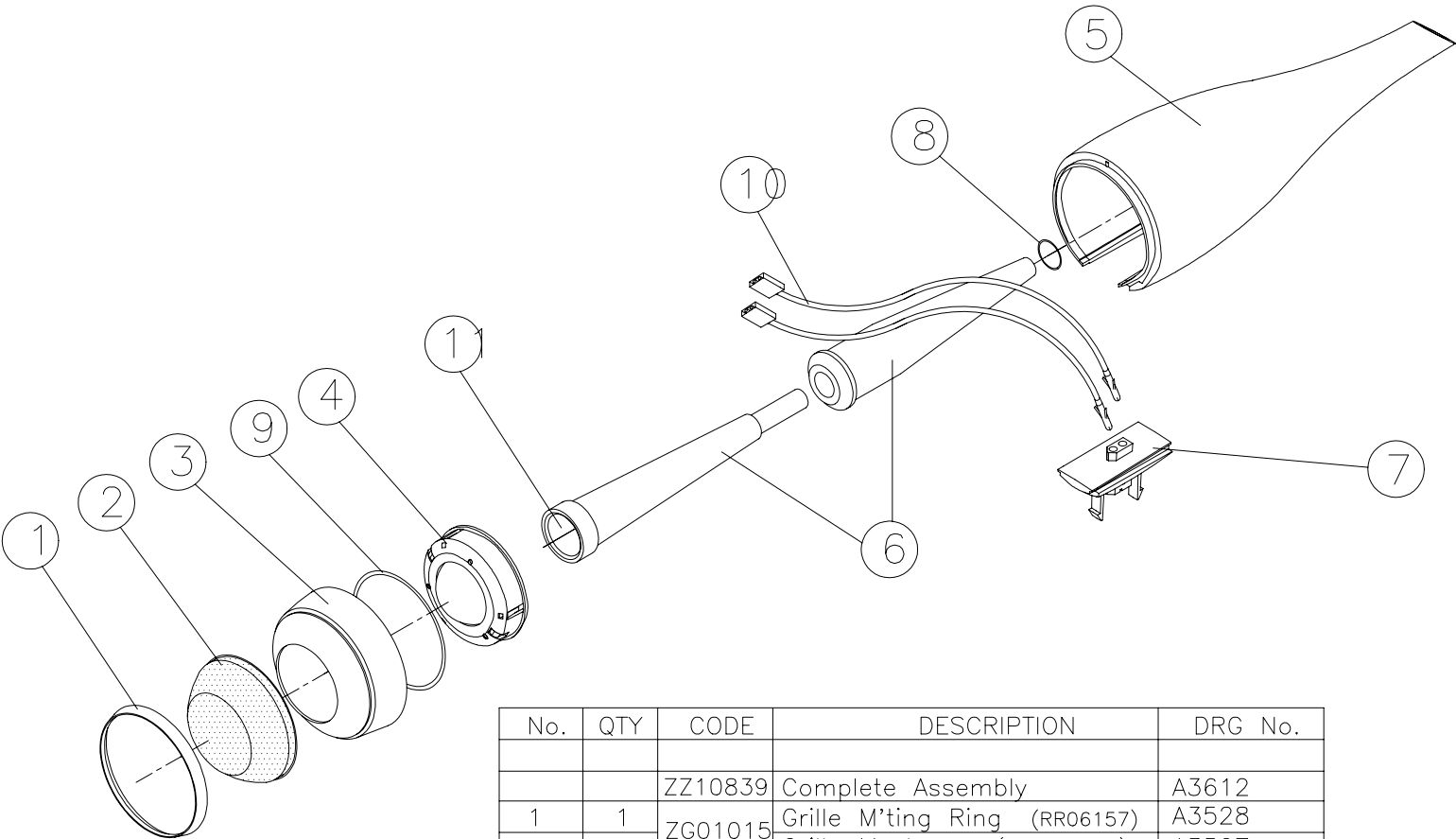
DRG. NO.

A 3612-1 -1

ISS

4

COPYRIGHT © 1997 DATE 11/07/97 DRAWN KW



No.	QTY	CODE	DESCRIPTION	DRG No.
		ZZ10839	Complete Assembly	A3612
1	1	ZG01015	Grille M'ting Ring (RR06157)	A3528
2	1		Grille Mesh (GG05681)	A3527
3	1	MM00824	Front Moulding	A3593
4	1	ZZ11770	Tweeter Assembly	A3578
5	1	MM00822	Housing	A3592
6	1	MM01112	Rear Tube	A4436
7	1	MM00612	Connector Moulding	A3595
8	1	RR05533	'O' Ring (Small)	
9	1	RR05436	'O' Ring (Large)	
10	1	ZX07436	Harness Assembly	A3890
11	1	BB04847	Baff	

4	ADDED AMENDMENT BOX	-	24:06:03	PS
3	ZX07436 WAS ZX6238	873	13:06:03	
ISSUE	AMENDMENT	ECC NO	DATE	APPROVAL



TITLE

TWEETER GENERAL ASSEMBLY

DRG. NO.

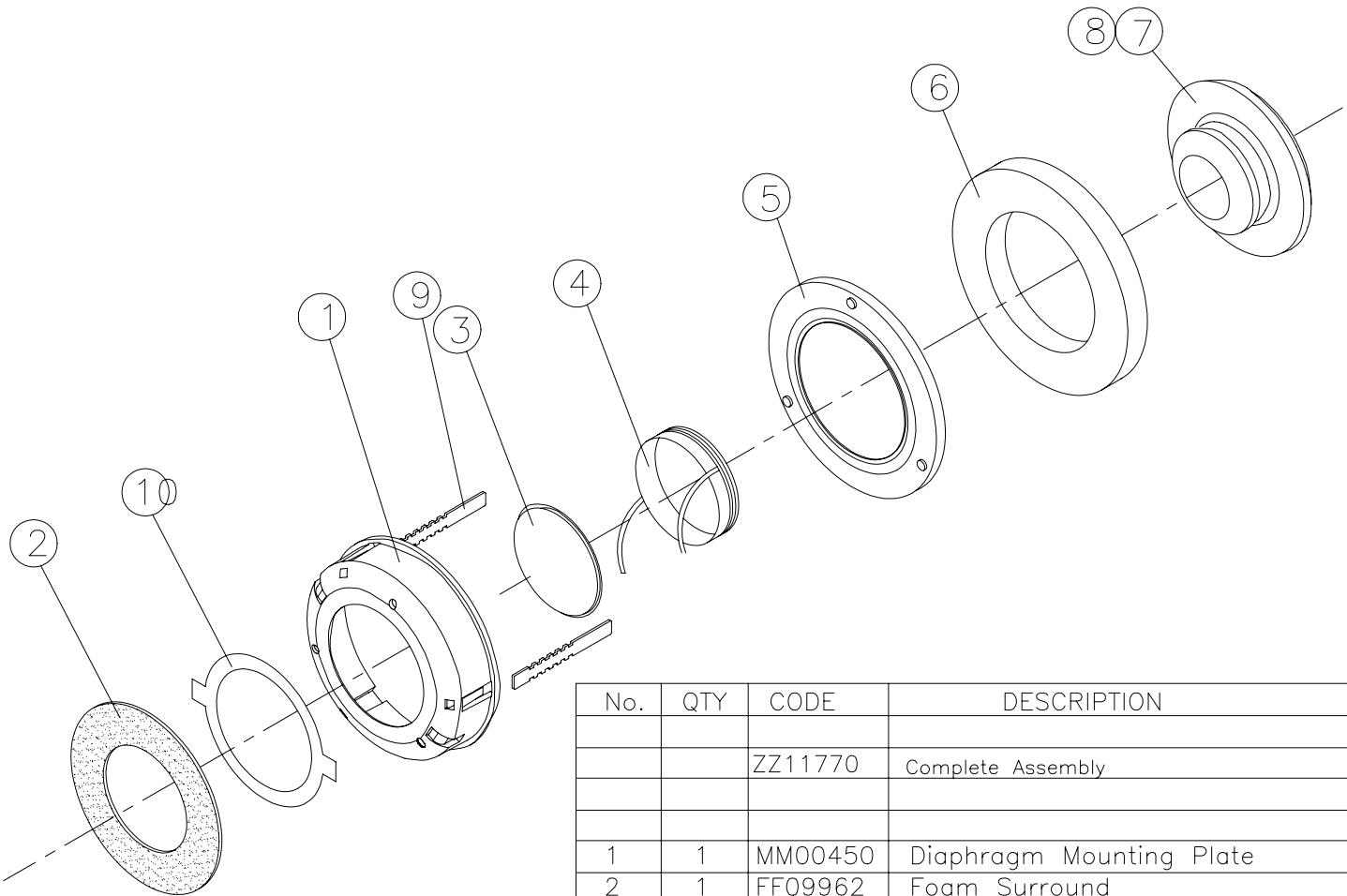
A 3578-1 -1

ISS
6

COPYRIGHT ©

DATE 30/05/97

DRAWN KW



No.	QTY	CODE	DESCRIPTION	DRG No.
		ZZ11770	Complete Assembly	A3578
				A3578
1	1	MM00450	Diaphragm Mounting Plate	A3439
2	1	FF09962	Foam Surround	A4725
3	1	DD01244	Dome	A3586
4	1	ZV01112	Voice Coil	A4786
5	1	PP10203	Top Plate	A3404
6	1	MM00400	Magnet	A3495
7	1	PP10211	Back Plate	A3400
8	A/R	AA05320	Ferro Fluid	
9	2	PP12270	Gold Pins	A3980
10	1	AA05908	Adhesive Disk	A4801

6

FF09962 WAS SS08052

AMENDMENT

504

ECN No.

070202

DATE

APPROVAL

B&W

TITLE

MIDRANGE GENERAL ASSEMBLY

DRG. NO.

A 3478-1 -2

ISS

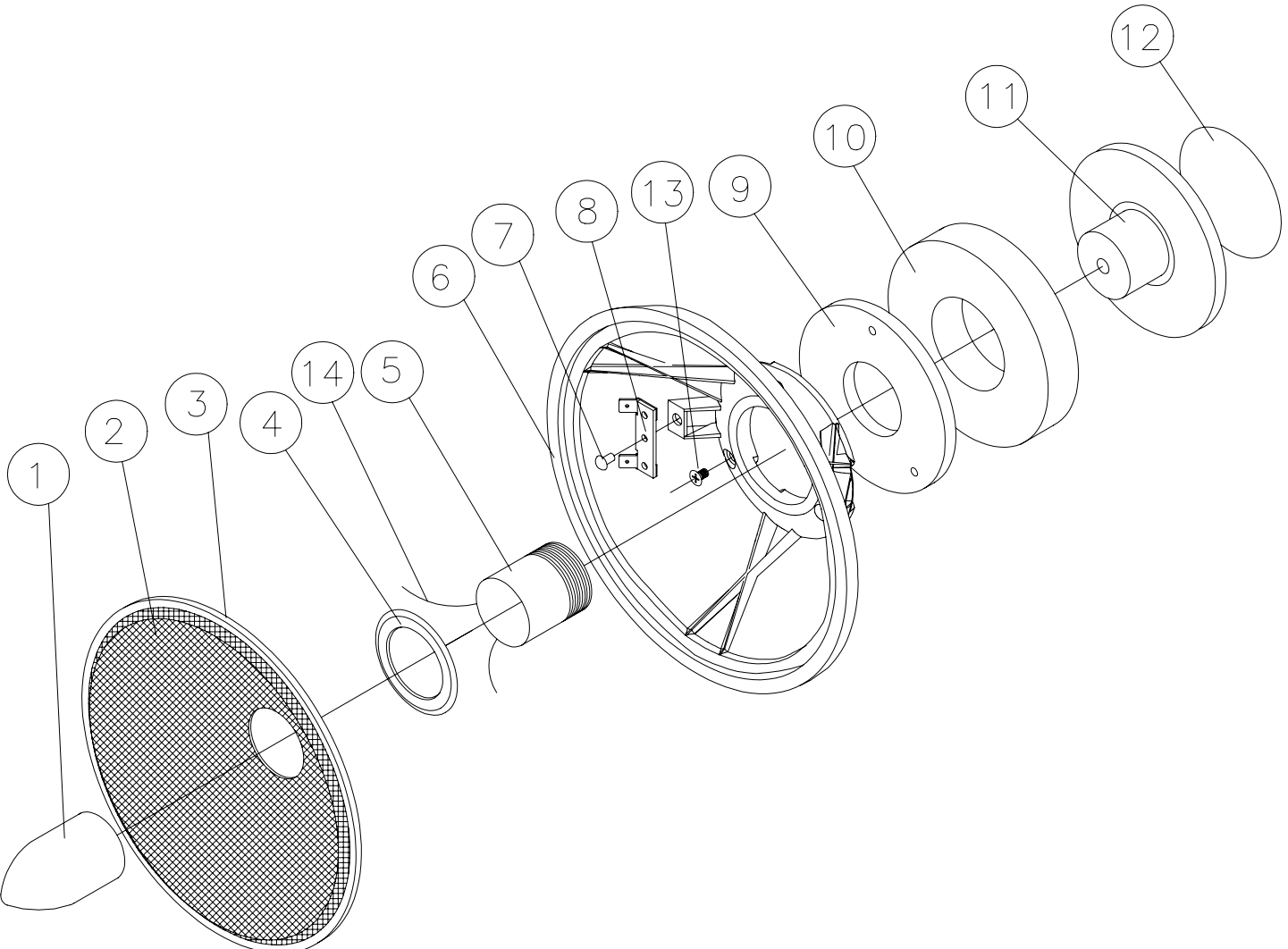
3

COPYRIGHT © 1997

DATE 27/02/97

DRAWN KW

PART NO.
ZZ10531



3

SEE SHEET 2

AMENDMENT

ECN No.

DATE

APPROVAL

ISSUE



TITLE
MIDRANGE G.A. PARTS LIST

DRG. NO.
A 3478-2 -2

ISS

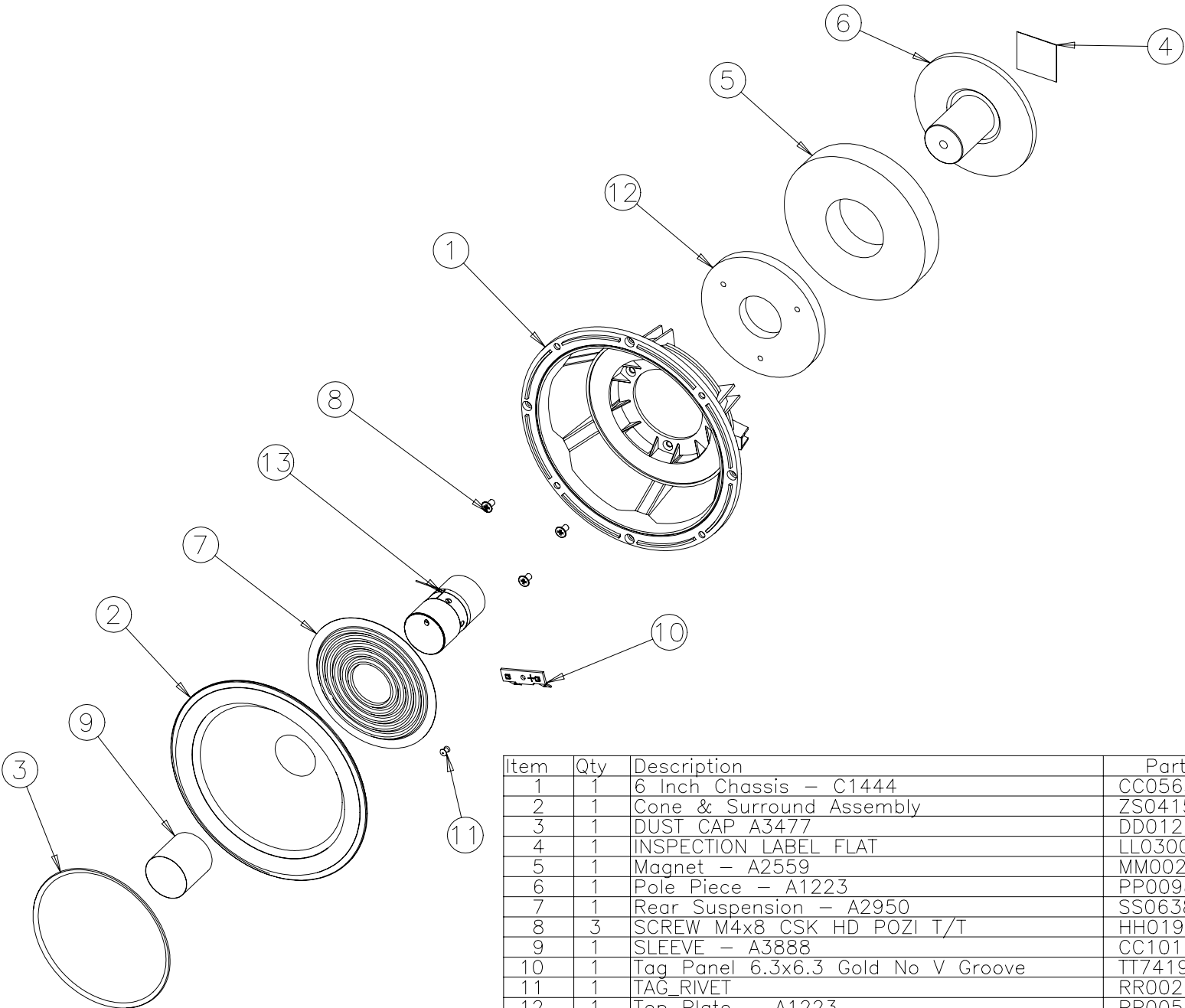
3

COPYRIGHT © 1997 DATE 17/02/97 DRAWN KW

PART NO.
ZZ10531

No.	QTY	CODE	DESCRIPTION	DRG No
		ZZ10531	Complete Assembly	A3479
		ZC10531	Cone to Coil Assembly	
1	1	D1228	Phase Plug	A3462
2	1	ZM0191	Cone	A2027
3	1	S7870	Foam Surround	A3504
4	1	SS11639	Rear Suspension	A7025
5	1	ZV0892	Voice Coil	ZV0892
6	1	C9116	Chassis	C3499
7	1	R0213	Rivet	
8	1	TT74195	Terminal Tag	A7741
9	1	P9879	Top Plate	A3519
10	1	M0183	Magnet	A1514
11	1	P9887	Pole Plate	A3485
12	1	L3000	Label	
13	3	H1928	Magnet Screws M4x8 Taptite	
14	2	T1767	Tinsels	

3	TT74195 WAS TT06483	ECR2112	6.3.06	MB
ISSUE	AMENDMENT	ECN No.	DATE	APPROVAL



Item	Qty	Description	Part
1	1	6 Inch Chassis - C1444	CC05657
2	1	Cone & Surround Assembly	ZS04150
3	1	DUST CAP A3477	DD01219
4	1	INSPECTION LABEL FLAT	LL03000
5	1	Magnet - A2559	MM00248
6	1	Pole Piece - A1223	PP00981
7	1	Rear Suspension - A2950	SS06386
8	3	SCREW M4x8 CSK HD POZI T/T	HH01928
9	1	SLEEVE - A3888	CC10111
10	1	Tag Panel 6.3x6.3 Gold No V Groove	TT74195
11	1	TAG_RIVET	RR00213
12	1	Top Plate - A1223	PP00549
13	1	Voice Coil A7950	ZV02487



TITLE

GRILLE ASSEMBLY

DRG. NO.

A3850-1 -1

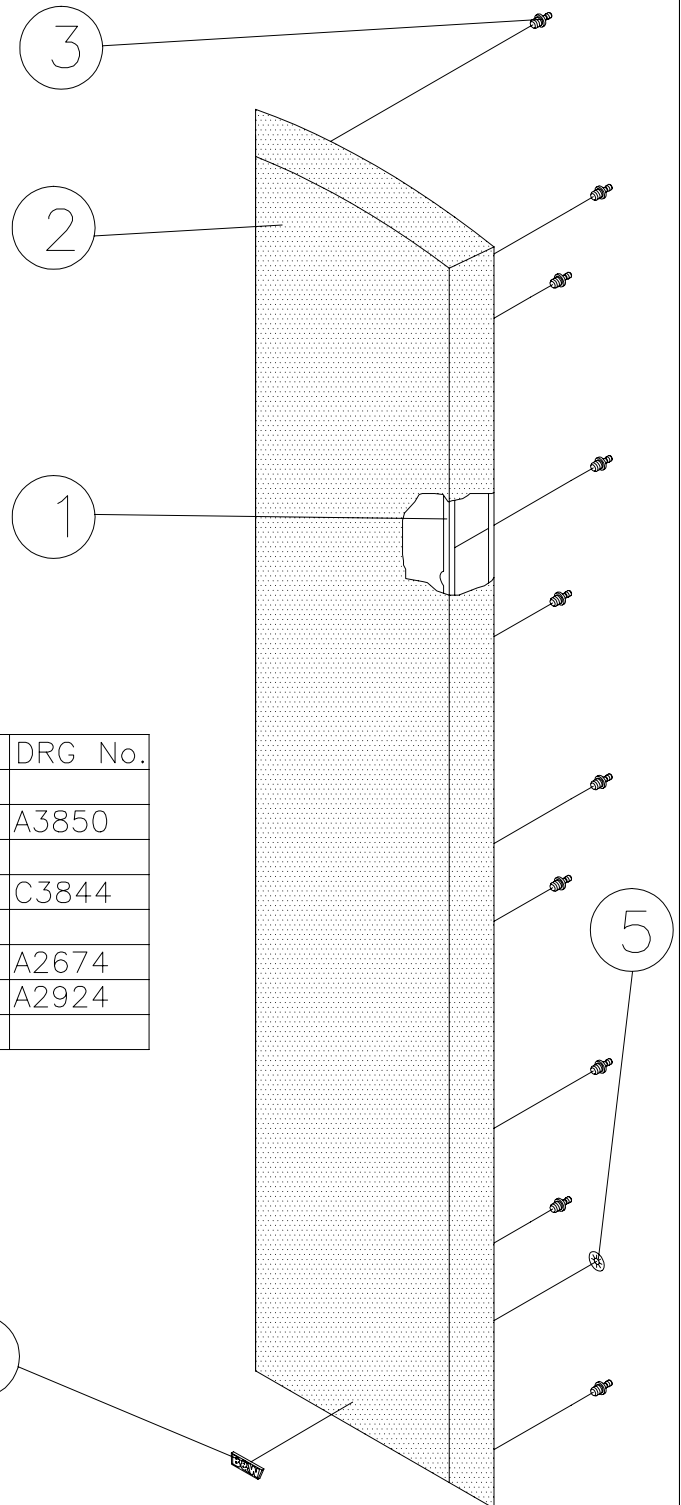
ISS

2

COPYRIGHT © 1998

DATE 28/01/98

DRAWN KW



ITEM	QTY	PART No.	DESCRIPTION	DRG No.
		ZG00876	Complete Assembly	A3850
1	1	GG05975	Grille Moulding	C3844
2	1	FF00612	Fabric	
3	10	PP13196	Grille Peg	A2674
4	1	BB04235	Badge	A2924
5	1	FF00566	Fastener	

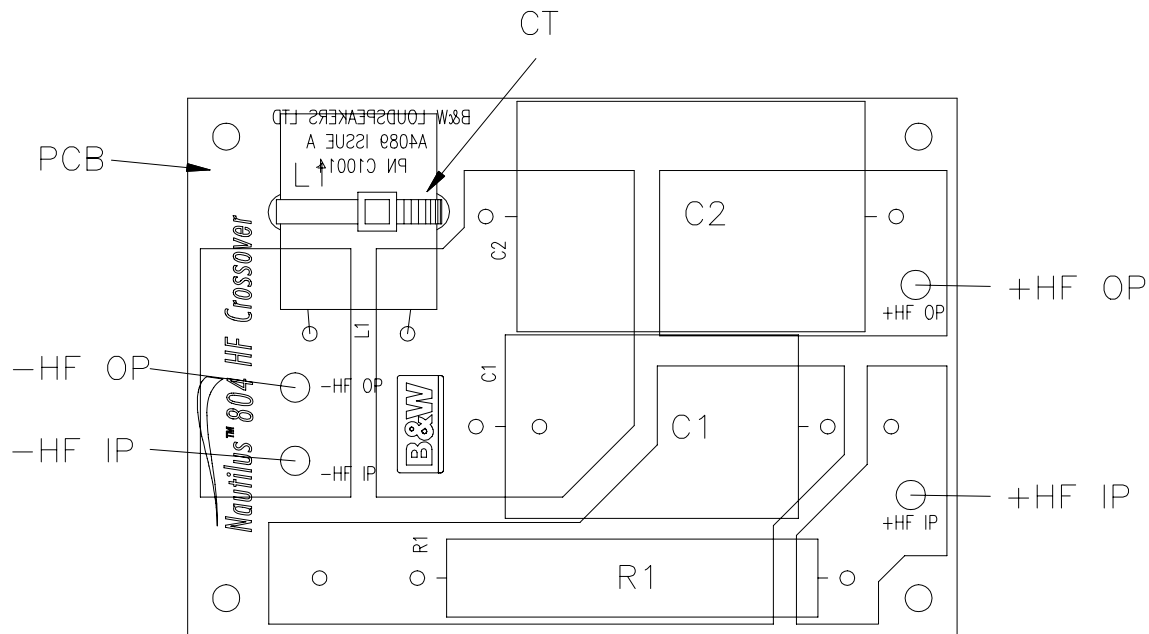


TITLE
N804 HF CROSSOVER ASSY

DRG. NO. A4090-1 -1
ISS (2)

COPYRIGHT © 1998 DATE 30/10/98 DRAWN PLB

ZZ11339



ITEM	CODE NO	COMPONENT	VALUE	REMARKS
	ZZ11339	COMPLETE ASSEMBLY		DRG NO A4090
R1	RR02828	RESISTOR	2R2	11W CERAMIC WIRE WOUND
C1	CC09899	CAPACITOR	4u7	250V POLYPROPYLENE
C2	CC09911	CAPACITOR	10uF	250V POLYPROPYLENE
L1	ZL00671	INDUCTOR	0.15mH	
CT	CC06513	CABLE TIE	1 OFF	
HAR	ZX06564	Harness assy		DRG NO A4153
PCB	CC10014	P.C.B.		PRINTED CIRCUIT BOARD DRG NO A4089



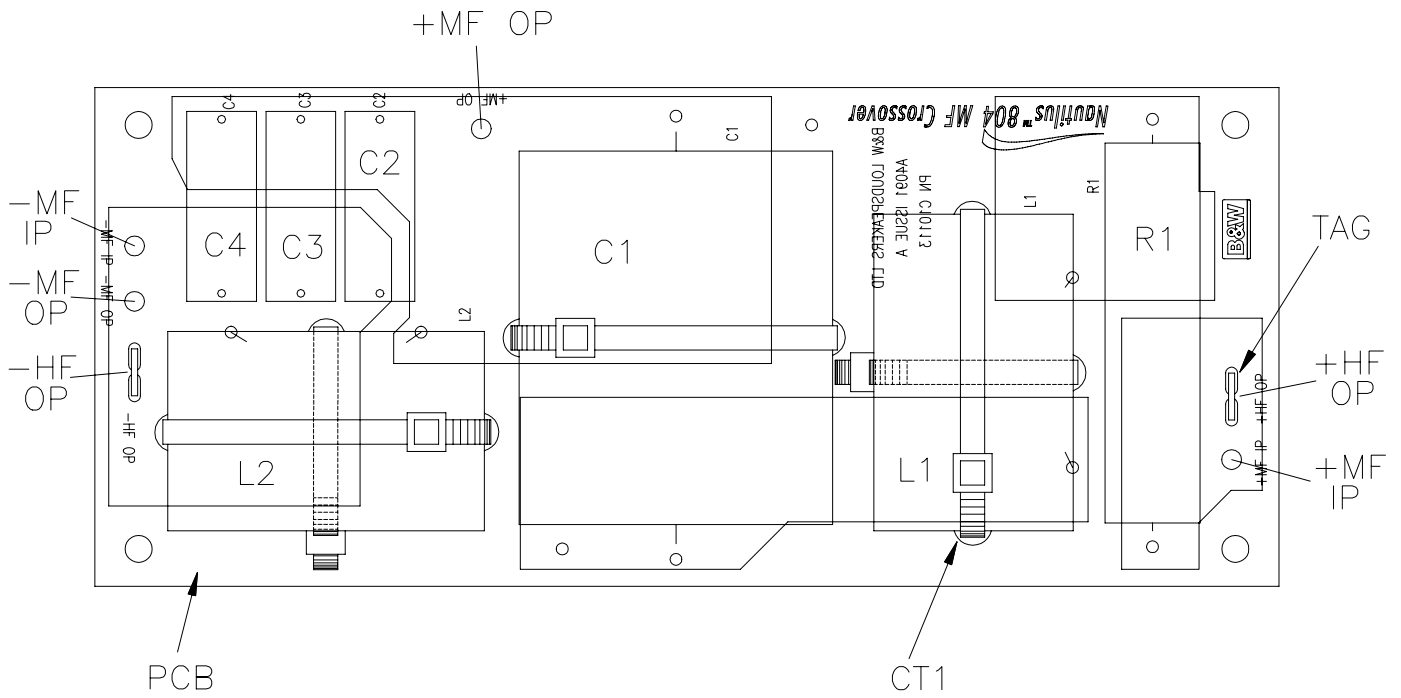
TITLE
N804 MF CROSSOVER ASSY

COPYRIGHT © 1998 DATE 30/10/98 DRAWN PLB

DRG. NO. A4092-1 -1

ISS (2)

ZZ11479



ITEM	CODE NO	COMPONENT	VALUE	REMARKS
	ZZ11479	COMPLETE ASSEMBLY		DRG NO A4092
R1	RR05479	RESISTOR	2R2	30W CERAMIC WIRE WOUND
C1	CC09741	CAPACITOR	47uF	250V POLYPROPYLENE
C2	CC10057	CAPACITOR	3u3	250V POLYPROPYLENE
C3	CC10057	CAPACITOR	3u3	250V POLYPROPYLENE
C4	CC10057	CAPACITOR	3u3	250V POLYPROPYLENE
L1	ZL01791	INDUCTOR	1.45mH	
L2	ZL01775	INDUCTOR	1.7mH	AIR CORE ø0.9 WIRE
CT1	CC06513	CABLE TIE	5 OFF	
TAG	TT06572	TAG	2 OFF	TAG 4.8mm
HAR	ZX06564	Harness assy		DRG NO A4153
PCB	CC10113	P.C.B.		PRINTED CIRCUIT BOARD DRG NO A4091



TITLE
N804 LF CROSSOVER ASSY

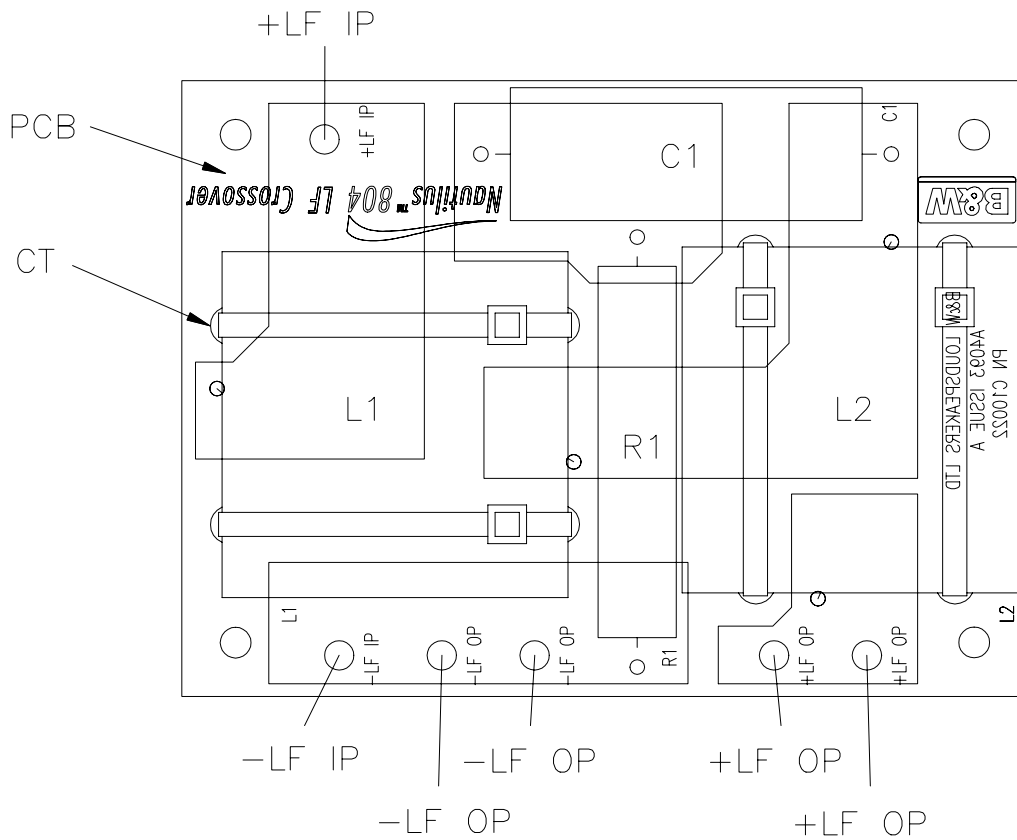
DRG. NO.
A 4094-1 -1

ISS

1

COPYRIGHT © 1998 DATE 30/10/98 DRAWN PLB

ZZ11320



ITEM	CODE NO	COMPONENT	VALUE	REMARKS
	ZZ11320	COMPLETE ASSEMBLY	A4094	
R1	RR16262	RESISTOR	R33 11W	
C1	CC10030	CAPACITOR	150uF 100V ELECTROLYTIC	
L1	ZL02046	INDUCTOR	2.5mH	
L2	ZL02135	INDUCTOR	1mH	
CT	CC06513	CABLE TIE	4 OFF	
HAR	ZX06572	Harness assy		DRG NO A4154
PCB	CC10022	P.C.B.		PRINTED CIRCUIT BOARD DRG NO A4093

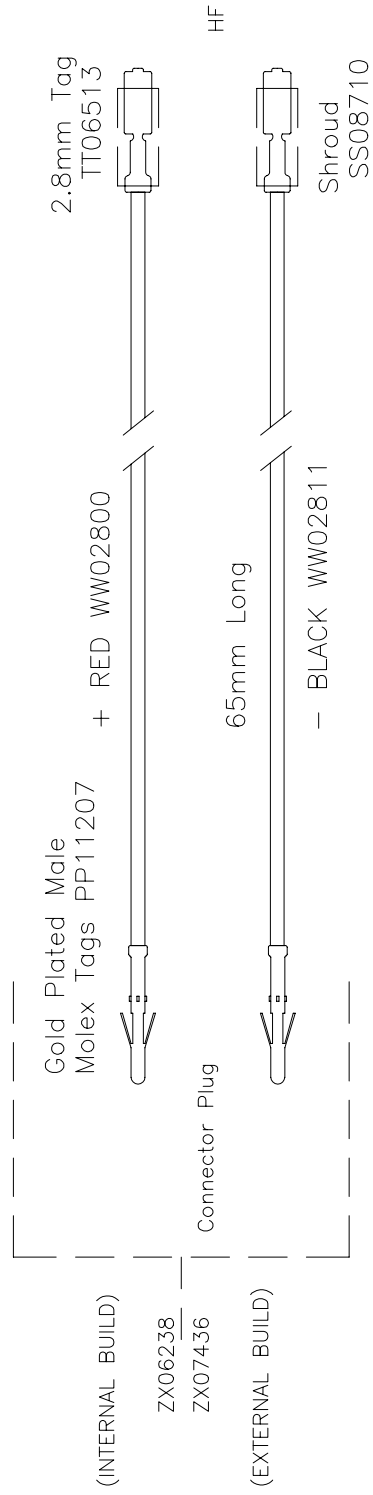


TITLE
HF HARNESS ASSEMBLY

COPYRIGHT © 1998 DATE 23/02/98 DRAWN KW

DRG. NO.
A3890-1 -1

ISS
3



3	ADDED AMENDMENT BOX	-	25:06:03	PS
2	ADDED EXTERNAL BUILD PART NUMBER	873	13:06:03	
1	IPISSUED TO NUMERIC REVISION			
ISSUE	AMENDMENT	ECC NO	DATE	APPROVAL



TITLE
804NT HF/MF HARNESS ASSY

DRG. NO.
A4153-1 -1

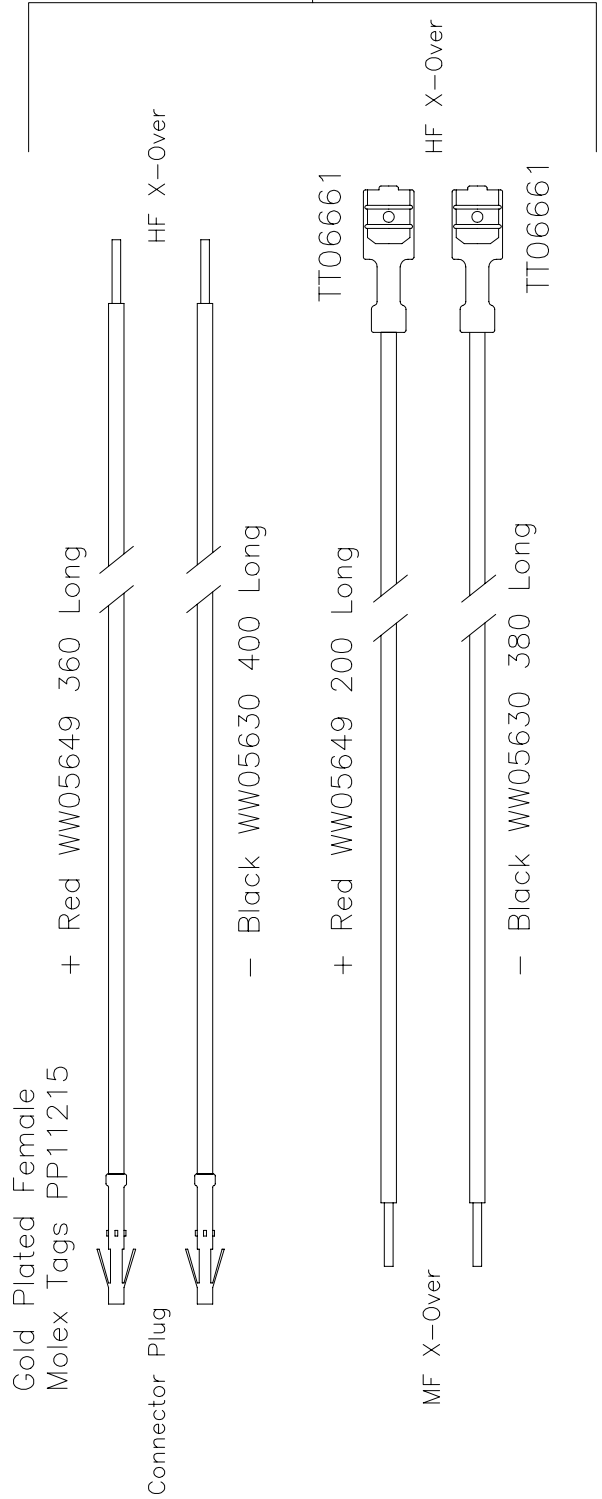
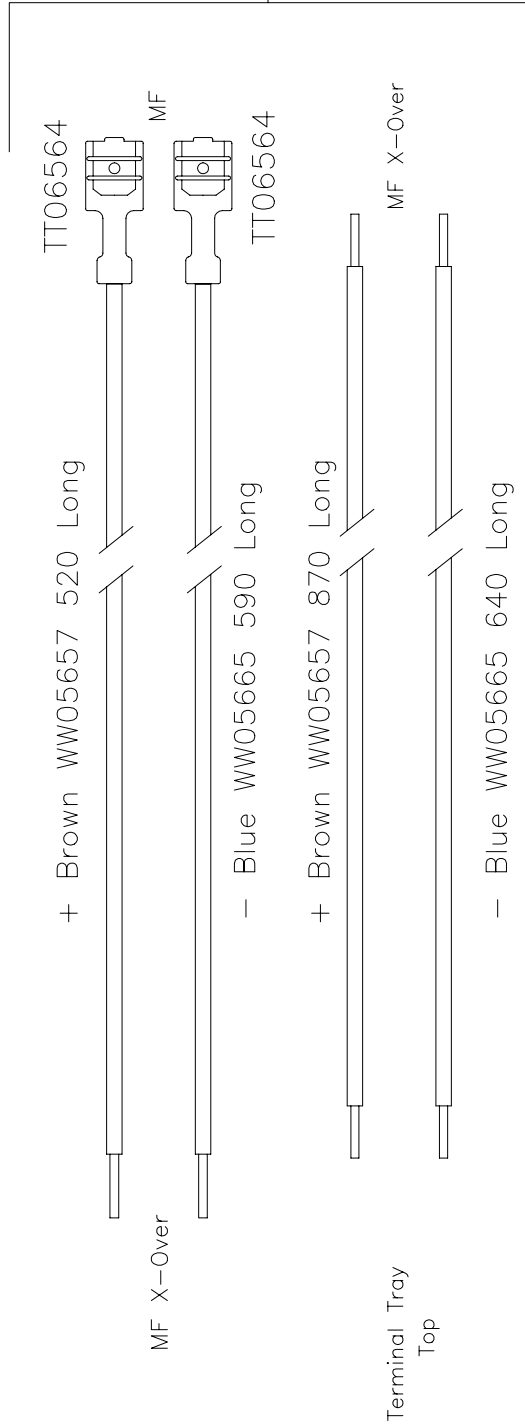
ISS

3

COPYRIGHT © 1998 DATE 02/11/98 DRAWN PLB

ZX06661

ZX06688





TITLE
804NT LF HARNESS ASSY

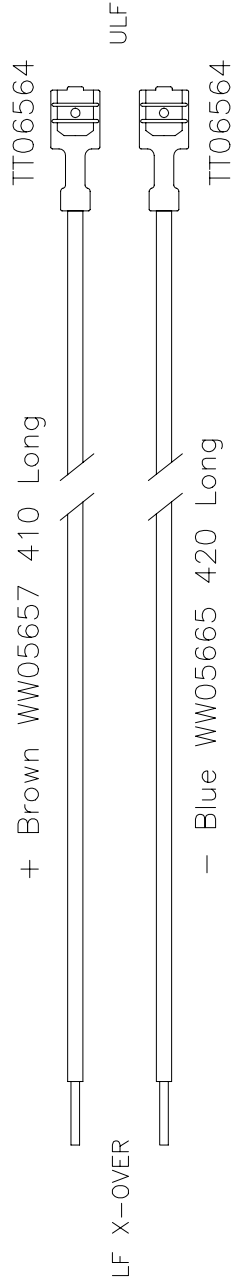
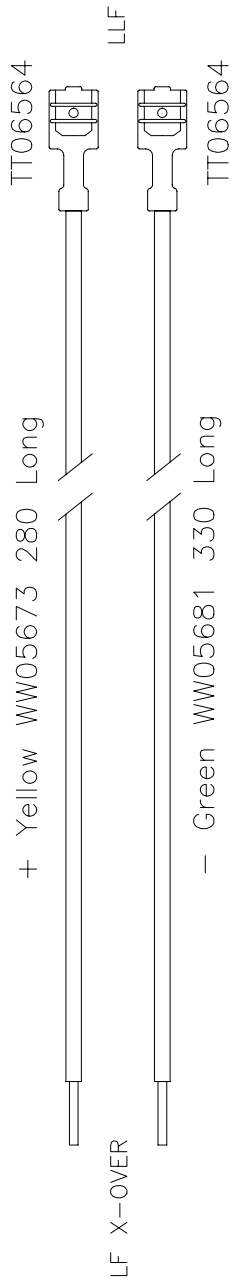
DRG. NO.
A4154-1 -1

ISS

2

COPYRIGHT © 1998 DATE 02/11/98 DRAWN PLB

ZX06572





TITLE
HARNESS 800 ACCESSORY PAC

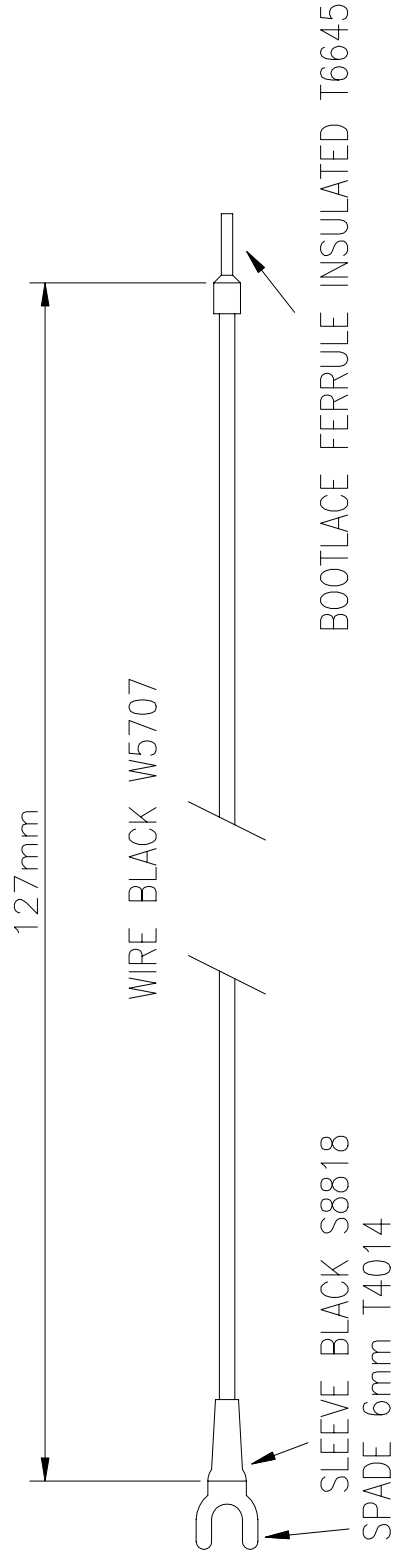
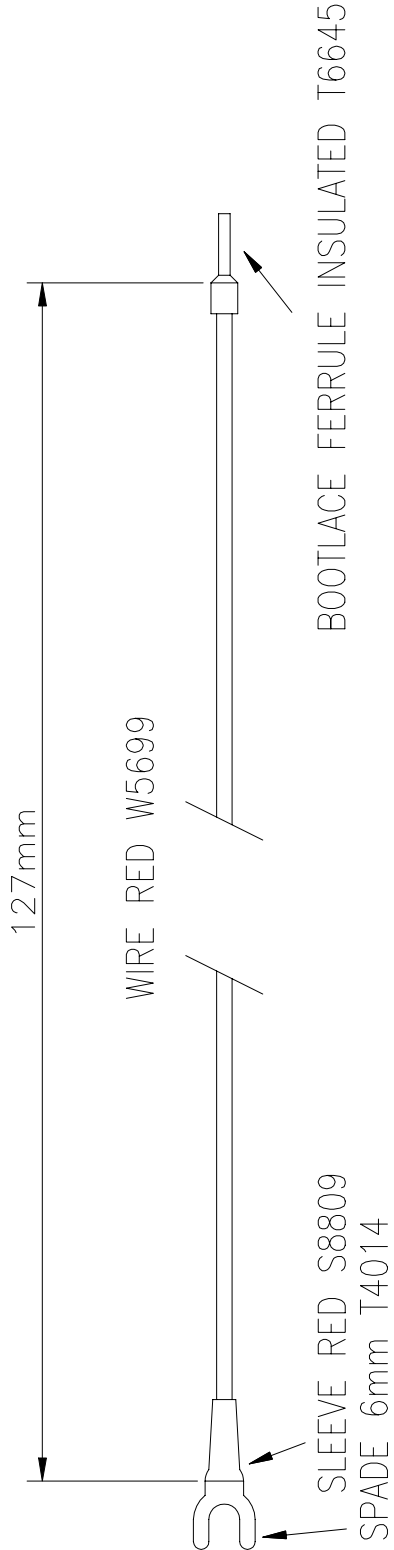
DRG. NO.
A4021-1 -1

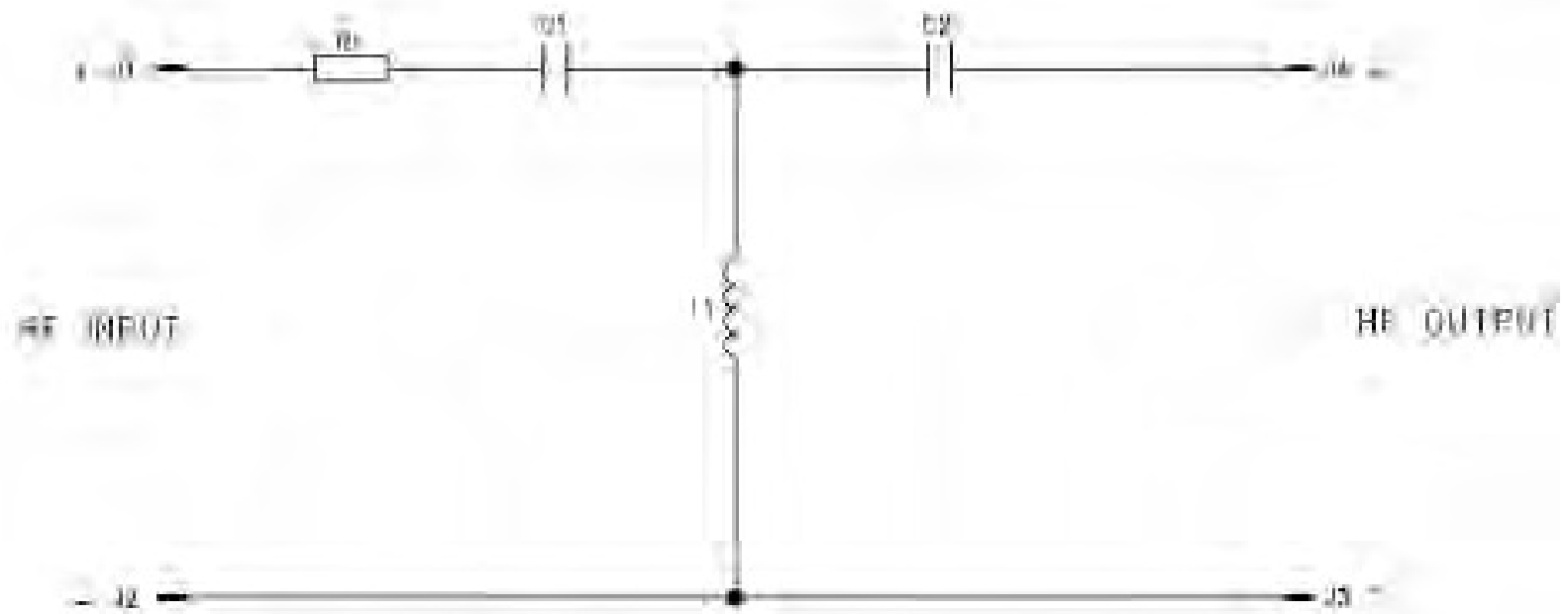
ISS

1

COPYRIGHT © 1998 DATE 09/06/98 DRAWN PLB

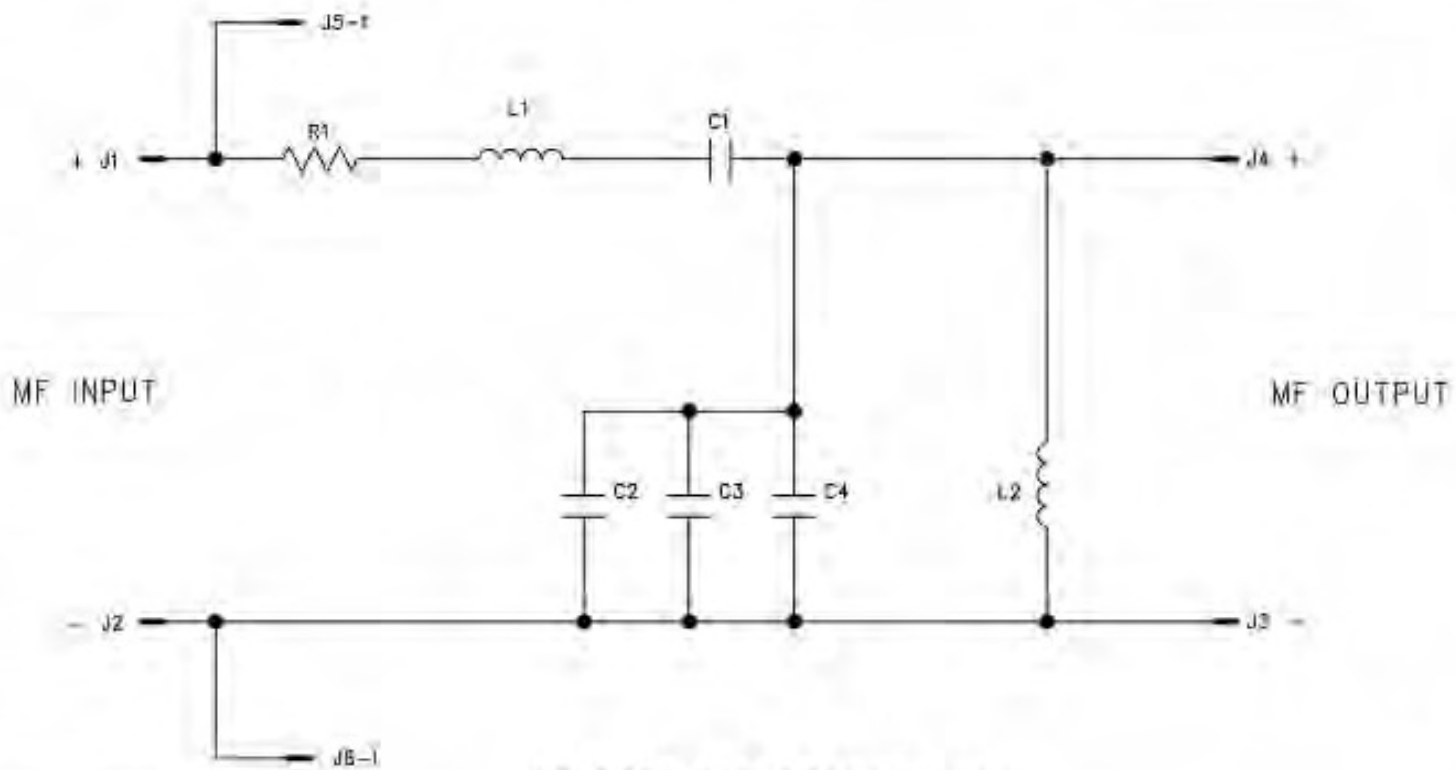
ZX6458





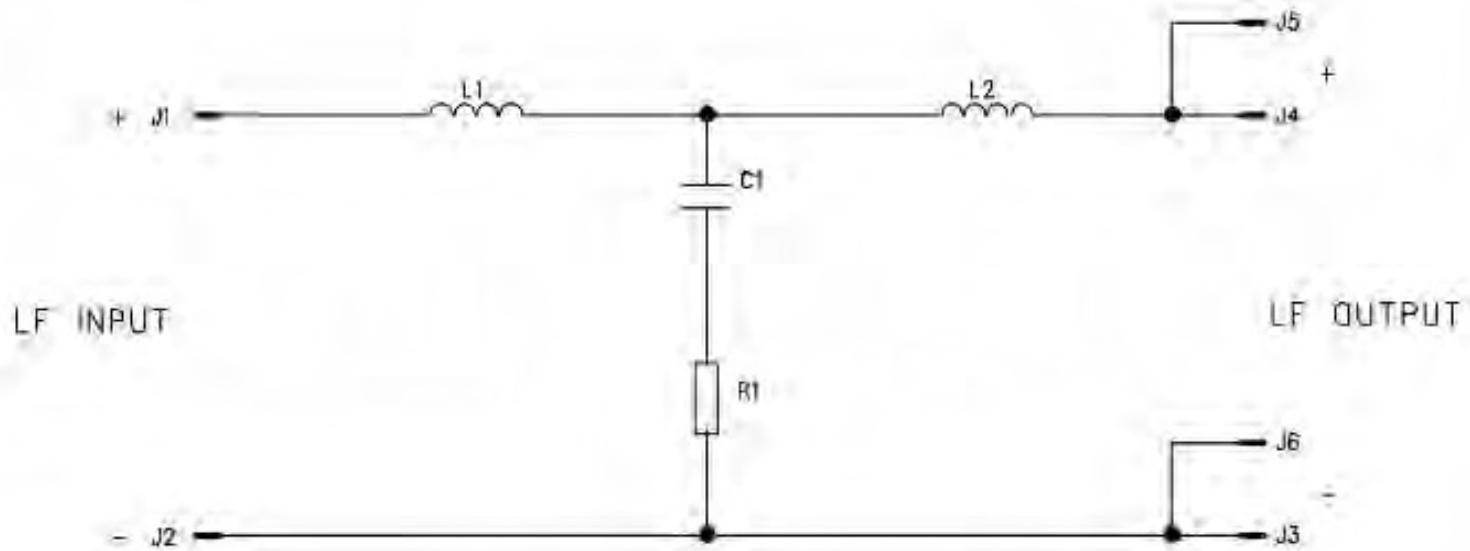
OTHER COMPONENTS:-
 CC06513 Cable Tie x 1
 CC10014 P.C.B. x 1

804NT HF Crossover



804NT MF Crossover

Other Components:-
 CC06513 cable Tie x 5
 TT06920 Tag x 2
 CC10113 P.C.B. x 1



Other Components:-
 CC06513 Cable Tie x 4
 CC10022 P.C.B. x 1

804NT LF Crossover