

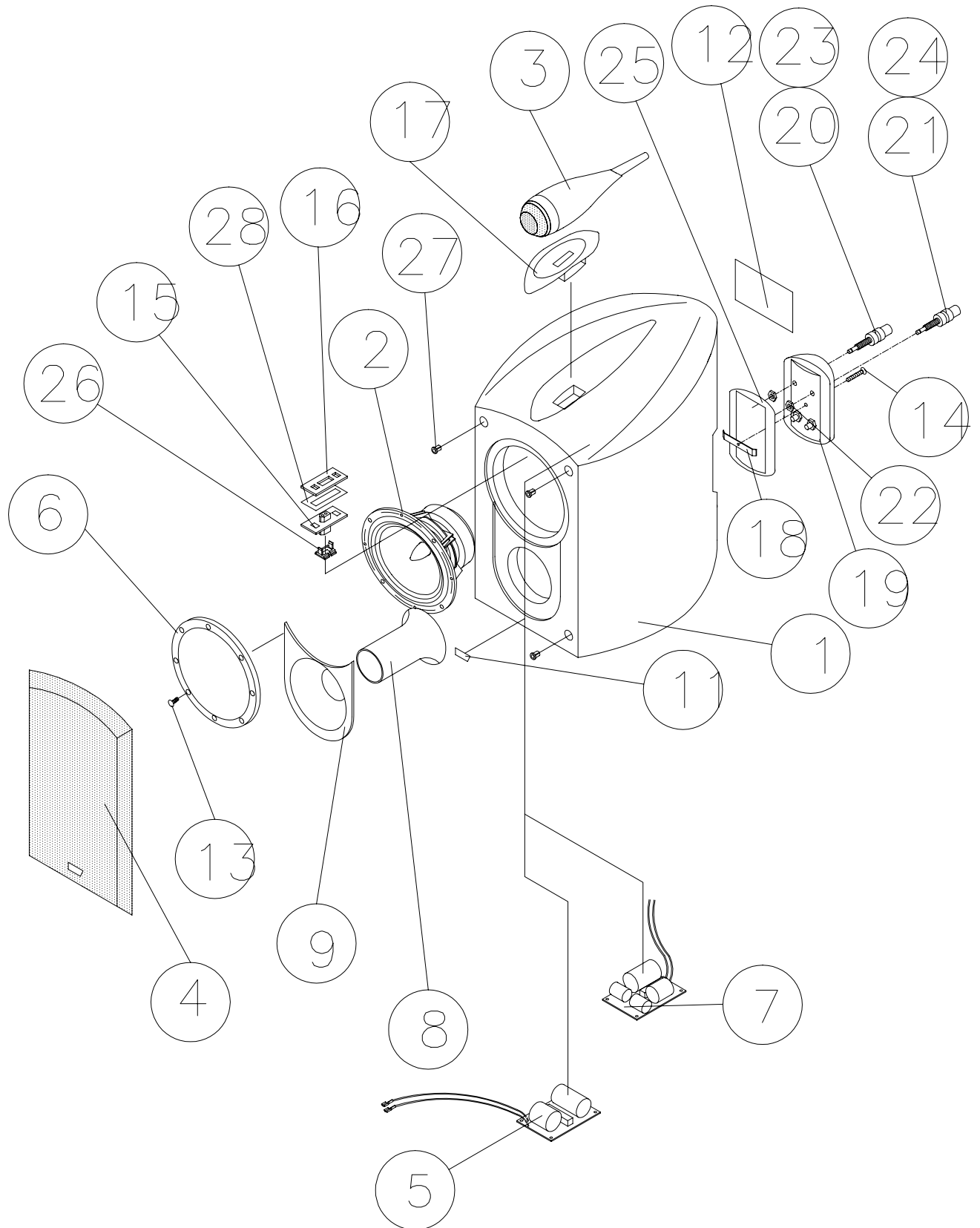
# B&W

TITLE  
805NT GENERAL ASSEMBLY

DRG. NO. A 3598-1 -2  
ISS (5)

COPYRIGHT © 1997 DATE 27.06.97 DRAWN KW

PART NO.



5	SEE SHEET 2	817	09:06:03	
ISSUE	AMENDMENT	ECN No.	DATE	APPROVAL



TITLE  
805NT G.A. PARTS LIST

COPYRIGHT © 1997 DATE 01.07.97 DRAWN KW

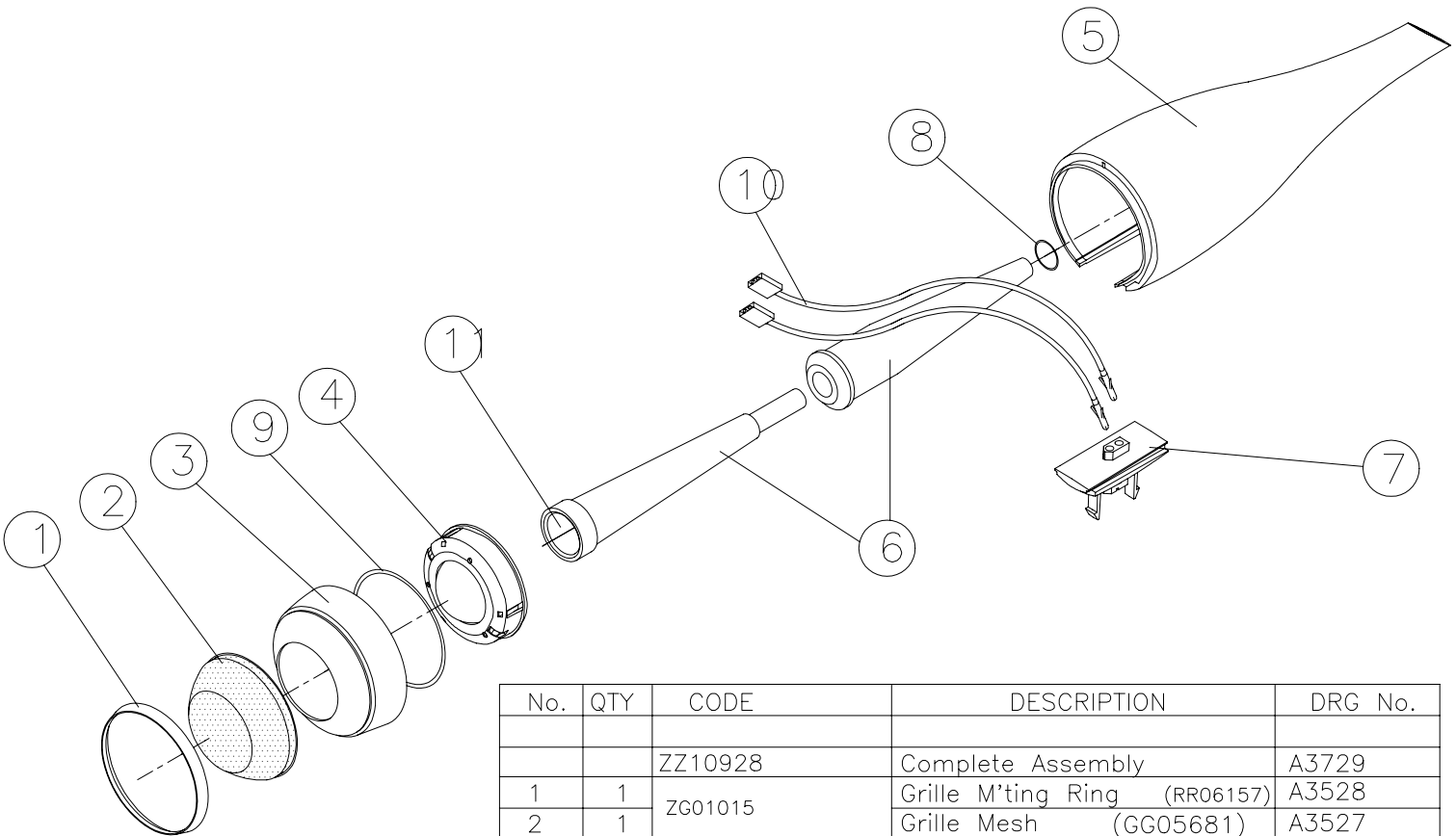
DRG. NO.  
A 3598-2 -2

PART NO.

ISS  
5

No.	QTY	CODE	DESCRIPTION	DRG No.
		FP10701	Complete Assembly	A3598
1	1	YY10502	Cabinet	C3536
2	1	ZZ11460	Bass Unit	A3951
3	1	ZZ10928	HF Assembly	A3729
4	1	ZG00779	Grille Assembly	A3663
5	1	ZZ10758	Crossover Assembly (LF)	A3774
6	1	RR05428	Bass Trim Ring	B3464
7	1	ZZ10979	Crossover Assembly (HF)	A3776
8	1	PP15814	Port Tube & Flare 50diax100 lg	B5072
9	1	PP10839	Port Tube Facia	B3581
10				
11	1	BB04243	Badge	A2924
12	1	SS08702	Serial Label	
13	8	HH10766	Screws M4x20 Soc Hd Cap	
14	1	HH10758	Screw M4x25 Csk Soc Hd	
15	1	MM00582	Plug Moulding	A3571
16	1	GG05835	Gasket Rear HF Connector	A3656
17	1	HH10294	HF Interface	A3685
18	1	HH10693	Clamp Terminal Tray	A3686
19	1	MM00701	Terminal Tray	B3569
20	2	CC09725	Red Terminal	ZT00388
21	2	CC09733	Black Terminal	
22	4	HH10749	Half Nut	
23	2	PP17042	Terminal Blanking Plug Red	
24	2	PP17059	Terminal Blanking Plug Black	
25	1	GG05983	Terminal Tray Gasket	A3852
26	1	MM00779	Tweeter Clip	A3975
27	4	GG02177	Mini Grille Fixing	
28	1	SS08699	Spacer Card	

5	CHANGED ZZ10758 TO XX00140 & XX00132 WAS ZZ10979	817	09:06:03	
ISSUE	AMENDMENT	ECN No.	DATE	APPROVAL



No.	QTY	CODE	DESCRIPTION	DRG No.
		ZZ10928	Complete Assembly	A3729
1	1	ZG01015	Grille M'ting Ring (RR06157)	A3528
2	1		Grille Mesh (GG05681)	A3527
3	1	MM00824	Front Moulding	A3593
4	1	ZZ11266	Tweeter Assembly	A3730
5	1	MM00822	Housing	A3592
6	1	MM01112	Rear Tube	A4436
7	1	MM00612	Connector Moulding	A3595
8	1	RR05533	'O' Ring (Small)	
9	1	RR05436	'O' Ring (Large)	
10	1	ZX07436	Harness Assembly	A3890
11	1	BB04847	Baff	

4	ADDED AMENDMENT BOX	-	25:06:03	PS
3	ZX06238 CHANGED TO ZX07436	873	13:06:03	
ISSUE	AMENDMENT	ECC NO	DATE	APPROVAL



TITLE

TWEETER GENERAL ASSEMBLY

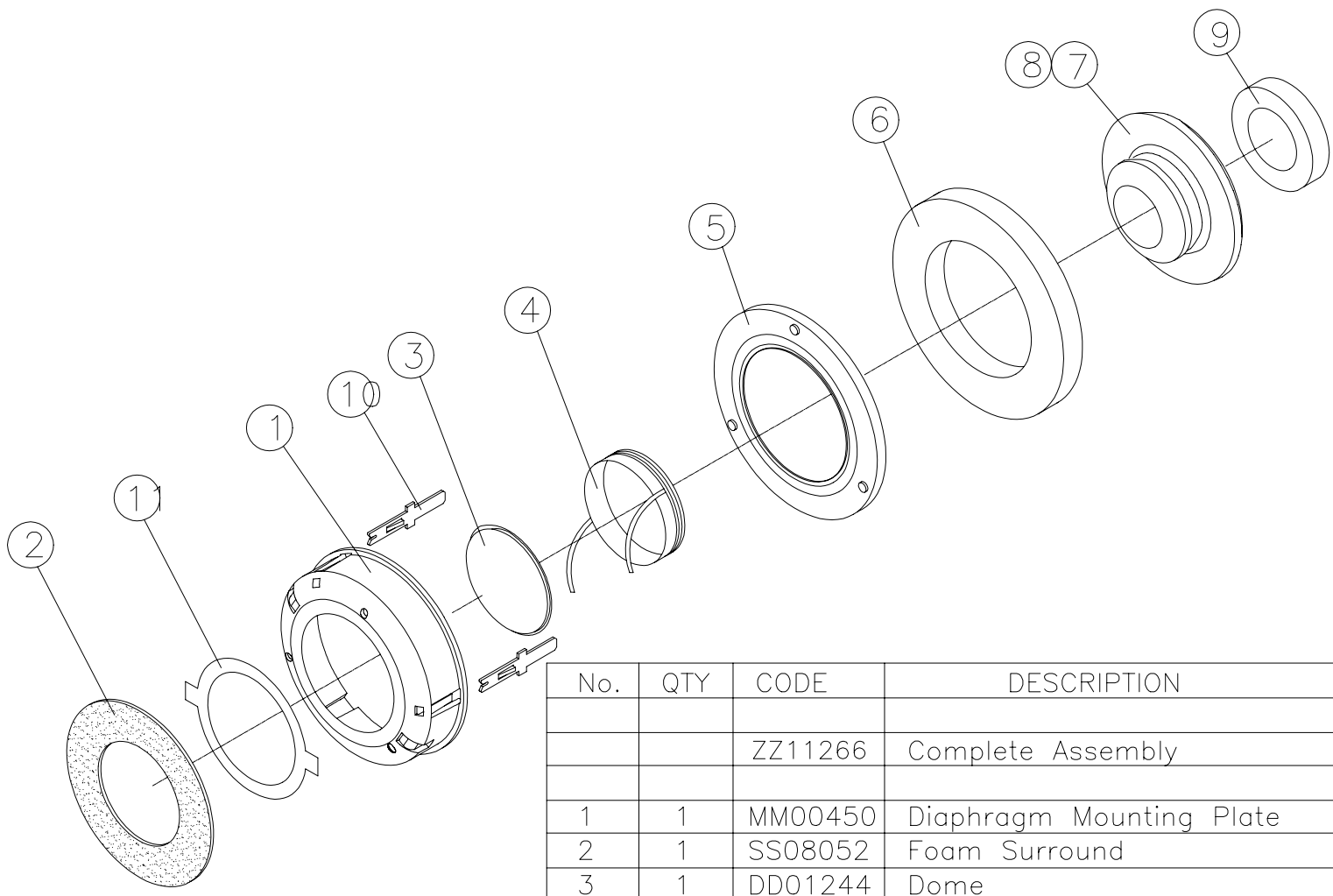
DRG. NO.

A 3730-1 -1

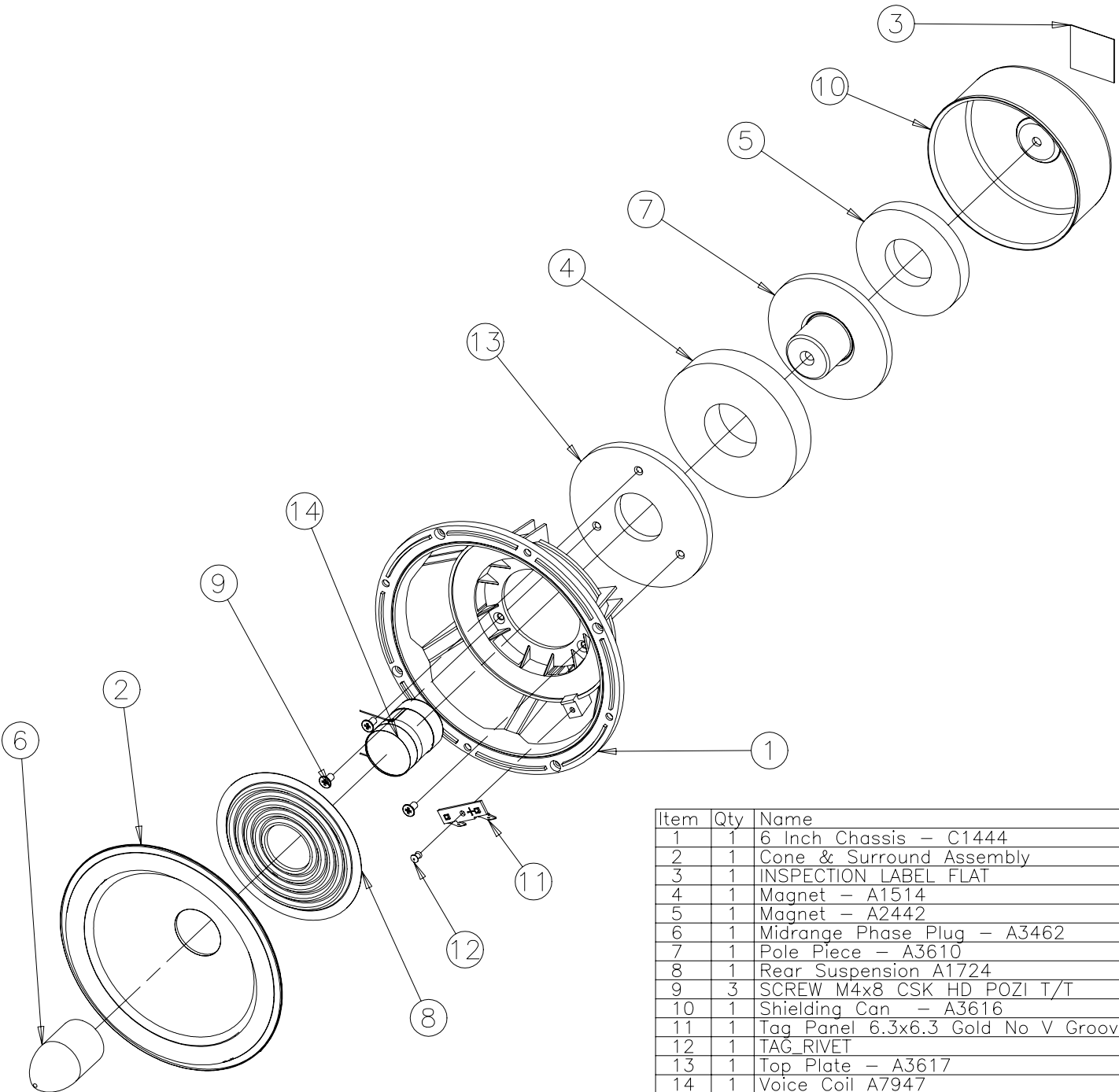
ISS

4

COPYRIGHT © 1997 DATE 30/05/97 DRAWN KW



No.	QTY	CODE	DESCRIPTION	DRG No.
		ZZ11266	Complete Assembly	A3730
1	1	MM00450	Diaphragm Mounting Plate	A3439
2	1	SS08052	Foam Surround	A3650
3	1	DD01244	Dome	A3586
4	1	ZV01112	Voice Coil	A4786
5	1	PP10203	Top Plate	A3404
6	1	MM00400	Magnet	A3495
7	1	PP10211	Back Plate	A3400
8	A/R	AA05320	Ferro Fluid	
9	1	MM00639	Bucking Magnet	A3694
10	2	PP12270	Gold Tweeter Pin	A3980
11	1	AA05908	Adhesive Disc	A4801



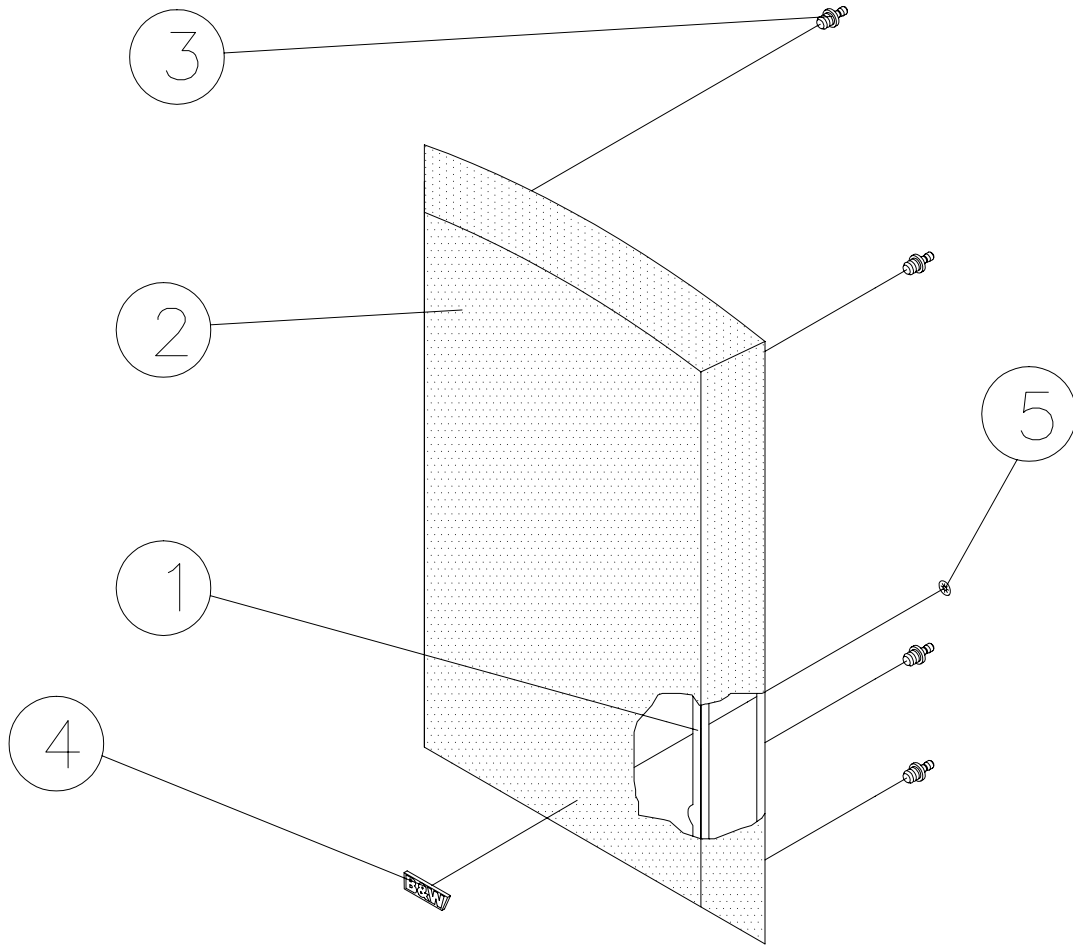
Item	Qty	Name	Part #
1	1	6 Inch Chassis - C1444	CC05657
2	1	Cone & Surround Assembly	ZS00353
3	1	INSPECTION LABEL FLAT	LL03000
4	1	Magnet - A1514	MM01155
5	1	Magnet - A2442	MM00329
6	1	Midrange Phase Plug - A3462	DD01228
7	1	Pole Piece - A3610	PP11079
8	1	Rear Suspension A1724	SS00728
9	3	SCREW M4x8 CSK HD POZI T/T	HH01928
10	1	Shielding Can - A3616	PP10928
11	1	Tag Panel 6.3x6.3 Gold No V Groove	TT74195
12	1	TAG_RIVET	RR00213
13	1	Top Plate - A3617	PP10919
14	1	Voice Coil A7947	ZV02453



TITLE  
GRILLE ASSEMBLY 805NT

DRG. NO. A3663-1 -1  
ISS (1)

COPYRIGHT © 1997 DATE 21/08/97 DRAWN KW



ITEM	QTY	PART No.	DESCRIPTION	DRG No.
		ZG00779	Complete Assembly	A3663
1	1	GG05770	Grille Moulding	C3615
2	1	FF00612	Fabric	
3	6	PP12388	Grille Peg	A2674
4	1	BB04235	Badge	A2924
5	1	FF00566	Fastener	PUR F0566



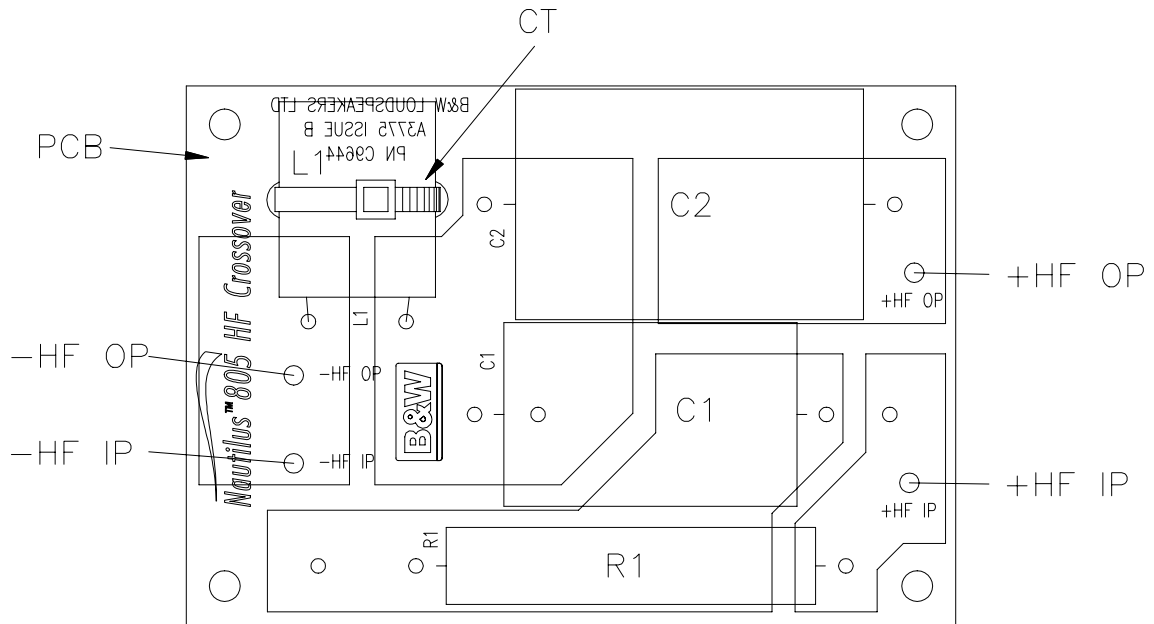
TITLE  
**N805 HF CROSSOVER ASSY**

COPYRIGHT © 1997 DATE 16/12/97 DRAWN PLB

DRG. NO.  
**A3776-1 -1**

ISS  
**1**

ZZ10979



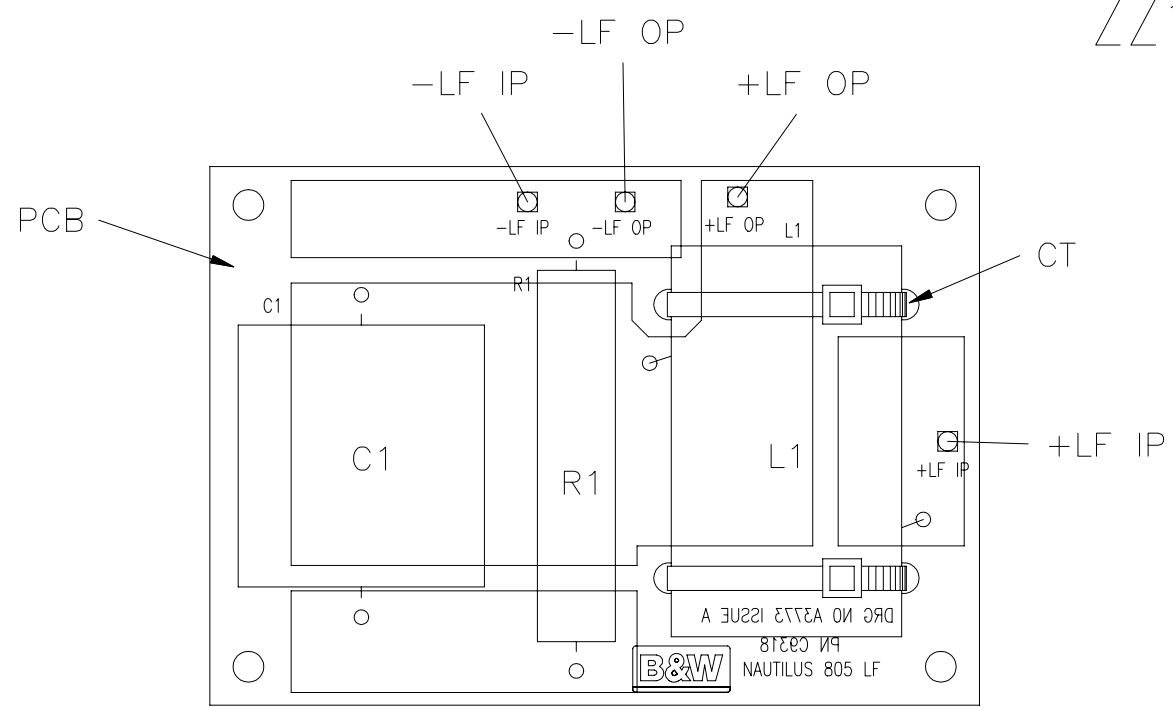
ITEM	CODE NO	COMPONENT	VALUE	REMARKS
	ZZ10979	COMPLETE ASSEMBLY		DRG NO A3776
R1	RR02313	RESISTOR	3R3	CERAMIC WIRE WOUND 11W
C1	CC09899	CAPACITOR	4u7	250V POLYPROPYLENE
C2	CC09911	CAPACITOR	10uF	250V POLYPROPYLENE
L1	ZL00671	INDUCTOR	0.15mH	0.45 WIRE
CT	CC06513	CABLE TIE	1 OFF	
HAR	ZX06229	Harness assy		DRG NO A3631
PCB	CC09644	P.C.B.		PRINTED CIRCUIT BOARD DRG NO A3775



TITLE  
 N805 LF CROSSOVER ASSY  
 COPYRIGHT © 1997 DATE 16/12/97 DRAWN PLB

DRG. NO.  
 A3774-1 -1  
 ISS  
 1

ZZ10758



ITEM	CODE NO	COMPONENT	VALUE	REMARKS
	ZZ10758	COMPLETE ASSEMBLY		DRG NO A3774
R1	RR02062	RESISTOR	5R6 11W	
C1	CC09857	CAPACITOR	6u8 250V POLYPROPYLENE	
L1	ZL01821	INDUCTOR	1.45mH	
CT	CC06513	CABLE TIE	2 OFF	
HAR	ZX06173	Harness assy		DRG NO A3631
PCB	CC09318	P.C.B.		PRINTED CIRCUIT BOARD DRG NO A3773

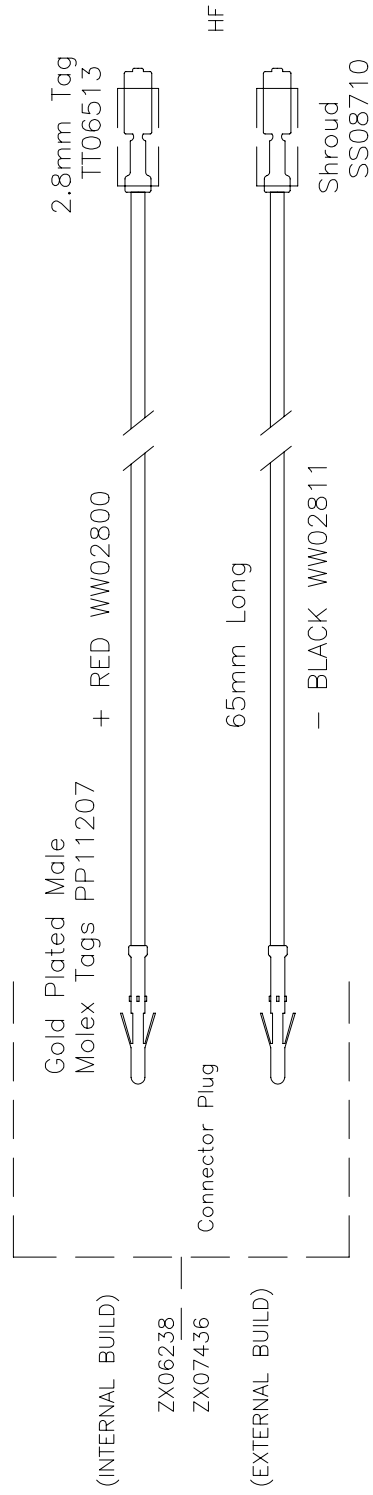




TITLE  
HF HARNESS ASSEMBLY

DRG. NO. A3890-1 -1  
ISS (3)

COPYRIGHT © 1998 DATE 23/02/98 DRAWN KW



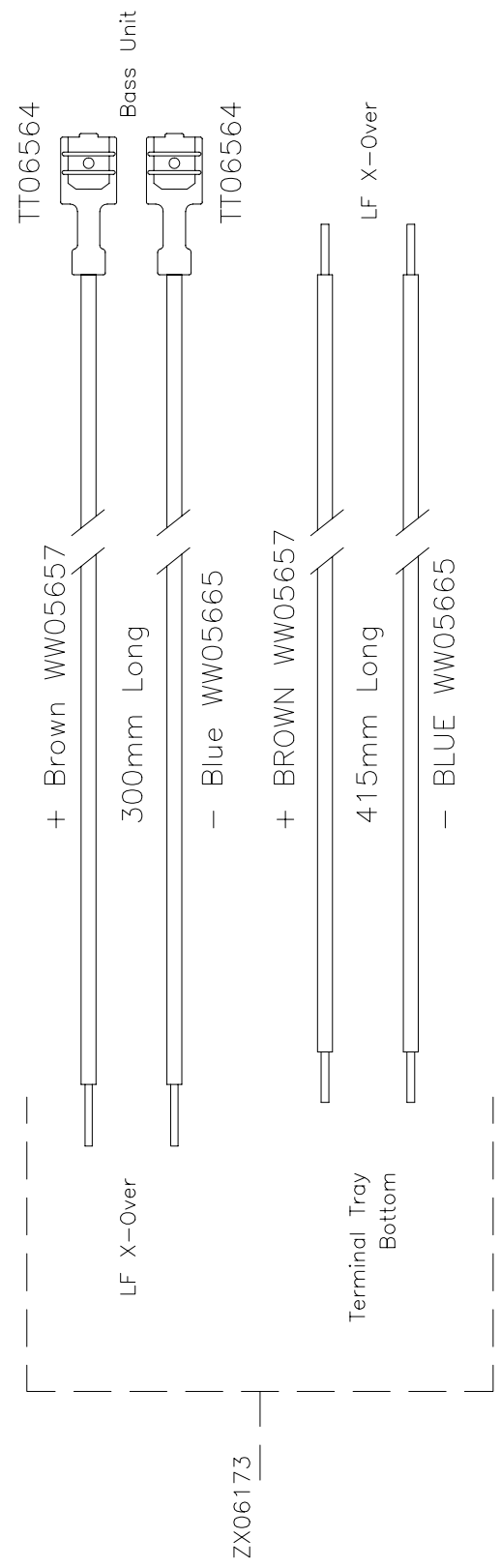
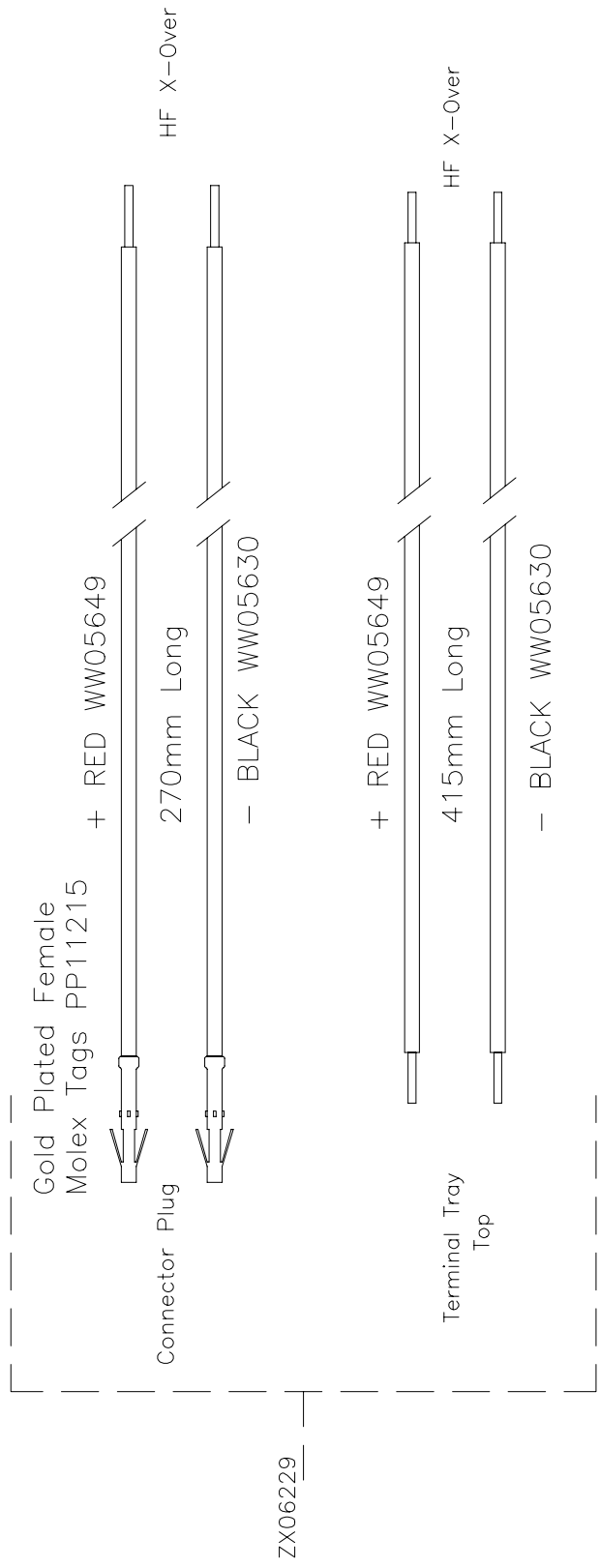
3	ADDED AMENDMENT BOX	-	25:06:03	PS
2	ADDED EXTERNAL BUILD PART NUMBER	873	13:06:03	
1	ISSUED TO NUMERIC REVISION			
ISSUE	AMENDMENT	ECC NO	DATE	APPROVAL



TITLE  
HARNESS ASSEMBLY 805/6 NT

DRG. NO. A3631-1-1  
ISS (3)

COPYRIGHT © 1997 DATE 16/07/97 DRAWN KW



3	LF WAS 350mm NOW 300mm LONG	865	20/05/03	
ISSUE	AMENDMENT	ECR No	DATE	APPROVAL



TITLE  
HARNESS 800 ACCESSORY PAC

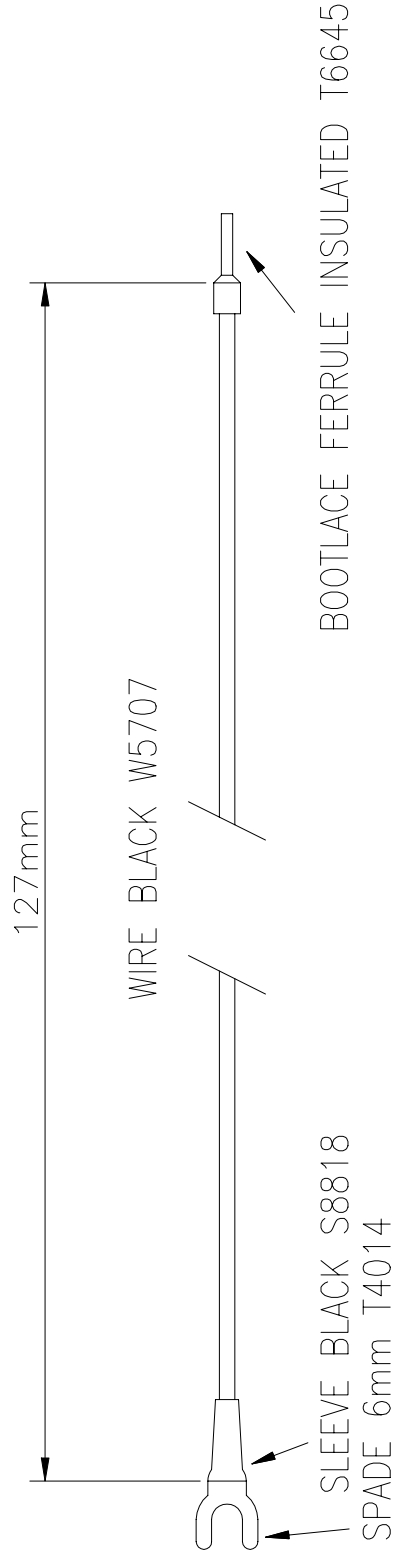
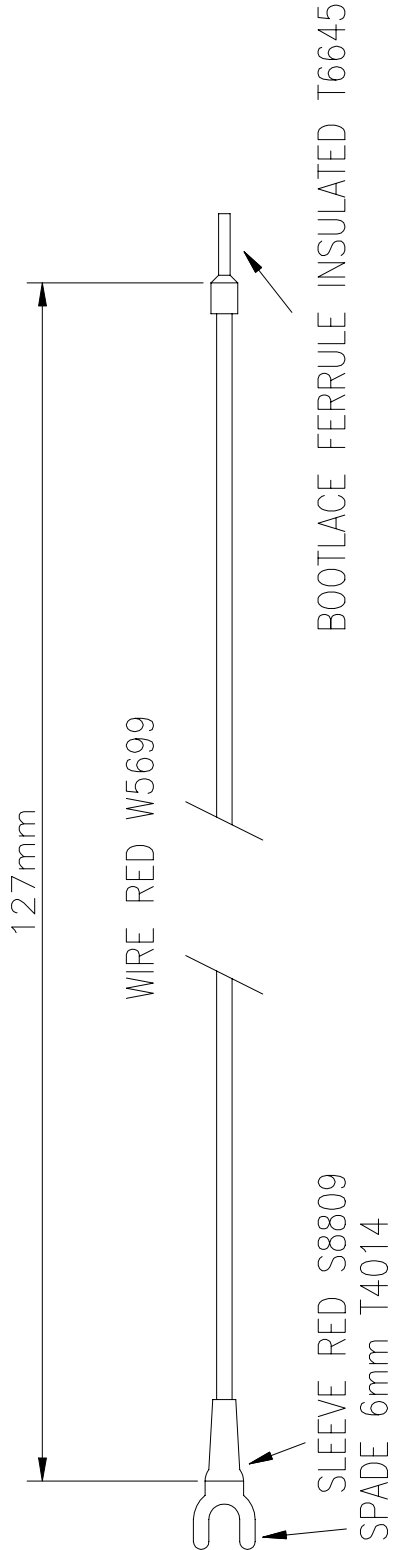
DRG. NO.  
A4021-1 -1

ISS

1

COPYRIGHT © 1998 DATE 09/06/98 DRAWN PLB

ZX6458





TITLE N805 HF CROSSOVER  
SCHEMATIC

DATE 10-12-97

© 1997

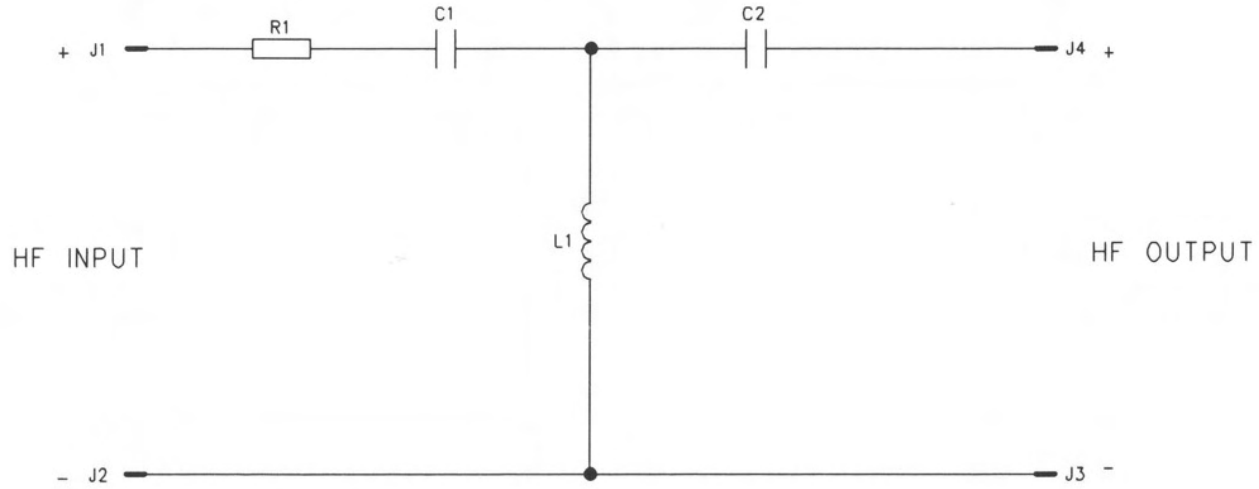
DRAWN PLB

DRG NO.

A3775-2-2

ISSUE

1





TITLE

N805 LF CROSSOVER  
SCHEMATIC

DRG NO.

A3773-2-2

ISSUE

1

DATE

15-12--97

© 1997

DRAWN

PLB

