

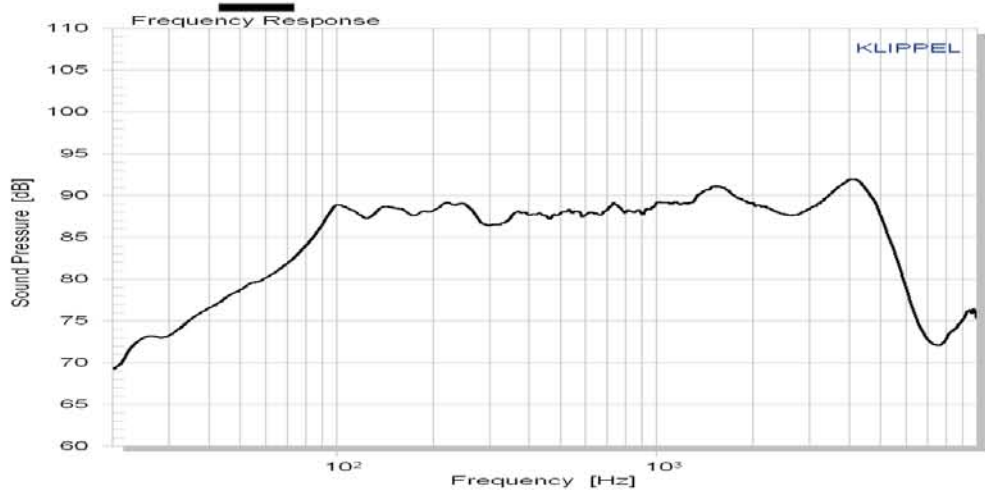
C173-8-094

Bass - midrange driver

DOMEMATERIAL: CERAMIC
APPLICATION: BASS - MIDRANGE
NOMINAL DIAMETER: 173 mm
SENSITIVITY: 88,5 dB

MAIN FEATURES :

- OVERHUNG MOTOR DESIGN
- 38 MM ALUMINIUM VC FORMER
- SOFT RUBBER SURROUND
- VENTED VC, POLE PIECE & SPIDER
- 32 HZ - 2.5 KHZ IN VENTED BOX

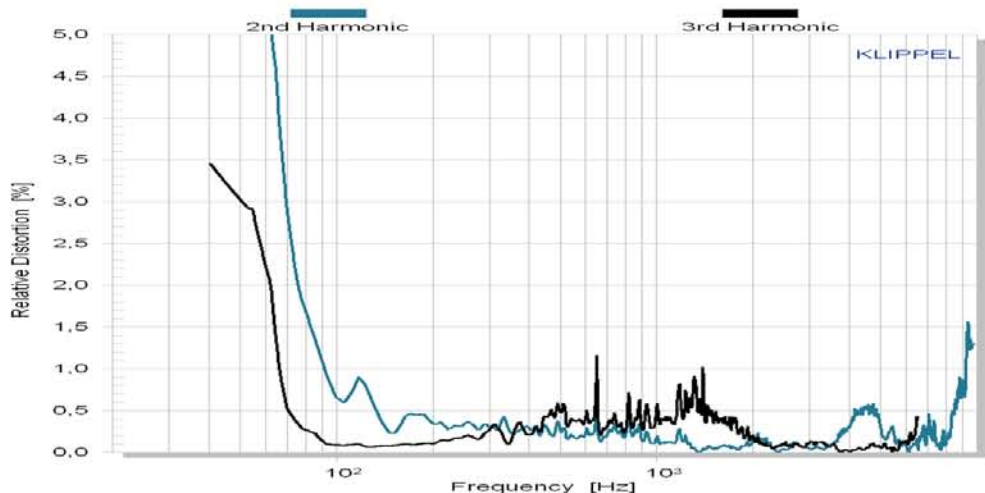
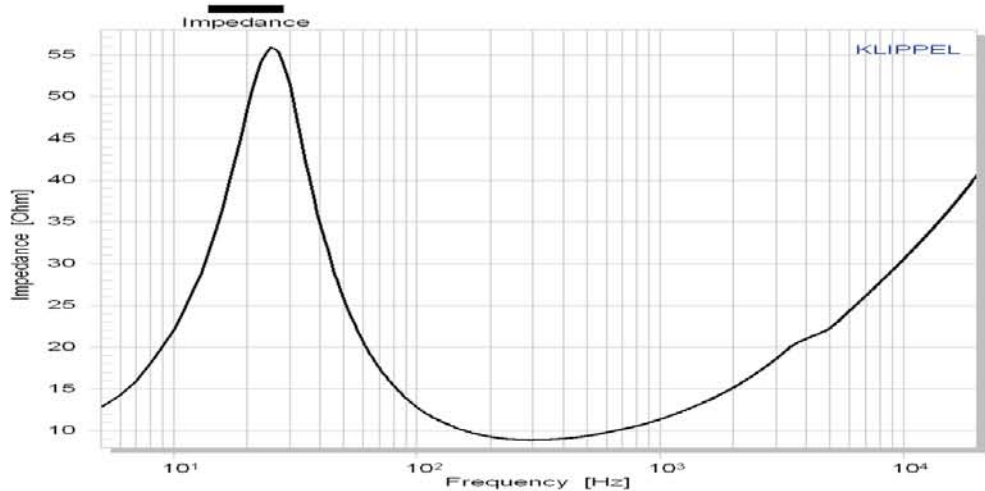


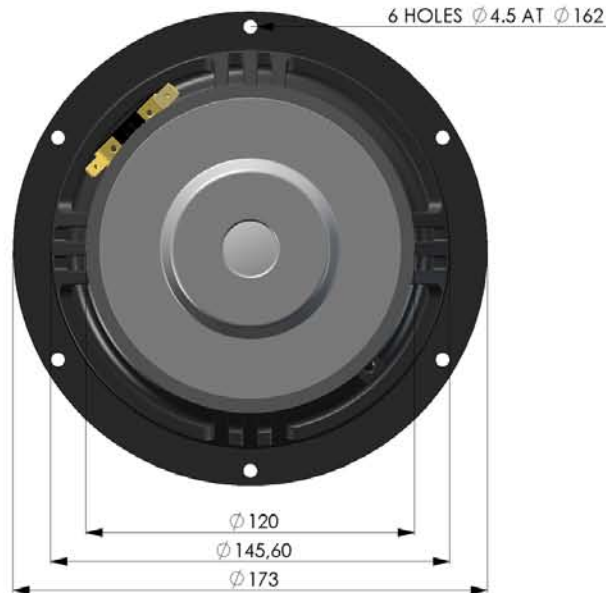
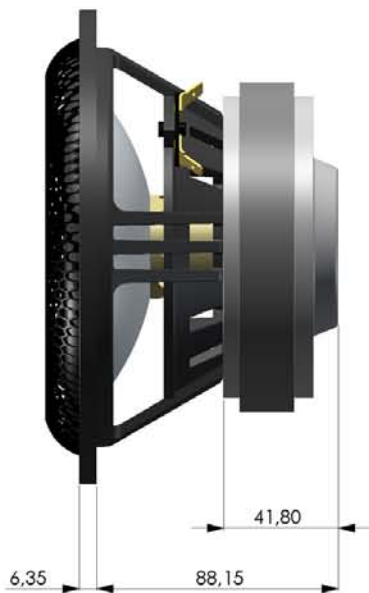
The C173 - 8 - 094 is a 6.5 inch bass-midrange driver with ultra hard ceramic dome.

A FEA optimized overhung motor design with 38 mm aluminium voice coil former guarantees low energy storage and excellent heat transfer.

The low loss rubber surround and a thin fabric spider center the moving parts with high linearity.

As a typical home stereo bass - midrange driver, we recommend our C173-8-094 for an application from 32 Hz - 2500 Hz.





C173-8-094
Bass-midrange driver

Mechanical data		
Overall diameter	173	mm
Cutout diameter	145.6	mm
Frontplate depth	6.35	mm
Overall depth	94.5	mm
Motor assembly diameter	120	mm
Motor assembly depth	41.8	mm
Screw fitting	DIN 7984, 4mm	
Terminal	+ : 6.3 x 0.8 / - : 4.8 x 0.8	mm
Shipping weight / net weight	2.6 / 2.28	kg
Shipping size	210 / 140 / 210	mm

Thiele/Small Parameters			
Sensitivity (2.83V / 1m)	Lp	88.5*	dB
DC-resistance	Re	8.2	Ohm
Resonance frequency	Fs	23	Hz
Equivalent volume of air	Vas	68	L
Mechanical Q	Qms	1.4	
Electrical Q	Qes	0.21	
Total Q	Qts	0.19	
Effective piston area	Sd	130	cm ²
Moving mass	Mms	16.3	g
Suspension compliance	Cms	2.83	mm/N
Mechanical resistance	Rms	1.74	kg x s

Voice Coil data			
Power handling	P	120*	Watt
Linear excursion	Xmax	+/- 5	mm
Voice coil diameter		38	mm
Voice coil former material		Ti	
Voice coil material		Cu	
Voice coil inductance	Le	0.66	mH
Force factor	Bl	9.59	N/A
Motor type		Overhung	
Ferrofluid filling		no	

* Please refer to www.accuton.com for exact measurement conditions and further information.

All rights reserved - All data with reservation and subject to change.

Thiel & Partner GmbH Kantstrasse 1 50259 Pulheim T +49 (0) 2238 / 475475 a.bankewitz@accuton.com