

C220-6-221

Bass driver

DOMEMATERIAL: CERAMIC
APPLICATION: BASS
NOMINAL DIAMETER: 220 mm
SENSITIVITY: 90 dB

MAIN FEATURES :

OVERHUNG MOTOR DESIGN
38 MM TITANIUM VC FORMER
SOFT RUBBER SURROUND
VENTED VC, POLE PIECE & SPIDER
32 HZ - 2 KHZ IN VENTED BOX

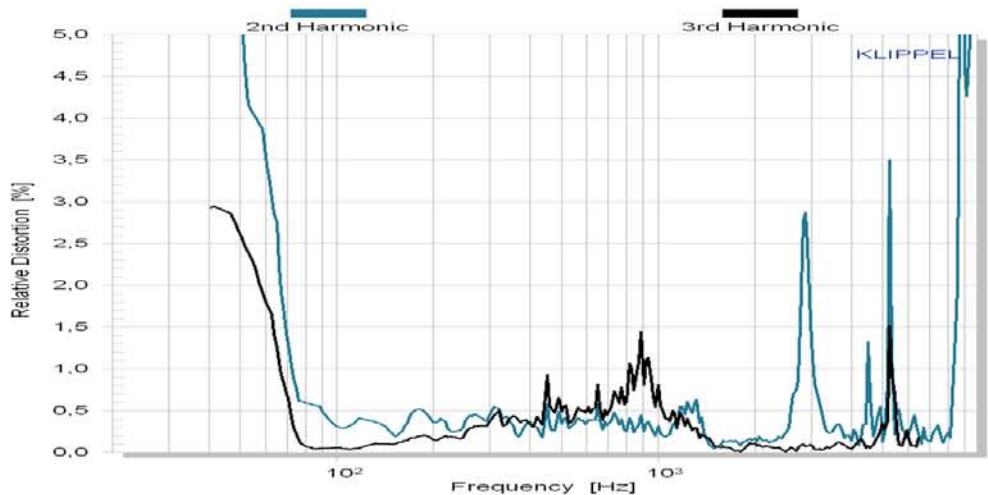
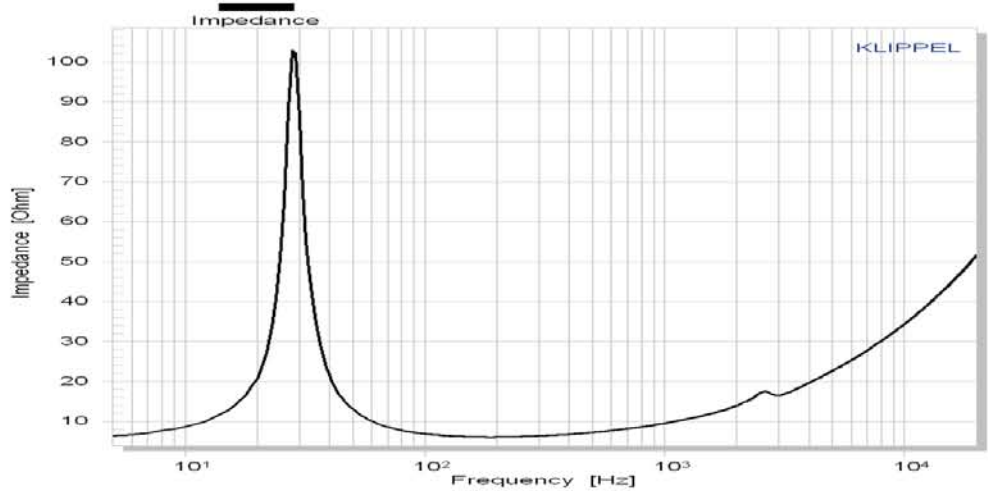
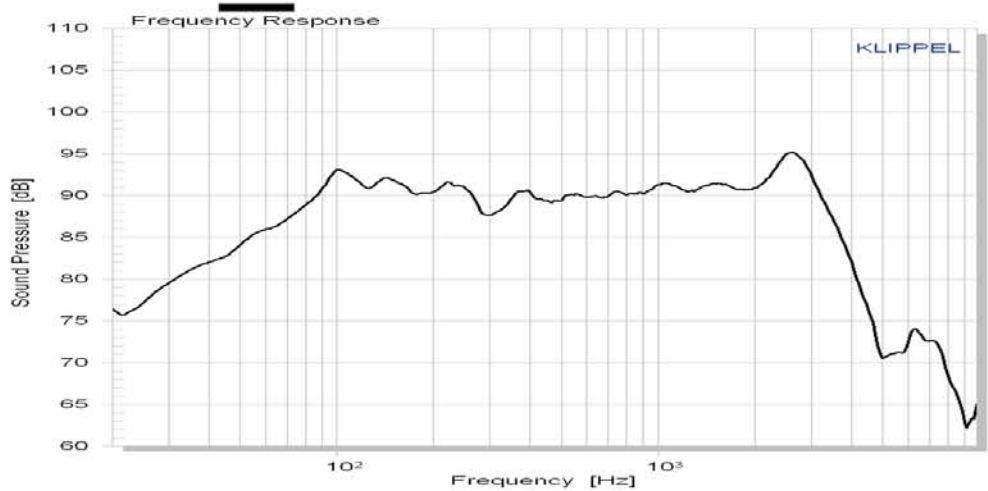


The **C220 – 6 – 221** is an 8 inch bass driver with ultra hard ceramic dome.

A **FEA optimized** overhung motor design with 38 mm titanium voice coil former guarantees low energy storage and excellent heat transfer.

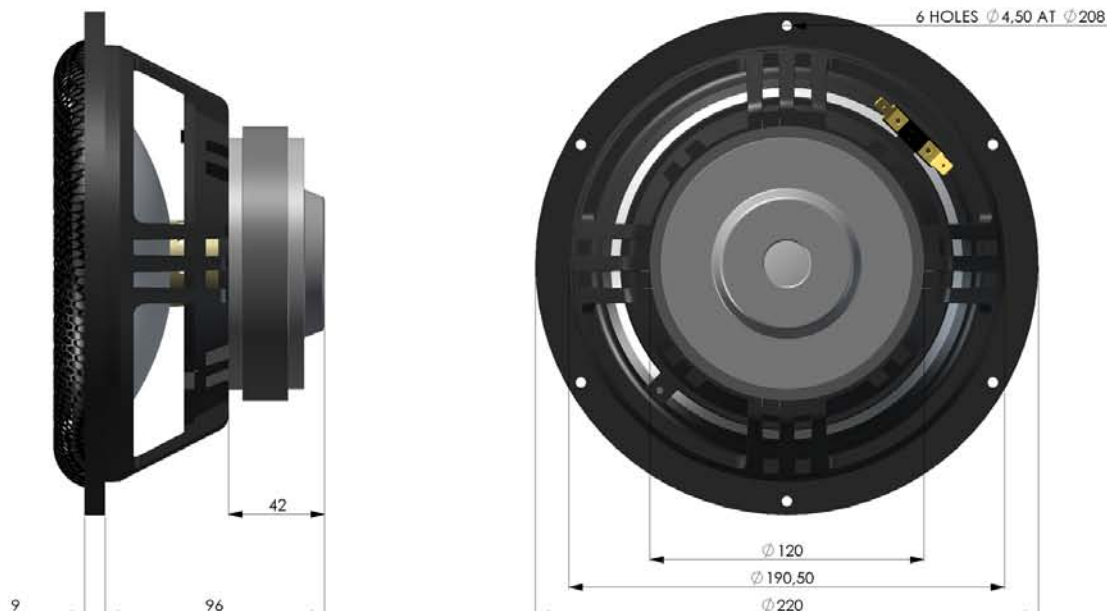
The low loss rubber surround and a **thin fabric spider** center the moving parts with high linearity.

As a typical home stereo bass driver, we recommend our C220-6-221 for an application from 32 Hz - 2000 Hz.





C220-6-221
Bass driver



Mechanical data

Overall diameter	220	mm
Cutout hole diameter	190.5	mm
Frontplate depth	9	mm
Overall depth	105	mm
Motor assembly diameter	120	mm
Motor assembly depth	42	mm
Screw fitting	DIN 7984, 4mm	
Terminal	+ : 6.3 x 0.8 / - : 4.8 x 0.8	mm
Shipping weight / net weight	2.4 / 2.1	kg
Shipping box size	250 / 145 / 250	mm

Thiele/Small Parameters

Sensitivity (2.83V / 1m)	Lp	90*	dB
DC-resistance	Re	5.8	Ohm
Resonance frequency	Fs	28	Hz
Equivalent volume of air	Vas	79	L
Mechanical Q	Qms	7.4	
Electrical Q	Qes	0.39	
Total Q	Qts	0.37	
Effective piston area	Sd	227	cm ²
Moving mass	Mms	30.9	g
Suspension compliance	Cms	1.08	mm/N
Mechanical resistance	Rms	0.72	kg x s

Voice Coil data

Power handling	P	150*	Watt
Linear excursion	Xmax	+/- 5	mm
Voice coil diameter		38	mm
Voice coil former material		Ti	
Voice coil material		Cu	
Voice coil inductance	Le	0.8	mH
Force factor	Bl	8.9	N/A
Motor type		Overhung	
Ferrofluid filling		no	

* Please refer to www.accuton.com for exact measurement conditions and further information.

All rights reserved - All data with reservation and subject to change.

Thiel & Partner GmbH Kantstrasse 1 50259 Pulheim T +49 (0) 2238 / 475475 a.bankewitz@accuton.com