

C90-6-079

Midrange driver

DOMEMATERIAL: CERAMIC
APPLICATION: MIDRANGE
NOMINAL DIAMETER: 130 mm
SENSITIVITY: 87 dB

MAIN FEATURES :

SPECIAL DOME CUTOUTS
OVERHUNG MOTOR DESIGN
38 MM ALUMINIUM VC FORMER
INVERTED THIN FABRIC SURROUND
VENTED POLE PIECE & SPIDER
250 HZ - 5 KHZ IN CLOSED BOX



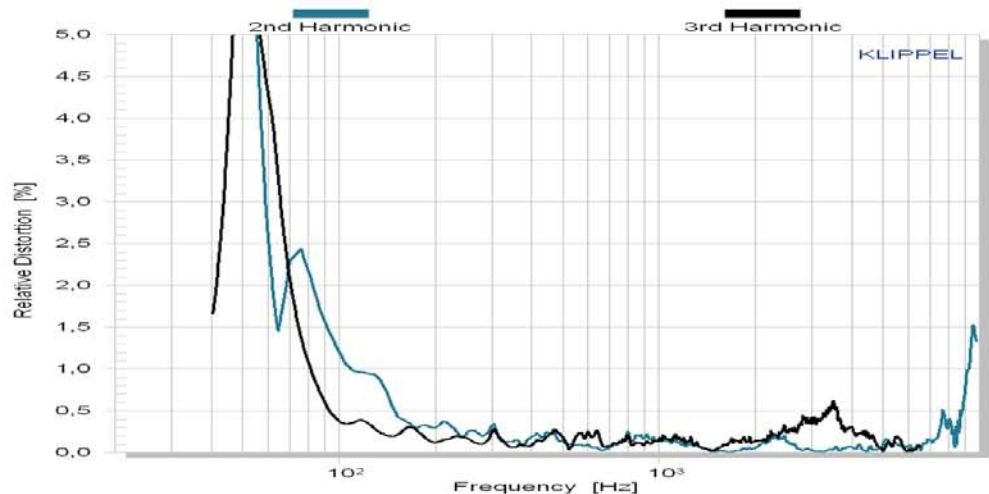
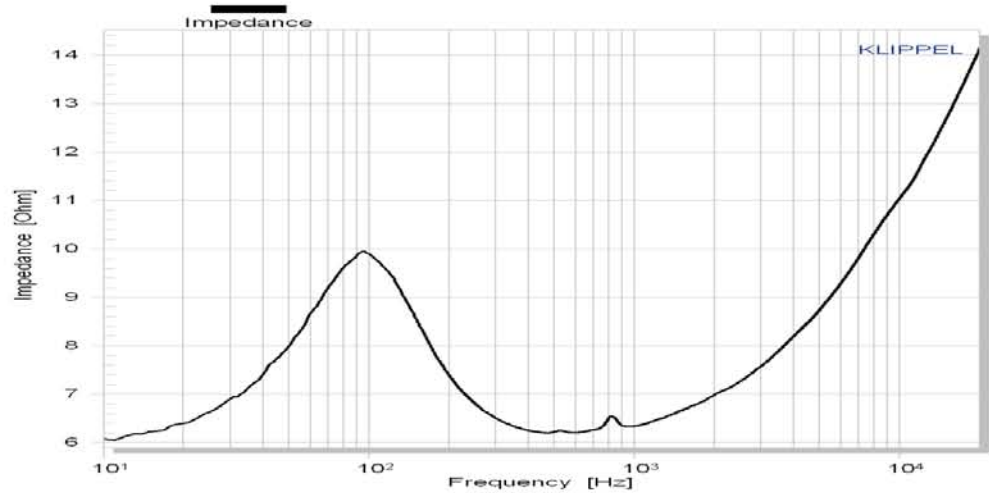
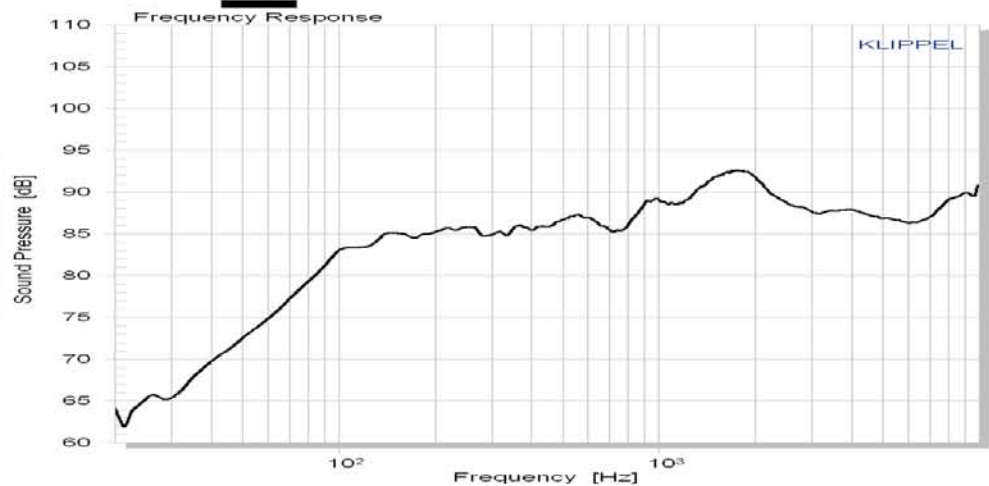
The **C90 - 6 - 079** is a 5 inch midrange driver with ultra hard ceramic dome.

Anti-resonant **cutout fills** in the ceramic dome provide for damping of the 8 kHz dome resonance.

A **FEA optimized** overhung motor design with 38 mm aluminium voice coil former and ferro-fluid filling guarantees excellent heat transfer.

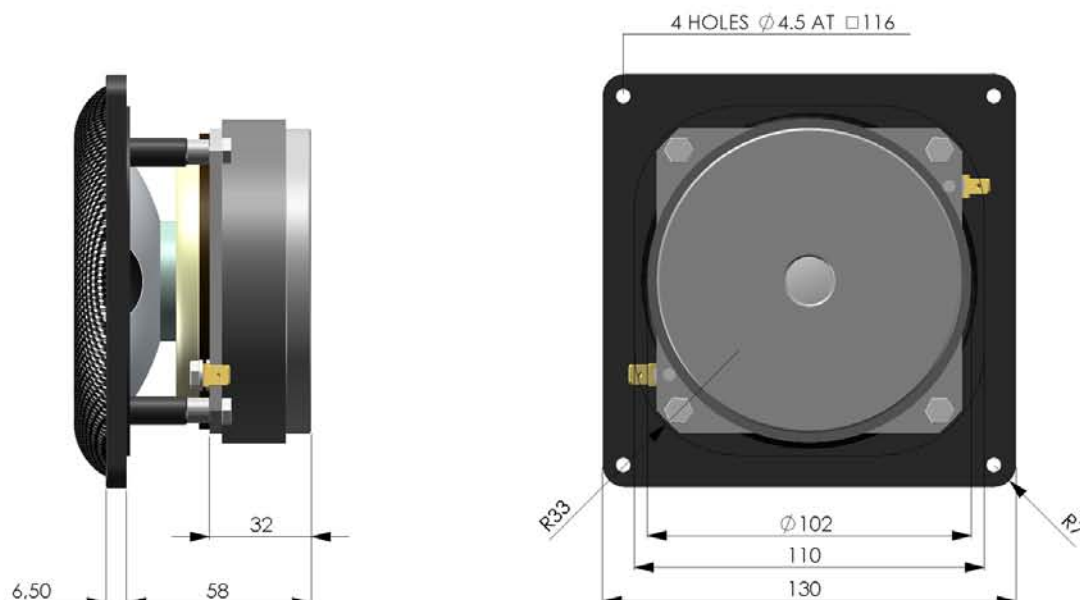
The low mass inverted fabric surround and a **thin fabric spider** center the moving parts with high linearity.

As a typical home stereo midrange driver, we recommend our **C90 - 6 - 079** for an application from 250 Hz – 5000 Hz.





C90 - 6 - 079
Midrange driver



Mechanical data		
Overall square	130	mm
Cutout hole square	111	mm
Frontplate depth	6.5	mm
Overall depth	64.5	mm
Motor assembly diameter	102	mm
Motor assembly depth	32	mm
Screw fitting	DIN 7984, 4mm	
Terminal	+ : 6.3 x 0.8 / - : 6.3 x 0.8	
Shipping weight / net weight (one piece)	2.0 / 1.8	
Shipping size (pair)	180 / 180 / 240	

Thiele/Small Parameters			
Sensitivity (2.83V / 1m)	Lp	87.5*	dB
DC-resistance	Re	5.9	Ohm
Resonance frequency	Fs	105	Hz
Equivalent volume of air	Vas	3.2	L
Mechanical Q	Qms	0.9	
Electrical Q	Qes	1.52	
Total Q	Qts	0.57	
Effective piston area	Sd	75	cm ²
Moving mass	Mms	5.7	g
Suspension compliance	Cms	0.39	mm/N
Mechanical resistance	Rms	4.2	kg x s

Voice Coil data			
Power handling	P	120*	Watt
Linear excursion	Xmax	+/- 2.6	mm
Voice coil diameter		38	mm
Voice coil former material		Al	
Voice coil material		Cu	
Voice coil inductance	Le	0.12	mH
Force factor	Bl	3.84	N/A
Motor type		Overhung	
Ferrofluid filling		yes	

* Please refer to www.accuton.com for exact measurement conditions and further information.

All rights reserved - All data with reservation and subject to change.

Thiel & Partner GmbH Kantstrasse 1 50259 Pulheim T +49 (0) 2238 / 475475 a.bankewitz@accuton.com