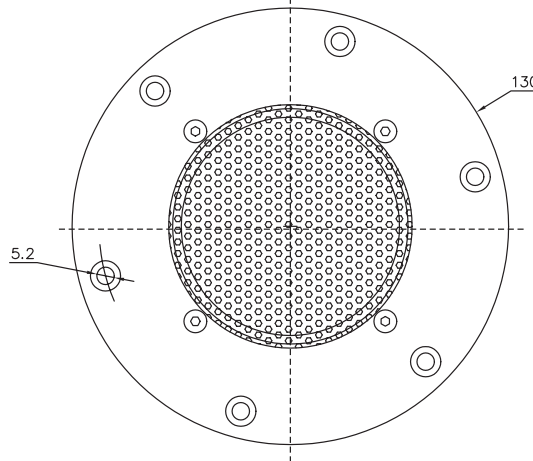
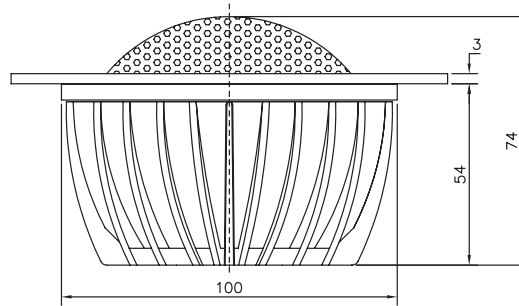


Features

- 2" black anodized aluminum dome
- Low-distortion motor design
- Cast aluminum faceplate
- Neodymium motor
- Protective mesh grill
- Excellent off-axis response

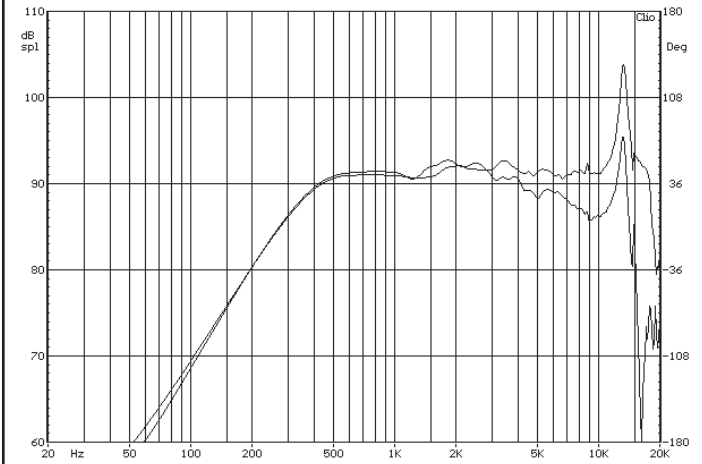
Parameters

Impedance (Ω)	8
Re (Ω)	5.4
Le (mH) @ 1 kHz	0.03
Fs (Hz)	382.9
Qms	2.55
Qes	1.10
Qts	0.77
Mms (g)	
Cms (mm/N)	
Sd (cm ²)	20.4
Vd (liters)	
BL (Tm)	
VAS (liters)	
XMAX (mm)	
VC Diameter (mm)	51
SPL (dB@1W/1m)	91.0
RMS Power Handling (w)	60
Usable Frequency Range (Hz)	500 - 7000



Note: All dimensions in mm.

Frequency Response



Note: Due to testing limitations, response below 200 Hz is not an actual representation.

Impedance/Phase

