

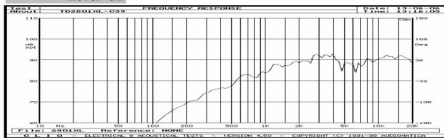
TD2801XL

Φ28mm Soft Dome Tweeter

- Cast aluminum front plate.
- LYECO's special prescriptions doped fabric dome.
- Sophisticated acoustic damping of the rear chamber.
- Ferro fluid cooled voice coil.
- Exceptional clarity and smoothness, even at high SPL.
- Excellent for hi-end 2-way or multi-way speakers system.



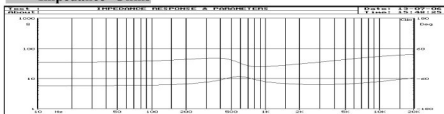
Level- dB



VOICE COIL

Diameter 28 mm
Length 2.4 mm
Former ASV
Layers 2
Wire CCAW

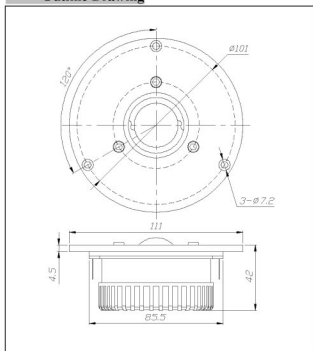
Impedance- Ohms



MAGNET

Diameter 70 mm
Height 15 mm
Weight 228 g
Gap (H) 3 mm
* Ferrite

Outline Drawing



SPECIFICATIONS

Dimension 111 mm
Cone Silk
Surround Silk
Nominal Impedance 8 ohms
Nominal Power Handling 100 W
Program Power Handling 150 W
Sensitivity 92 ± 2 dB
Free air resonance 900 Hz
Frequency range Fo ~ 20k Hz
Net Weight 610 g