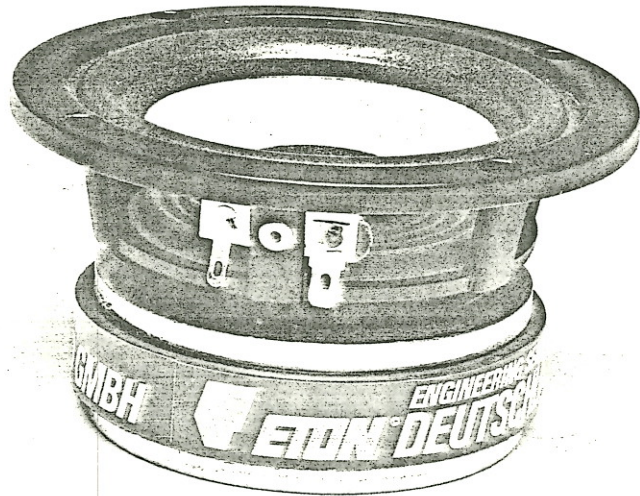
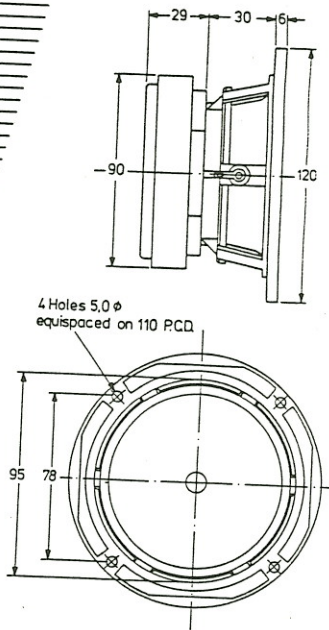


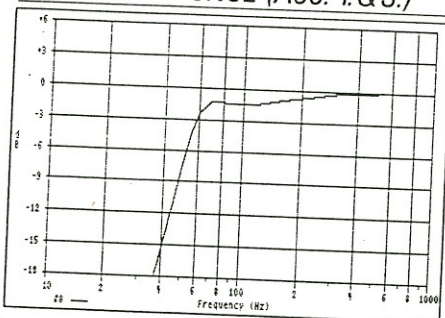
SOPHISTICATED  
LOUDSPEAKER  
TECHNOLOGY

**ETON**

HEXACONE WOOFER MIDRANGE 4-206/25 HE.



CAB. RESPONSE (ACC. T.&S.)

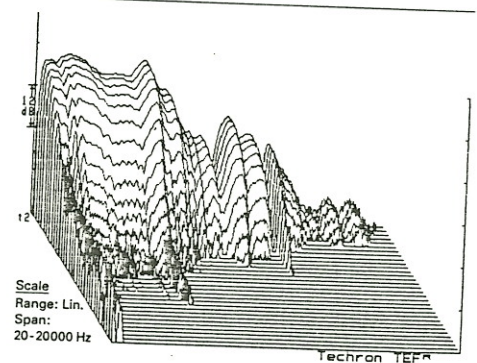
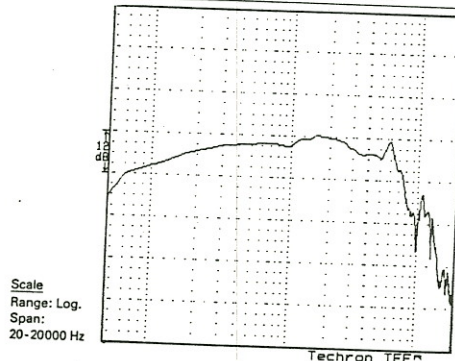


TECHNICAL DATA

4-206/25 HEX			
Nominal Diameter	120 mm	Voice-Coil Diameter	25,6 mm
Frequency-Range	60-6000 Hz	Voice-Coil Winding-Height	12 mm
Impedance	Z 4 Ω	Voice-Coil Former Material	Kapton
DC-Resistance	R <sub>E</sub> 2,9 Ω	Voice-Coil Inductance	0,17 mH
Resonant Frequency	F <sub>S</sub> 59 Hz	Flux-Density	1,2 T
Total Q-Factor	Q <sub>TS</sub> 0,327	Magnet-Size	90 mm
Electrical Q-Factor	Q <sub>ES</sub> 0,35	Air-Gap Height	6 mm
Mechanical Q-Factor	Q <sub>MS</sub> 5,10	Linear Excursion	X <sub>max</sub> ± 3,0 mm
Emissive Piston Area	S <sub>D</sub> 55,41 cm <sup>2</sup>	Sensitivity	90 dB/W/m
Equivalent Air Volume	V <sub>AS</sub> 4,2 l	Power Capacity, continuous	70 W
Compliance	C <sub>MS</sub> 1,0 m/N	Power Capacity, 10 ms	500 W
Moving Mass	M <sub>MD</sub> 7,1 g	Diaphragm Material	HEXACONE
Cabinet Suggestion	vented 3,6 l	Coating	yes

FREQUENCY RESPONSE

FFT 3D



From the superious 4-203/25 HEX we derived a slightly changed version called 4-206/25 HEX, being qualified for use in small vented boxes down to 90 Hz (-3 dB), as required for under-statement monitor speakers.

Als Baßmitteltöner für kleine Monitorlautsprecher steht unter der Bezeichnung 4-206/25 HEX eine abgewandelte Version des impulsstarken Mitteltöners 4-203/25 HEX zur Verfügung. Diese Type kann im Reflexgehäuse ab ca. 90 Hz eingesetzt werden.

