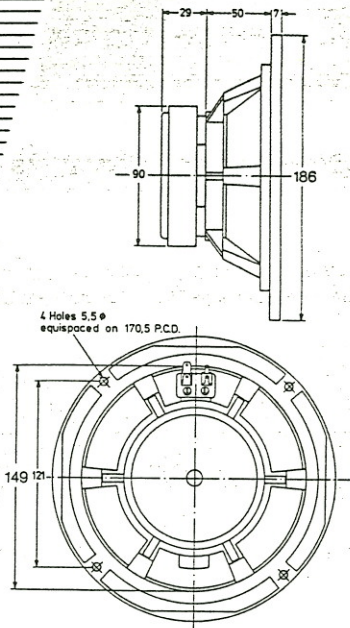


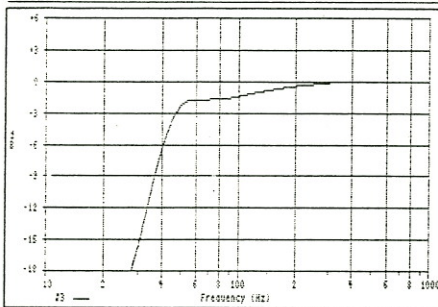
SOPHISTICATED
LOUDSPEAKER
TECHNOLOGY

ETON

POLYPROPYLENE WOOFER MIDRANGE 7-330/25 PP



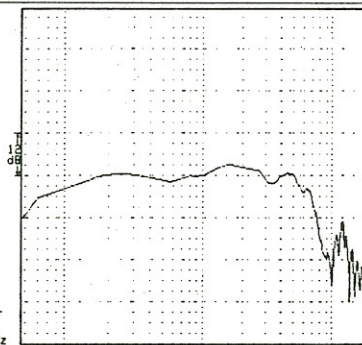
CAB. RESPONSE (ACC. T.&S.)



TECHNICAL DATA

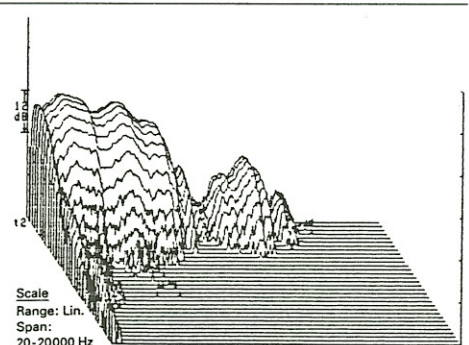
7-330/25 PP			
Nominal Diameter	185 mm	Voice-Coil Diameter	26,4 mm
Frequency-Range	42-4000 Hz	Voice-Coil Winding-Height	12 mm
Impedance	Z 8 Ω	Voice-Coil Former Material	Alu
DC-Resistance	R _E 6,2 Ω	Voice-Coil Inductance	0,19 mH
Resonant Frequency	F _S 44 Hz	Flux-Density	1,2 T
Total Q-Factor	Q _{TS} 0,32	Magnet-Size	90 mm
Electrical Q-Factor	Q _{ES} 0,41	Air-Gap Height	6 mm
Mechanical Q-Factor	Q _{MS} 1,50	Linear Excursion	X _{max} ± 3,0 mm
Emissive Piston Area	S _D 132,73 cm ²	Sensitivity	90 dB/W/m
Equivalent Air Volume	V _{AS} 25 l	Power Capacity, continuous	70 W
Compliance	C _{MS} 1,0 m/N	Power Capacity, 10 ms	500 W
Moving Mass	M _{MD} 12,5 g	Diaphragm Material	Polypropylene
Cabinet Suggestion	vented 20 l	Coating	no

FREQUENCY RESPONSE



Scale
Range: Log.
Span: 20-20000 Hz

FFT 3D



Scale
Range: Lin.
Span: 20-20000 Hz

With the 7-330/25PP, you get an excellent woofer/midrange for compact floor or shelf speakers. Mounted in a medium size vented box, it provides a tuning frequency of about 49 Hz.

Mit dem 7-330/25PP erhalten Sie einen ausgezeichneten Baßmitteltöner für kompakte Stand- oder Regallautsprecher. Bei Einbau in mittelgroße Reflexgehäuse kann eine Abstimmfrequenz von ca. 50 Hz erreicht werden.

