



Features

25mm Silk dome tweeter, hand coated Silk diaphragm, rich and warm sound impression, authentic staging, uncolored sound reproduction.

25 mm Gewebe Hochtöner, handbeschichtete Gewebekalotte, voller, warmer Klang, authentische Raumabbildung, neutrale Klangeigenschaften.

#1.6263.05

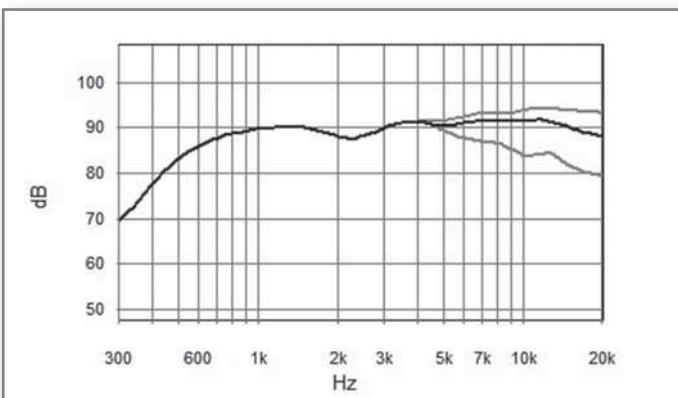
Main technical data

Nominal impedance	Z_n	8	Ω
DC resistance	R_e	6.5	Ω
Resonance frequency 1W	f_r	710	Hz
Resonance frequency TSP	f_r	-	Hz
Suspension compliance	C_{MS}	-	mm/N
Mechanical Q	Q_{ms}	-	
Electrical Q	Q_{es}	-	
Total Q	Q_{ts}	-	
Mechanical resistance	R_{MS}	-	kg/s

Total moving mass (incl. air mass)	M_{MD}	0.21	g
Effective piston area	S_D	6.8	cm ²
Voice coil inductance	L_e	0.02	mH
Force factor	$B_L \cdot x_l$	3.7	Tm
Xmax electrical	+/-	0.4	mm
Xmax mechanical	+/-	1.2	mm
Equivalent air vol. of suspension	V_{AS}	-	dm ³
Characteristic SPL 1 Watt/1m		92	dB SPL
Rated power		100*	W

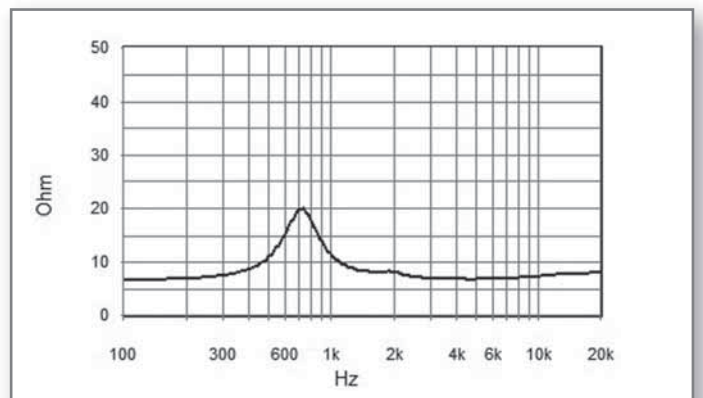
*with crossover

Frequency response

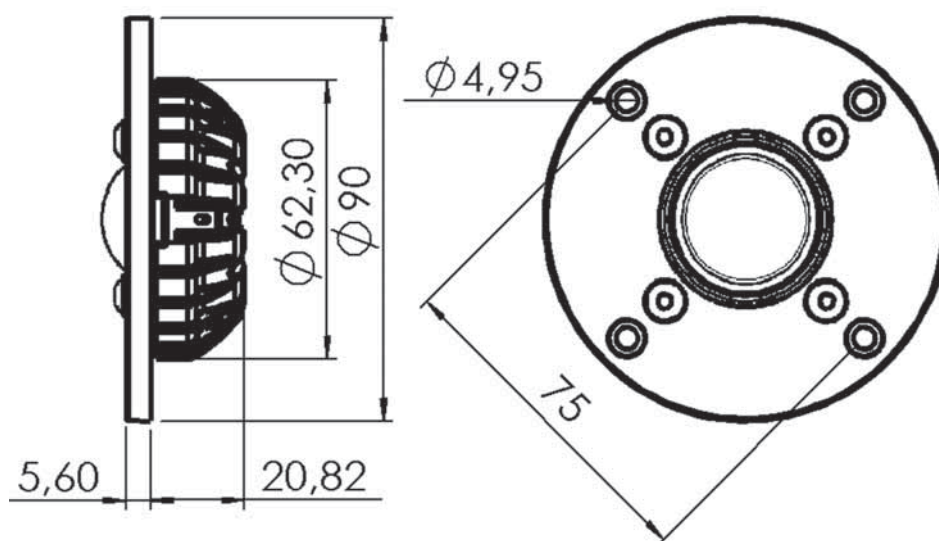


SPL 2,83 V/1m; black 30°, grey 0,60°
Half space; baffle 40x30 cm

Impedance



Measured free air without baffle



Mechanical data

Overall diameter	90	mm
Volume cap diameter	62.3	mm
Frame depth	5.6	mm
Overall depth	26.5	mm
Screw holes diameter	5/ 8	mm
Terminal	4.8/ 4.8	mm
Weight	0.25	kg

Voice coil

Diameter	25	mm
Height	1.2	mm
Wire material	Aluminium, Cu clad	
Former material	Aluminium	
Layers	2	

Magnet

Flux density	1.8	T
Height of gap	2	mm
Material	Neodymium	
Dimension	55 x 32	mm
Height	3	mm
Motor type	Underhung	
Ferrofluid	no	

Other data

Recommended frequency range	2000-22000	Hz
-----------------------------	------------	----