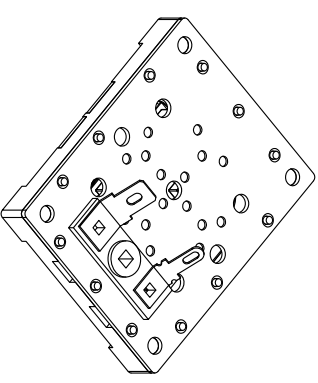
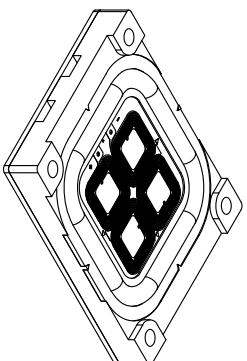
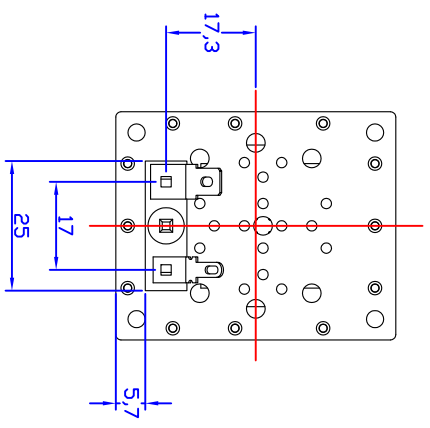
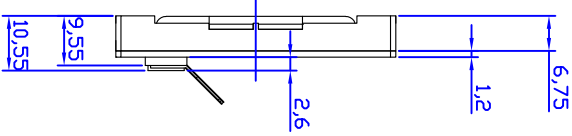
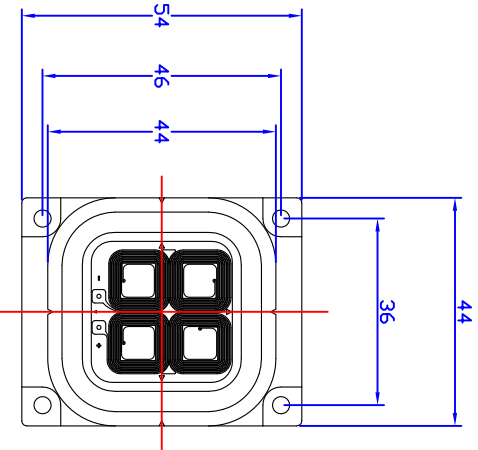


Document Name		Specifications Sheet		
Product Name :		Flat Speaker		
Customer's Part No. :				
Our Part No. :		FPS0202N3R2		
Item		Specifications		
1	Type(Dia, Stru..F-rng)	31 x 31mm, Flat, 170Hz-20kHz		
2	Rated (MAX) Input	3W (6W Max.)		
3	Rated Impedance	8Ω±15%		
4	Resonance Freq (fo)	170Hz±10%		
5	Sound Pressure Level	78dB±3dB 1W 0.5m (AVR 300,400,500,3k,4k,5k Hz)		
6	Flux Density	1.1 T (1T=10,000 GAUSS)		
7	Polarity	When a positive DC current is applied to the voice coil terminal marked PLUS, the diaphragm shall move		
8	Terminal	positive side : #205 or equivalent negative side : #110 or equivalent		
9	Mass	38g		
10	Magnet	Rare Earth 10 x 10 x 3 4pcs		
11	Outside Dimensions	W44mm x H54mm x D8mm		
Life Test				
1	Heat Resistance	70°C 20-50%, 96 Hours		
2	Cold Resistance	-40°C, 96 Hours		
3	Humidity Resistance	92-96%, 40°C, 96 Hours		
4	Load Test	15-25°C, 96 Hours		
5	Withstand Voltage Test	AC 100V 1M Ω UPPER		
6	Environmental Standard	Comply with RoHS		
7	Pass Criterion	Fulfill the specification of the after-test following.		
	Representative frequency response	1W/0.5m / JIS C5532		
8				
9	APVD. Anamoto	CHK. Ito	DRAW. Kuniyuki	Product Dept. Date May.13. 2008
FPS INC. Tokyo Japan				

改訂 REVISION

RevNo Revision note

Date Singnature Checked



No.	PART NAME	PART No.	QTY	MATERIAL	SIZE	REMARKS	CL	CHG No.	REVISION	DATE	CHKD
1											
2											
3											
4											
5											

Itemref	Quantity	Title/Name designation, material, dimension etc	Article No./Reference
DRAW: K.Mizuno		Checked by	Date 08.07.02
FPPS INC. 株式会社エフピーエス		Approved by - date	Scale
FPPS0202N3R2 外觀図		File name	
EV-0202N3R2		Edition	Sheet