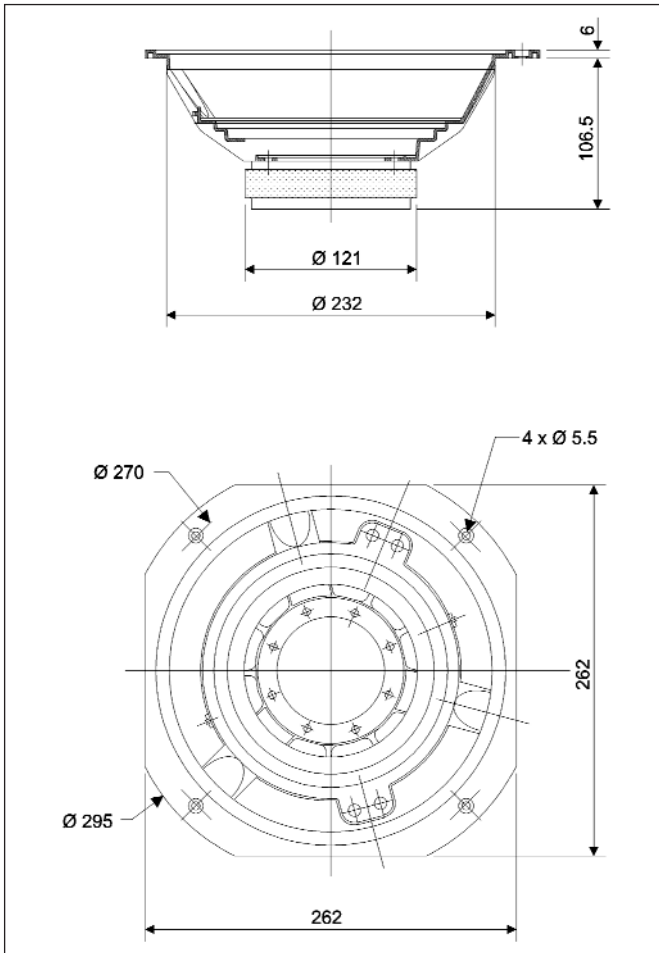
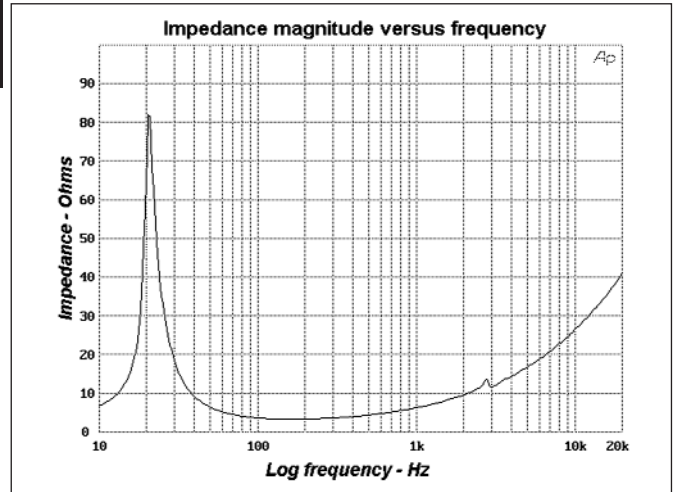
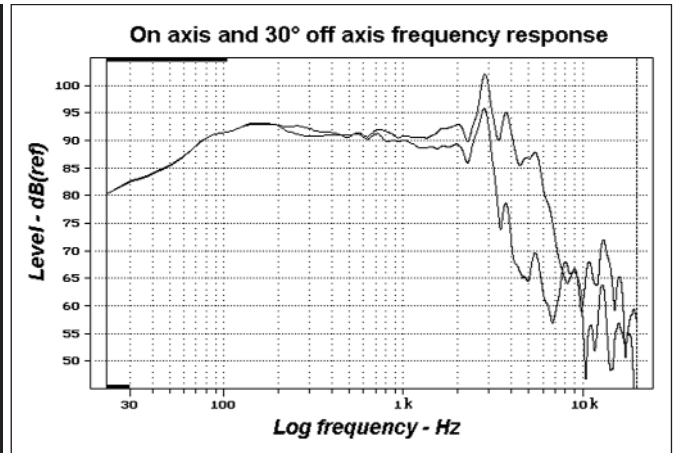


- Thick zamak alloy metal cast frame
- Straight profile paper cone (long fibers), very compliant rubber surround
- 40 mm diameter dual voice coil, Kapton™ former
- Efficiency : 90.6 dB
- Excellent for small size vented subwoofer in three pieces systems

10 C 5411 DB

10" dual v.c. woofer


DRAWING

MEASUREMENTS

SPECIFICATIONS

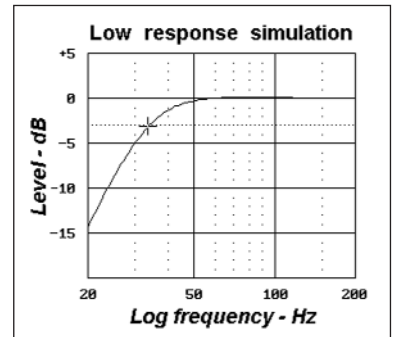
Nominal power handling	100	W
Program power handling	150	W
Sensitivity	92.1	dB (2.8V/1m)
Cone	Coated paper	
Surround	Rubber	
Nominal impedance	2 x 8	Ω
DC resistance	2 x 5.5	Ω
VC diameter	40	mm
VC height	13	mm
Former	Kapton™	
Layers	4	
Wire	Copper	
Inductance	0.66	mH
Xmax	3.5	mm
Magnet diameter x height	121 x 30	mm x mm
Magnet weight	876	g
Flux density	1.1	T
Gap height	6	mm
Net weight	3	kg

PARAMETERS

Fs	23.9	Hz
Vas	148.4	l
Qts	0.26	
Qes	0.27	
Qms	12.66	
Re	2.6	Ω
Sd	346.4	cm²
Cas	106E-8	m²/N
Mas	496.9	kg/m⁴
Ras	41.8	Ω.ac
Cms	881E-6	m/N
Mms	50.2	g
Rms	596	g/s
Ces	685.1	μF
Les	64.5	mH
Res	122.8	Ω
Bl	8.6	N/A
SPL	90.6	dB/W/m

SIMULATION

Ql:	7	Ω
Rg:	0.8	
Qts (+Rg):	0.34	



Vb:	65	l
Fb:	28.4	Hz
F-3:	33.6	Hz