

# 10 W 6411

## 10" W® cone woofer



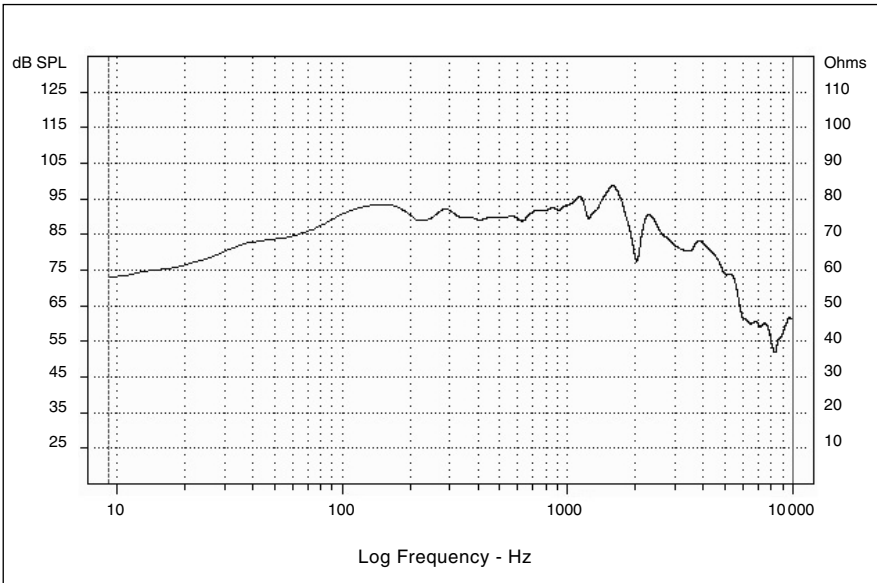
- Thick zamak alloy metal cast frame
- Straight profile "W"® cone, large rubber surround
- Edgewound flat copper wire 40mm voice coil, black Kapton® former
- Efficiency: 90.5dB
- Superb bass definition for high resolution in 50 to 60l vented systems



### Specifications

Nominal power	100 W	
Maximum power	200 W	
Sensitivity	89.3 dB	
Cone	"W"®	
Surround	rubber	
Nom. impedance	5 ohms	
DC resistance	5.1 ohms	
VC diameter	40 mm	6.2 in
VC height	22 mm	0.87 in
Former	Kapton®	
Layers	2	
Wire	copper	
Inductance	1.48 mH	
Xmax	8 mm	0.31 in
Magnet d x h	134 x 20 mm	5.27 x 0.78 in
Magnet weight	1160 g	2.56 lb
Flux density	1.25 T	
Gap height	6 mm	0.24 in
Net weight	3.7 kg	8.15 lb

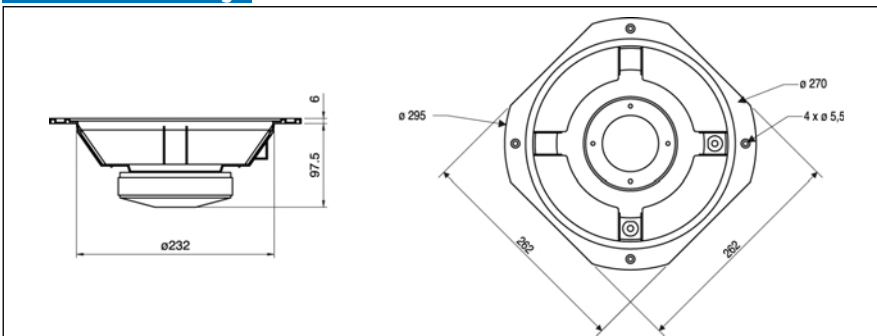
### Frequency Response / Impedance



### Parameters

Fs	43.7 Hz	
Vas	42.3 l	2581.3 in3
Qts	0.45	
Qes	0.48	
Qms	7.41	
Re	5.1 ohms	
Sd	346.4 Cm <sup>2</sup>	53.7 in <sup>2</sup>
Cas	301E-09 m5/N	
Mas	44.1 kg/m4	
Ras	1632 ohms.ac	
Cms	0251E-6 m/N	
Mms	52.86 g	0.117 lb
Rms	1.96 g/s	
Ces	342.9 mF	
Les	38.7 mH	
Res	78.7 ohms	
BI	12.42 N/A	
SPL	90.5 dB/W/m	

### Mechanical Drawing



### Suggested application

Load	V (l)	Fb (Hz)	F-3 (Hz)	QI
Vented	50	40.5	39	7
Vented	60	38	34.1	7

Focal® is a trademark of Focal-JMLab®