

11 K 7512

11" Polykevar® woofer



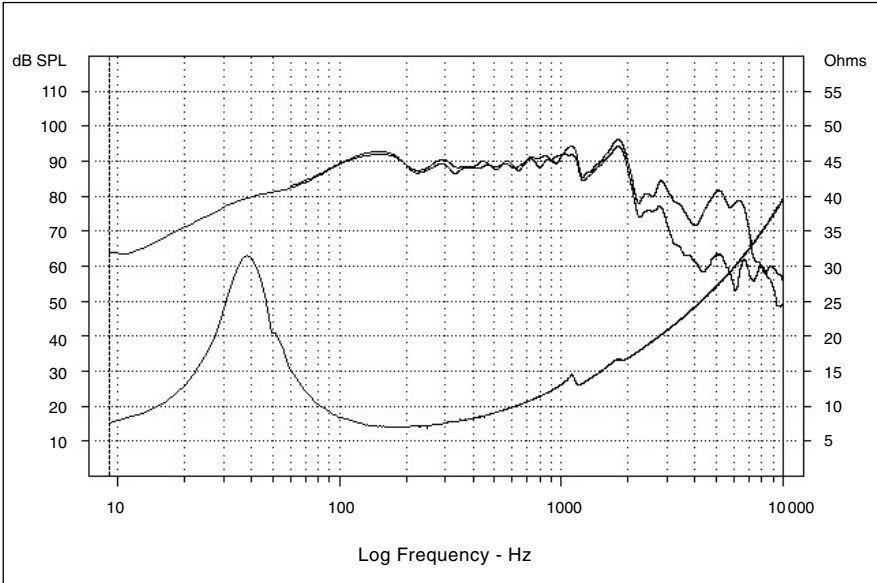
- Thick zamak alloy metal cast frame
- Straight profile Polykevar® cone, large rubber surround
- Long throw 50mm voice coil, black aluminium former
- Efficiency: 90dB
- Outstanding performance in 60 to 80l vented systems, high impact



Specifications

Nominal power	175 W	
Maximum power	225W	
Sensitivity	89.31 dB	
Cone	Kevlar®	
Surround	rubber	
Nom. impedance	6 ohms	
DC resistance	5.75 ohms	
VC diameter	50 mm	7.75 in
VC height	26 mm	1.02 in
Former	aluminium	
Layers	1	
Wire	copper	
Inductance	1.24 mH	
Xmax	9 mm	0.35 in
Magnet d x h	156 x 20 mm	6.14 x 0.78 in
Magnet weight	1412 g	3.11lb
Flux density	0.9 T	
Gap height	8 mm	0.31 in
Net weight	5 kg	11.02 lb

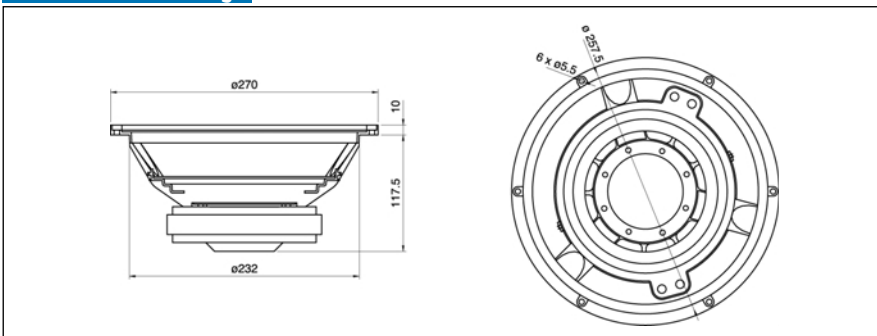
Frequency Response / Impedance



Parameters

Fs	38 Hz	
Vas	51.9 l	3167.1 in3
Qts	0.35	
Qes	0.43	
Qms	1.97	
Re	5.75 ohms	
Sd	346.4 Cm ²	53.7 in ²
Cas	369E-09 m5/N	
Mas	47.6 kg/m4	
Ras	5764.6 ohms.ac	
Cms	0308E-6 m/N	
Mms	57.12 g	0.126 lb
Rms	6.92 g/s	
Ces	313.5 mF	
Les	56.1 mH	
Res	26.3 ohms	
BI	13.5 N/A	
SPL	90 dB/W/m	

Mechanical Drawing



Suggested application

Load	V (l)	Fb (Hz)	F-3 (Hz)	Ql
Vented	60	41	38	7
Vented	80	41.3	36.7	7

Focal® is a trademark of Focal-JMLab®