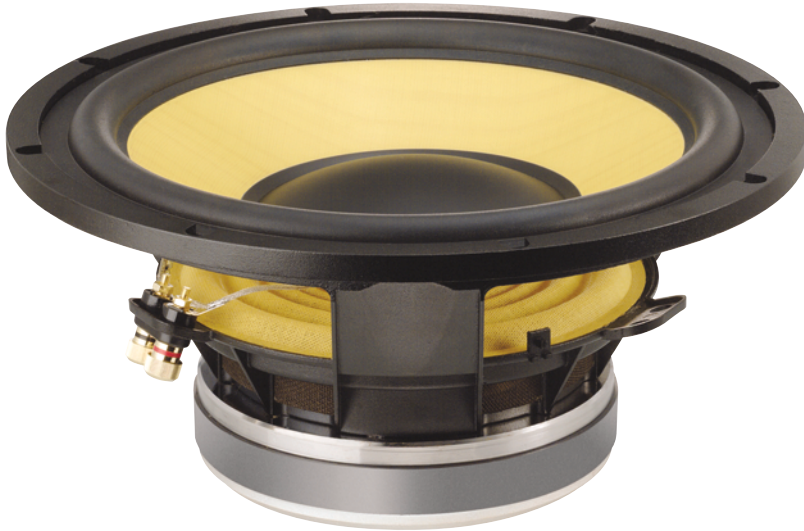


# 13 K 8711

13" Polykevlar® woofer



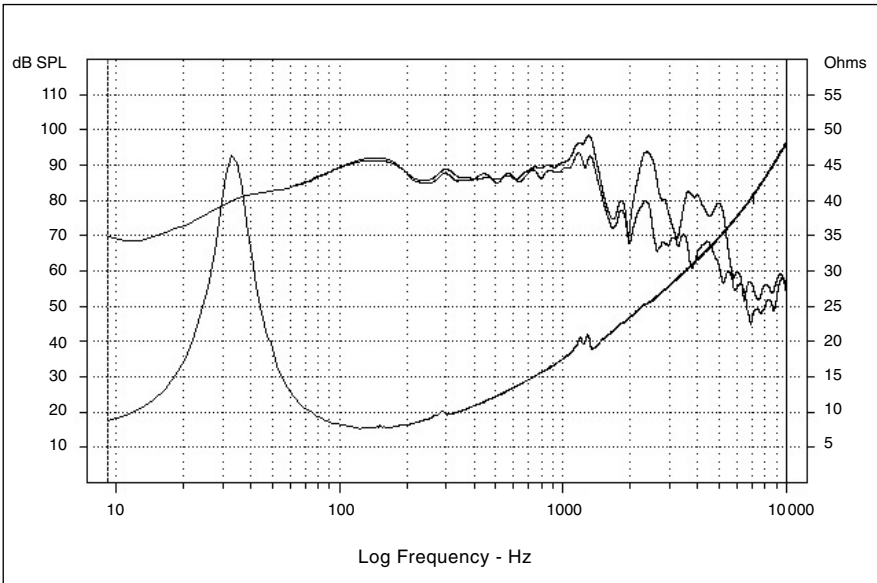
- Thick zamak alloy metal cast frame
- Straight profile Polykevlar® cone, large rubber surround
- Edgewound flat copper wire 77mm voice coil, black aluminium former
- Efficiency: 91dB
- Tremendous authority, superb bass response in 80l vented systems



## Specifications

Nominal power	175 W	
Maximum power	300 W	
Sensitivity	90.21 dB	
Cone	Kevlar®	
Surround	rubber	
Nom. impedance	6 ohms	
DC resistance	6.4 ohms	
VC diameter	77 mm	11.94 in
VC height	22 mm	0.87 in
Former	aluminium	
Layers	1	
Wire	copper	
Inductance	1.66 mH	
Xmax	6 mm	0.24 in
Magnet d x h	180 x 20 mm	7.08 x 0.78 in
Magnet weight	1800 g	3.97 lb
Flux density	1 T	
Gap height	10 mm	0.39 in
Net weight	9 kg	19.84 lb

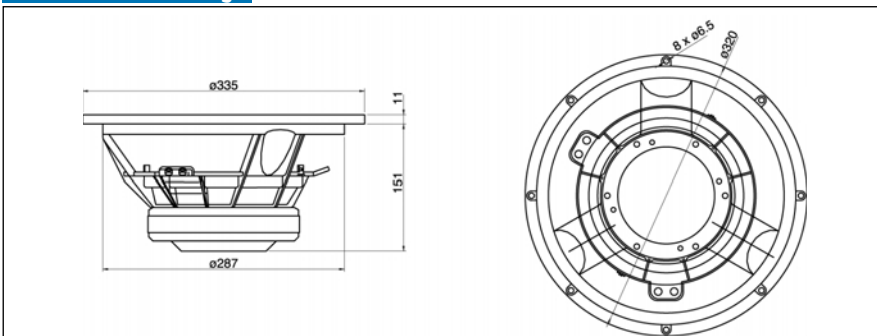
## Frequency Response / Impedance



## Parameters

Fs	31.2 Hz	
Vas	120.5 l	7353.4 in <sup>3</sup>
Qts	0.37	
Qes	0.44	
Qms	2.23	
Re	6.4 ohms	
Sd	551.5 Cm <sup>2</sup>	85.5 in <sup>2</sup>
Cas	858E-09 m5/N	
Mas	30.3 kg/m4	
Ras	2665 ohms.ac	
Cms	0282E-6 m/N	
Mms	92.19 g	0.203 lb
Rms	8.11 g/s	
Ces	350.6 mF	
Les	74.2 mH	
Res	32.4 ohms	
BI	16.22 N/A	
SPL	91.1 dB/W/m	

## Mechanical Drawing



## Suggested application

Load	V (l)	Fb (Hz)	F-3 (Hz)	Ql
Vented	45	43	39	7
Vented	60	37	35	7

Focal® is a trademark of Focal-JMLab®