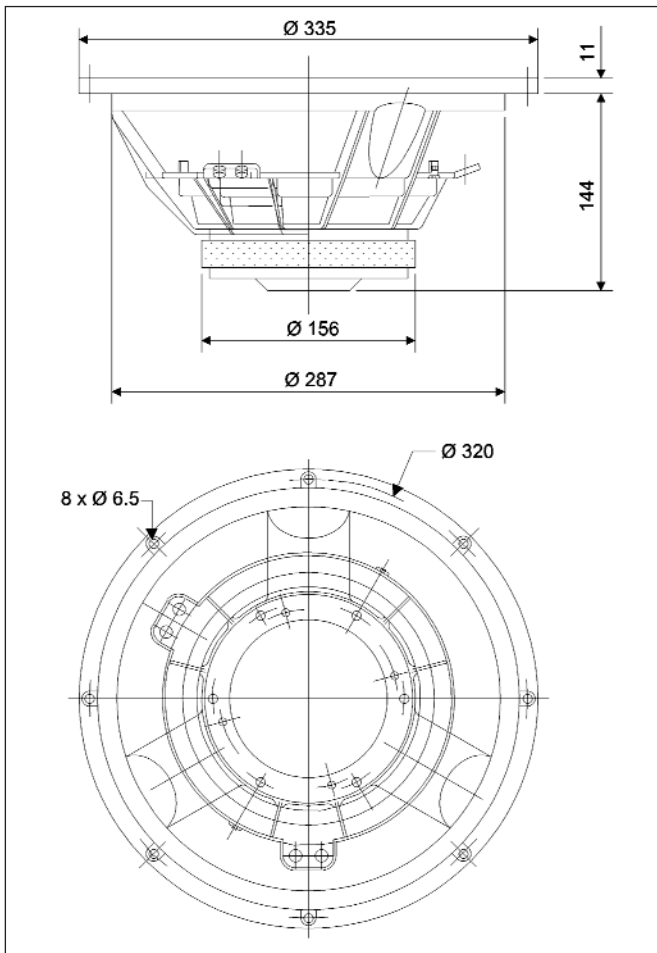


AUDIOPHILE SERIES

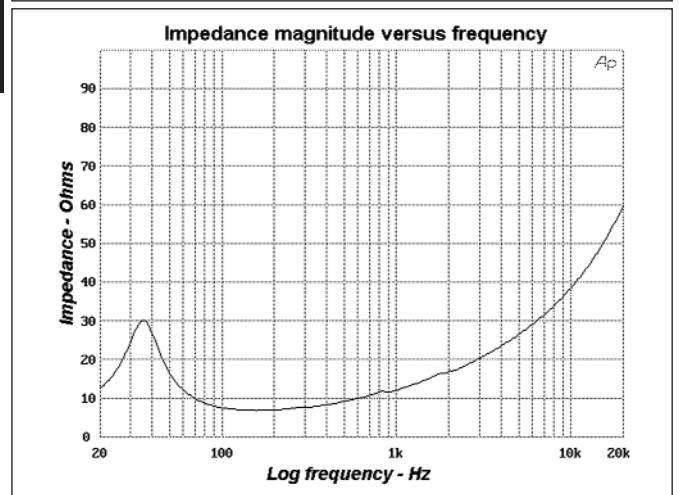
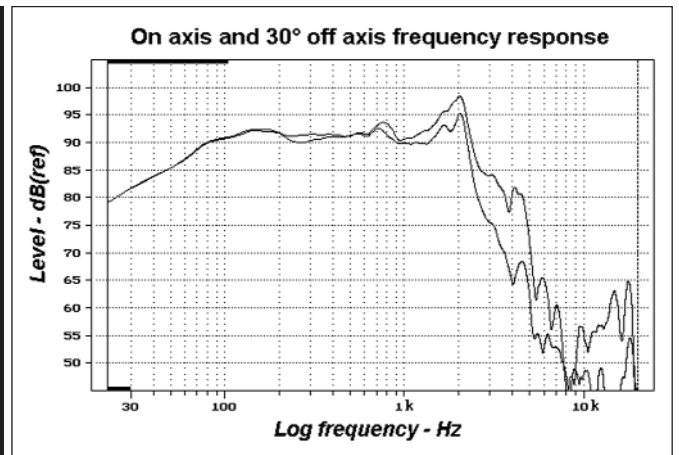
- Thick zamak alloy metal cast frame
- Straight profile Polyglass cone, large rubber surround
- Long throw 50 mm voice coil, black aluminium former
- Efficiency : 92.1 dB
- Outstanding woofer/subwoofer optimum performance in 120 l vented box



DRAWING



MEASUREMENTS



SPECIFICATIONS

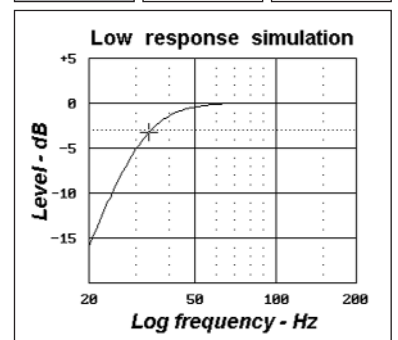
Nominal power handling	175	W
Program power handling	225	W
Sensitivity	92.3	dB (2.8V/1m)
Cone	Polyglass	
Surround	Rubber	
Nominal impedance	8	Ω
DC resistance	6	Ω
VC diameter	50	mm
VC height	26	mm
Former	Black Aluminium	
Layers	1	
Wire	Copper	
Inductance	1.16	mH
Xmax	9	mm
Magnet diameter x height	156 x 20	mm x mm
Magnet weight	1412	g
Flux density	1.2	T
Gap height	8	mm
Net weight	6.1	kg

PARAMETERS

Fs	31.2	Hz
Vas	154.2	l
Qts	0.35	
Qes	0.43	
Qms	1.98	
Re	6.0	Ω
Sd	510.7	cm ²
Cas	110E-8	m ² /N
Mas	23.7	kg/m ⁴
Ras	2 345.2	Ω.ac
Cms	421E-6	m/N
Mms	61.8	g
Rms	6 121	g/s
Ces	364.9	μF
Les	71.3	mH
Res	27.7	Ω
Bl	13.0	N/A
SPL	92.2	dB/W/m

SIMULATION

Ql:	7	Ω
Rg:	1.0	
Qts (+Rg):	0.40	



Vb:	120	l
Fb:	31.1	Hz
F-3:	33.6	Hz