

# 13 W 8711

## 13" W® cone woofer



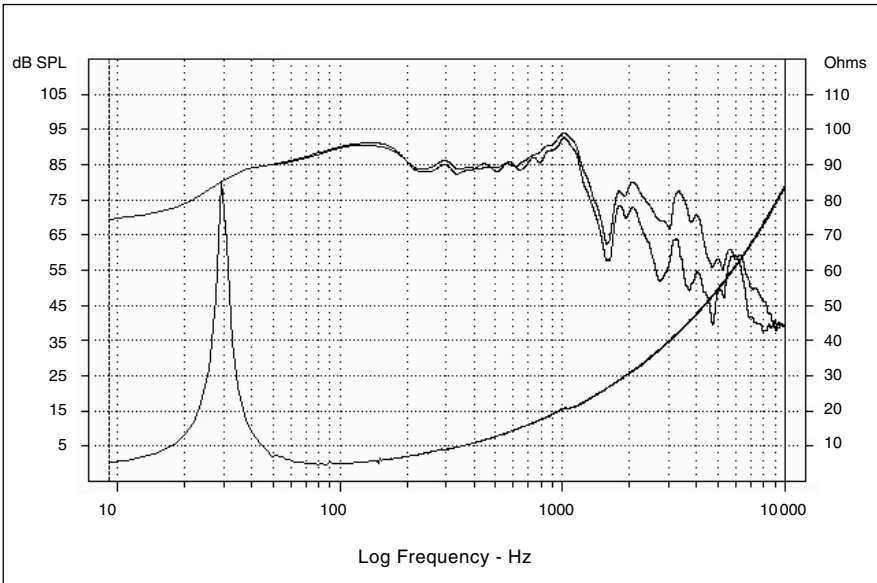
- Thick zamak alloy metal cast frame
- Straight profile "W"® cone, large rubber surround
- Edgewound flat copper wire 77mm voice coil, black aluminium former
- Efficiency: 89.7dB
- Superb bass definition for high resolution 60 to 70l vented systems



### Specifications

Nominal power	175 W	
Maximum power	300 W	
Sensitivity	89.19 dB	
Cone	"W"®	
Surround	rubber	
Nom. impedance	6 ohms	
DC resistance	3.5 ohms	
VC diameter	77 mm	11.94 in
VC height	28 mm	1.10 in
Former	aluminium	
Layers	1	
Wire	copper	
Inductance	2.37 mH	
Xmax	9 mm	0.35 in
Magnet d x h	180 x 20 mm	7.08 x 0.78 in
Magnet weight	1800 g	3.97 lb
Flux density	1.1 T	
Gap height	10 mm	0.39 in
Net weight	9 kg	19.84 lb

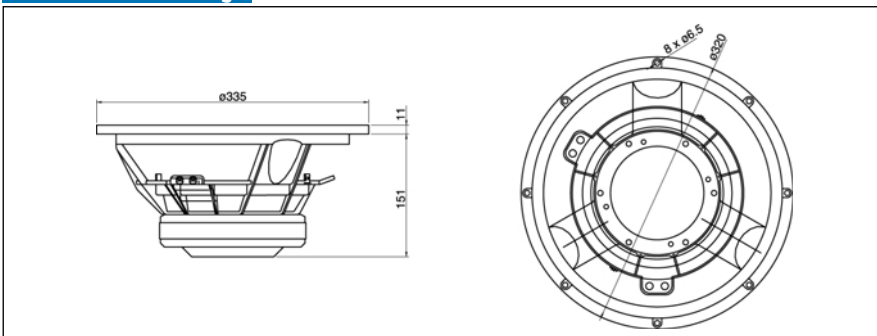
### Frequency Response / Impedance



### Parameters

Fs	28.8 Hz	
Vas	87.1 l	5315.2 in3
Qts	0.33	
Qes	0.34	
Qms	9.13	
Re	3.5 ohms	
Sd	551.5 Cm <sup>2</sup>	85.5 in <sup>2</sup>
Cas	620E-09 m5/N	
Mas	49.4 kg/m <sup>4</sup>	
Ras	977.2 ohms.ac	
Cms	0204E-6 m/N	
Mms	150.19 g	0.331 lb
Rms	2.97 g/s	
Ces	537.6 mF	
Les	57 mH	
Res	94 ohms	
BI	16.71 N/A	
SPL	89.7 dB/W/m	

### Mechanical Drawing



### Suggested application

Load	V (l)	Fb (Hz)	F-3 (Hz)	Ql
Vented	80	36	36	7
Vented	120	33.7	32	7

Focal® is a trademark of Focal-JMLab®