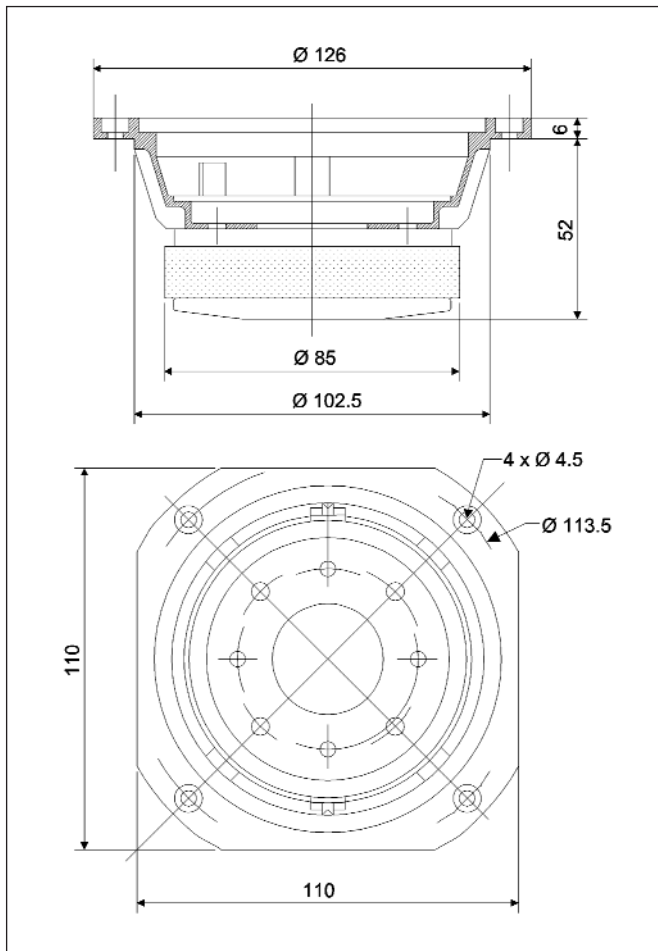
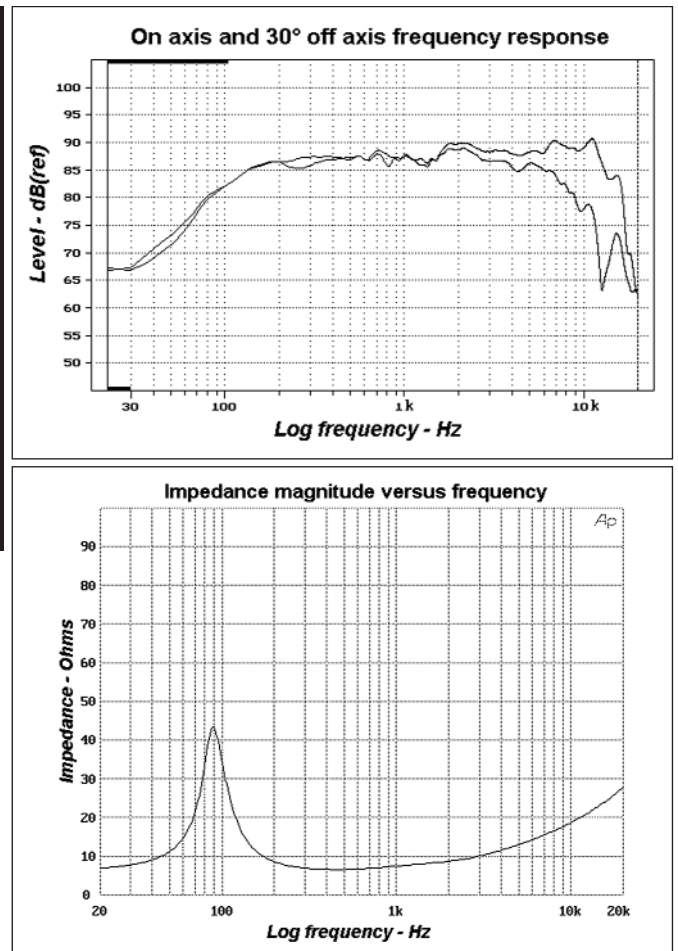


- Thick zamak alloy metal cast frame
- Semi exponential Polyglass cone, inverted rubber surround
- 25 mm diameter voice coil, Nomex™ former
- Efficiency : 88.5 dB
- Extended high frequency response

4 V 3211

4" Polyglass midrange


DRAWING

MEASUREMENTS

SPECIFICATIONS

| | | |
|--------------------------|-----------|--------------|
| Nominal power handling | 40 | W |
| Program power handling | 100 | W |
| Sensitivity | 88.5 | dB (2.8V/1m) |
| Cone | Polyglass | |
| Surround | Rubber | |
| Nominal impedance | 8 | Ω |
| DC resistance | 6.2 | Ω |
| VC diameter | 25 | mm |
| VC height | 7.5 | mm |
| Former | Nomex™ | |
| Layers | 2 | |
| Wire | Copper | |
| Inductance | 0.23 | mH |
| Xmax | 1.25 | mm |
| Magnet diameter x height | 85 x 15 | mm x mm |
| Magnet weight | 361 | g |
| Flux density | 1.15 | T |
| Gap height | 5 | mm |
| Net weight | 1 | kg |

PARAMETERS

| | | |
|-----|----------|-------------------|
| Fs | 77.4 | Hz |
| Vas | 4.6 | l |
| Qts | 0.48 | |
| Qes | 0.54 | |
| Qms | 4.77 | |
| Re | 6.2 | Ω |
| Sd | 54.1 | cm ² |
| Cas | 326E-10 | m ² /N |
| Mas | 13 235.8 | kg/m ⁴ |
| Ras | 129.8 | Ω .ac |
| Cms | 111E-5 | m/N |
| Mms | 3.8 | g |
| Rms | 387 | g/s |
| Ces | 179.9 | μ F |
| Les | 23.5 | mH |
| Res | 54.5 | Ω |
| Bl | 4.6 | N/A |
| SPL | 87.8 | dB/W/m |

SIMULATION

| | | |
|------------|--|----------|
| Ql: | | Ω |
| Rg: | | |
| Qts (+Rg): | | |
| Vb: | | I |
| Fb: | | Hz |
| F-3: | | Hz |