

5 K 3212 B

5-1/4" Polykevlar® woofer-midrange



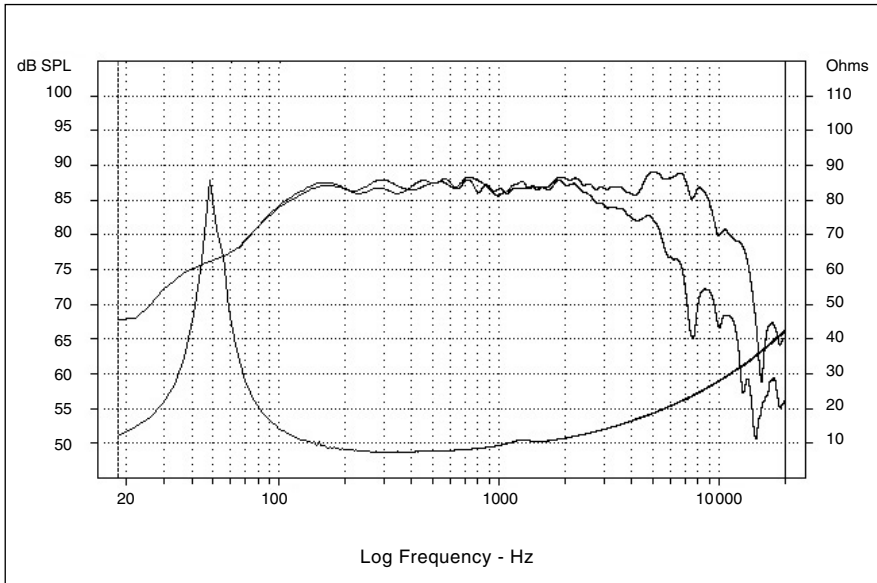
- Thick zamak alloy metal cast frame
- Semi exponential Polykevlar® cone, rubber surround
- 25mm diameter voice coil, Nomex® former, phase plug
- Efficiency: 89.1dB
- Robust and efficient midbass



Specifications

Nominal power	50 W	
Maximum power	70 W	
Sensitivity	88.17 dB	
Cone	Kevlar®	
Surround	rubber	
Nom. impedance	6 ohms	
DC resistance	6.6 ohms	
VC diameter	25 mm	3.88 in
VC height	12.4 mm	0.49 in
Former	Nomex®	
Layers	2	
Wire	copper	
Inductance	0.6 mH	
Xmax	3.2 mm	0.13 in
Magnet d x h	85 x 18 mm	3.34 x 0.70 in
Magnet weight	361 g	0.80 lb
Flux density	1.15 T	
Gap height	6 mm	0.24 in
Net weight	1.9 kg	4.19 lb

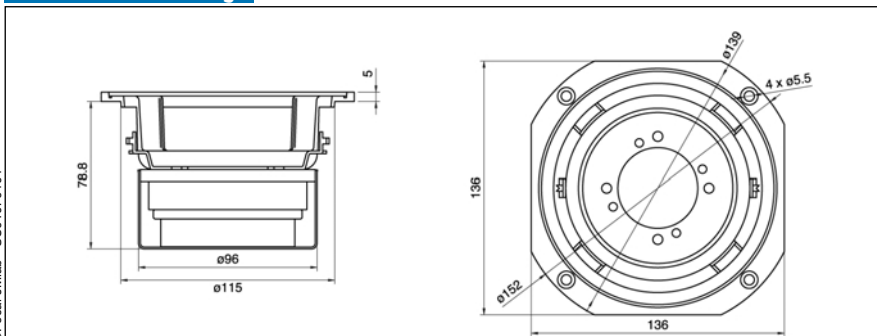
Frequency Response / Impedance



Parameters

Fs	49 Hz	
Vas	14.8 l	903.2 in3
Qts	0.30	
Qes	0.33	
Qms	3.83	
Re	6.6 ohms	
Sd	86.6 Cm ²	13.4 in2
Cas	106E-09 m5/N	
Mas	99.9 kg/m4	
Ras	8033.4 ohms.ac	
Cms	1407E-6 m/N	
Mms	7.49 g	0.017 lb
Rms	0.60 g/s	
Ces	162.3 mF	
Les	64.9 mH	
Res	76.6 ohms	
BI	6.79 N/A	
SPL	89.1 dB/W/m	

Mechanical Drawing



Suggested application

Load	V (l)	Fb (Hz)	F-3 (Hz)	QI
Vented	10	66.2	62	7

Focal® is a trademark of Focal-JMLab®