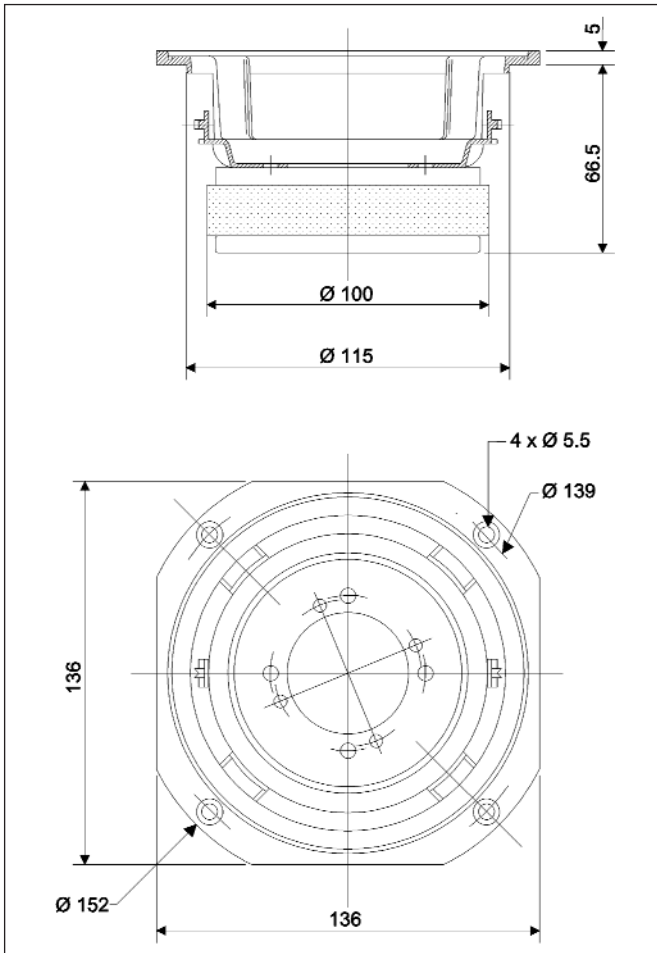
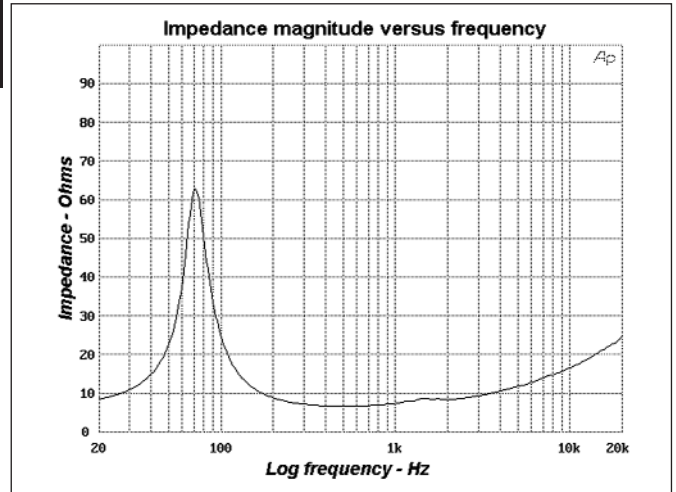
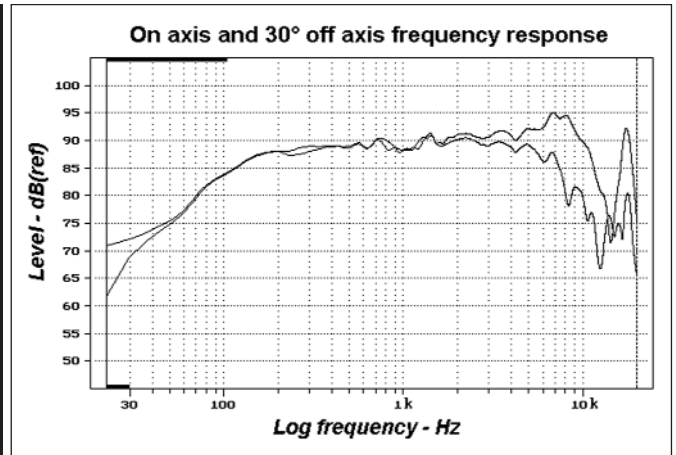


- Thick zamak alloy metal cast frame
- Semi exponential ultra light PolyKevlar® cone, rubber surround
- Edgewound flat aluminium wire 40 mm voice coil, Kapton™ former, phase plug
- Efficiency : 91 dB
- Very high resolution midrange, low resonance frequency

# 5 K 4411

## 5" Polykevlar® midrange


**DRAWING**

**MEASUREMENTS**

**SPECIFICATIONS**

Nominal power handling	70	W
Program power handling	150	W
Sensitivity	91	dB (2.8V/1m)
Cone	Polykevlar®	
Surround	Rubber	
Nominal impedance	8	Ω
DC resistance	6	Ω
VC diameter	40	mm
VC height	7	mm
Former	Kapton™	
Layers	1	
Wire	Aluminium	
Inductance	0.24	mH
Xmax	1.55	mm
Magnet diameter x height	100 x 18	mm x mm
Magnet weight	564	g
Flux density	1.06	T
Gap height	6	mm
Net weight	1.6	kg

**PARAMETERS**

Fs	70.7	Hz
Vas	7.7	l
Qts	0.32	
Qes	0.34	
Qms	4.27	
Re	6.1	Ω
Sd	86.6	cm²
Cas	551E-10	m²/N
Mas	92.2	kg/m⁴
Ras	9 580.9	Ω.ac
Cms	734E-6	m/N
Mms	6.9	g
Rms	718	g/s
Ces	125.0	μF
Les	40.6	mH
Res	77.0	Ω
Bl	7.4	N/A
SPL	90.9	dB/W/m

**SIMULATION**

Ql:		Ω
Rg:		
Qts (+Rg):		
Vb:		l
Fb:		Hz
F-3:		Hz