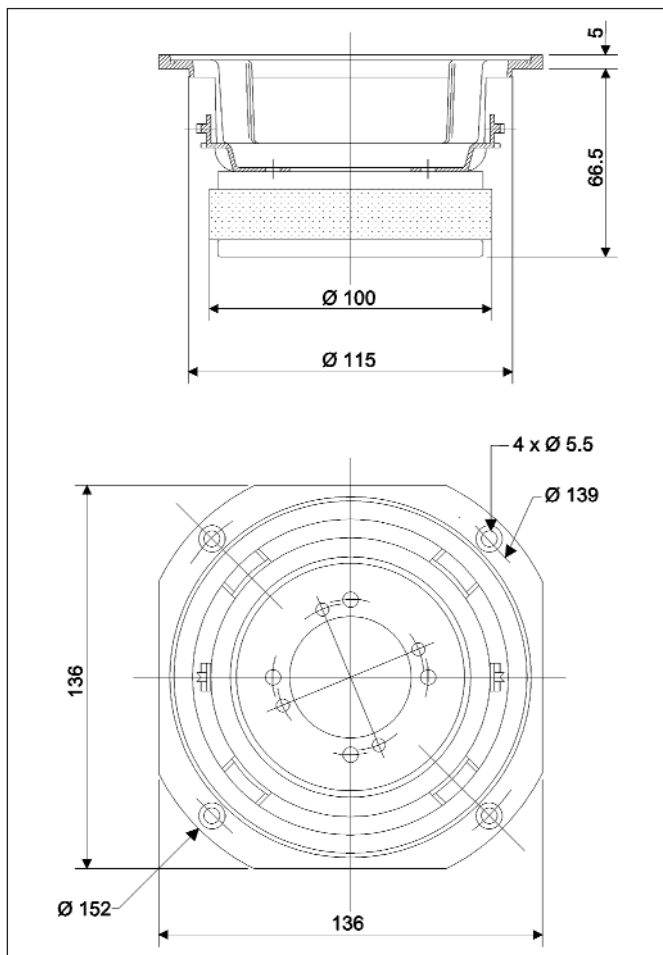


AUDIOPHILE SERIES

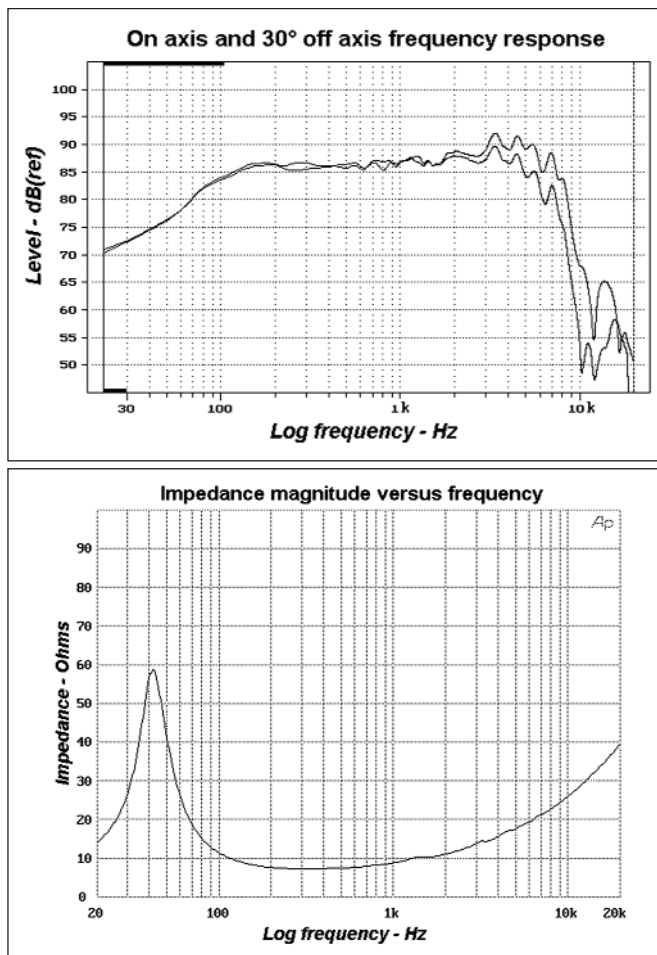
- Thick zamak alloy metal cast frame
- Semi exponential Neoglass cone, rubber surround
- 25 mm diameter voice coil, Nomex™ former
- Efficiency : 87.9 dB
- Excellent bass response in 8 to 9 l vented 2-way systems



DRAWING



MEASUREMENTS



SPECIFICATIONS

Nominal power handling	50	W
Program power handling	70	W
Sensitivity	87.9	dB (2.8V/1m)
Cone	Neoglass	
Surround	Rubber	
Nominal impedance	8	Ω
DC resistance	6.6	Ω
VC diameter	25	mm
VC height	12.4	mm
Former	Nomex™	
Layers	2	
Wire	Copper	
Inductance	0.56	mH
Xmax	3.2	mm
Magnet diameter x height	100 x 18	mm x mm
Magnet weight	564	g
Flux density	1.1	T
Gap height	6	mm
Net weight	1.5	kg

PARAMETERS

Fs	42.0	Hz
Vas	16.1	l
Qts	0.32	
Qes	0.36	
Qms	3.13	
Re	6.8	Ω
Sd	86.6	cm²
Cas	115E-9	m²/N
Mas	124.7	kg/m⁴
Ras	10 526.3	Ω.ac
Cms	153E-5	m/N
Mms	9.3	g
Rms	789	g/s
Ces	201.9	μF
Les	71.0	mH
Res	58.7	Ω
Bl	6.8	N/A
SPL	87.1	dB/W/m

SIMULATION

Ql:	7	Ω
Rg:	0.4	
Qts (+Rg):	0.34	

Low response simulation graph showing Level - dB versus Log frequency - Hz. The response shows a peak around 50 Hz and then drops off significantly above 100 Hz.

Vb:	9	l
Fb:	51.6	Hz
F-3:	53.3	Hz