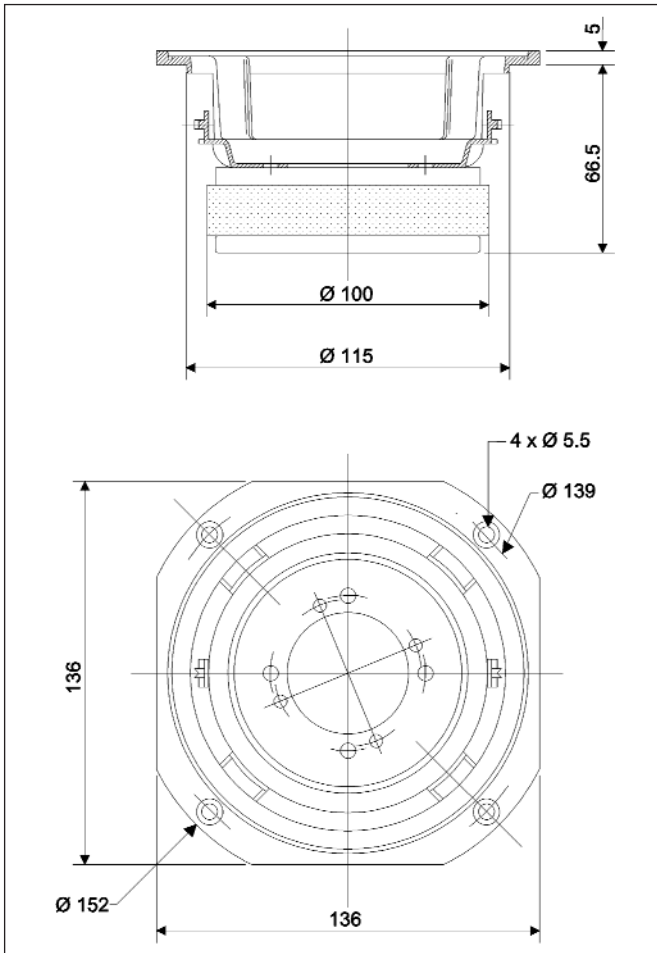
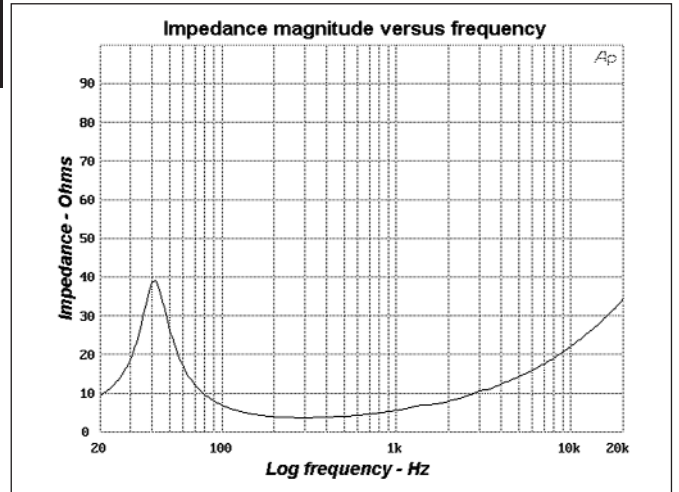
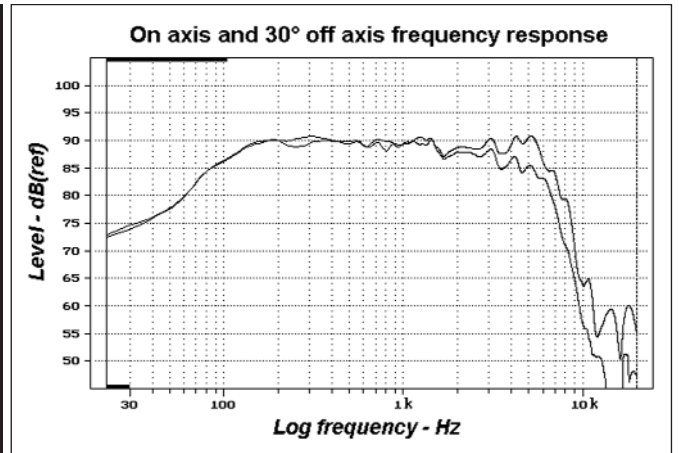


- Thick zamak alloy metal cast frame
- Semi exponential Neoglass cone, rubber surround
- 25 mm diameter dual voice coil, Nomex™ former
- Efficiency : 89.8 dB
- Impressive bass output in very small 4 to 6 l vented 2-way systems

## 5 NV 4211 DB

5" Neoglass dual v.c. midbass


**DRAWING**

**MEASUREMENTS**

**SPECIFICATIONS**

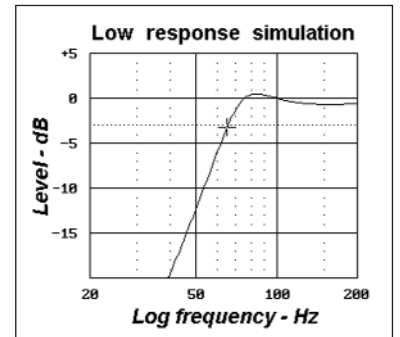
|                          |          |              |
|--------------------------|----------|--------------|
| Nominal power handling   | 45       | W            |
| Program power handling   | 60       | W            |
| Sensitivity              | 89.8     | dB (2.8V/1m) |
| Cone                     | Neoglass |              |
| Surround                 | Rubber   |              |
| Nominal impedance        | 2 x 8    | Ω            |
| DC resistance            | 2 x 6    | Ω            |
| VC diameter              | 25       | mm           |
| VC height                | 11.5     | mm           |
| Former                   | Nomex™   |              |
| Layers                   | 4        |              |
| Wire                     | Copper   |              |
| Inductance               | 2 x 0.48 | mH           |
| Xmax                     | 2.75     | mm           |
| Magnet diameter x height | 100 x 18 | mm x mm      |
| Magnet weight            | 564      | g            |
| Flux density             | 1.03     | T            |
| Gap height               | 6        | mm           |
| Net weight               | 1.5      | kg           |

**PARAMETERS**

|     |          |        |
|-----|----------|--------|
| Fs  | 40.4     | Hz     |
| Vas | 14.7     | l      |
| Qts | 0.22     |        |
| Qes | 0.23     |        |
| Qms | 3.37     |        |
| Re  | 3.1      | Ω      |
| Sd  | 86.6     | cm²    |
| Cas | 105E-9   | m²/N   |
| Mas | 148.0    | kg/m⁴  |
| Ras | 11 159.4 | Ω.ac   |
| Cms | 140E-5   | m/N    |
| Mms | 11.1     | g      |
| Rms | 837      | g/s    |
| Ces | 294.0    | μF     |
| Les | 52.7     | mH     |
| Res | 45.1     | Ω      |
| Bl  | 6.1      | N/A    |
| SPL | 88.1     | dB/W/m |

**SIMULATION**

|            |      |   |
|------------|------|---|
| Ql:        | 7    | Ω |
| Rg:        | 0.3  |   |
| Qts (+Rg): | 0.23 |   |



|      |      |    |
|------|------|----|
| Vb:  | 6    | l  |
| Fb:  | 69.0 | Hz |
| F-3: | 65.1 | Hz |