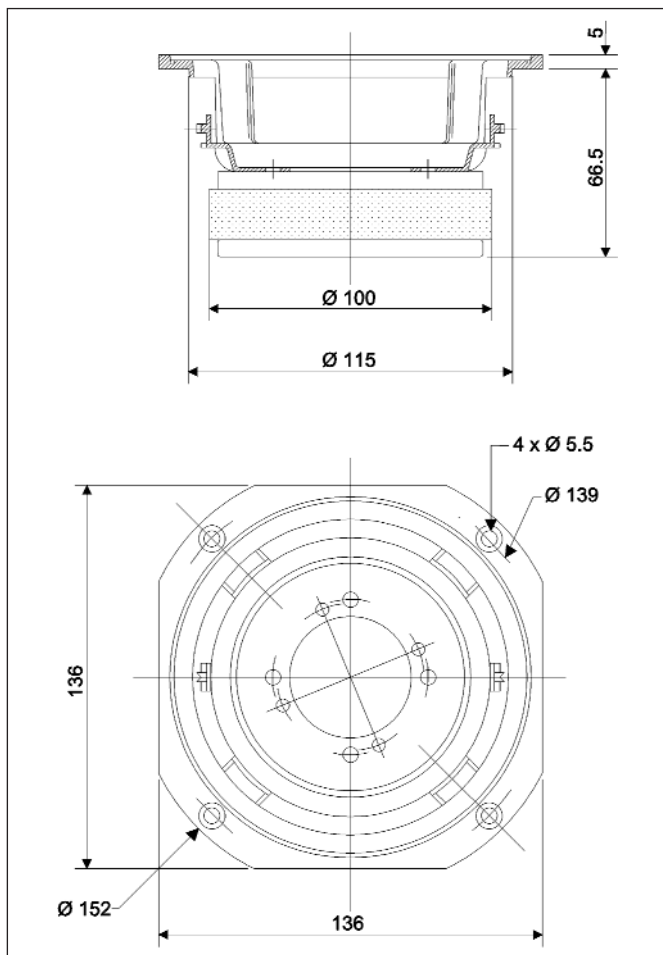


AUDIOPHILE SERIES

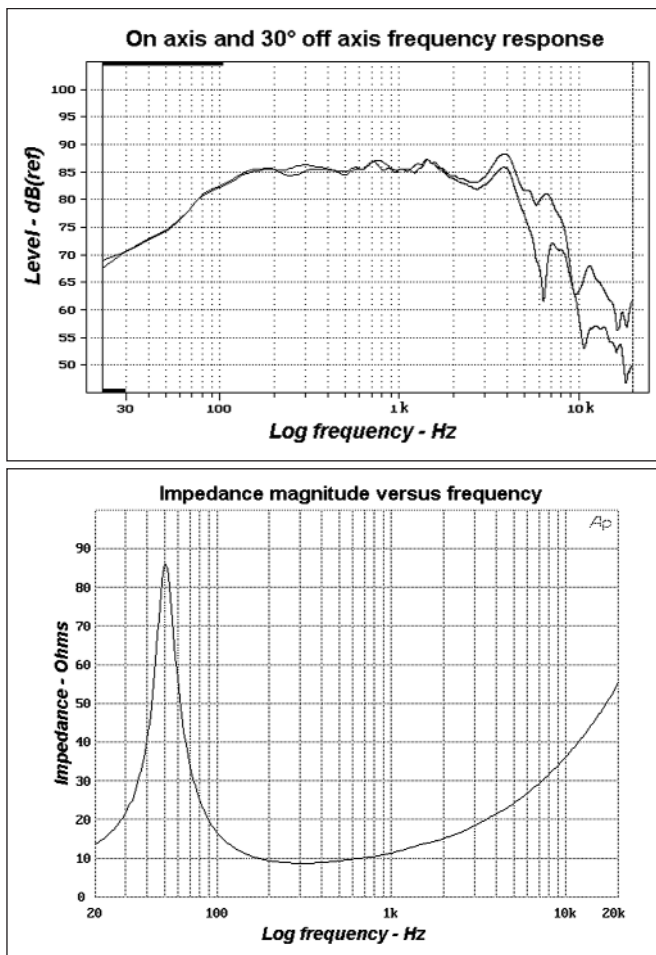
- Thick zamak alloy metal cast frame
- Straight profile Polyglass cone, rubber surround
- Edgewound flat copper wire 40 mm voice coil, Kapton™ former
- Efficiency : 86.8 dB, 10 ohms impedance
- Very practical for dual driver applications (2 or 3-way) high power



DRAWING



MEASUREMENTS



SPECIFICATIONS

Nominal power handling	90	W
Program power handling	125	W
Sensitivity	86.8	dB (2.8V/1m)
Cone	Polyglass	
Surround	Rubber	
Nominal impedance	10	Ω
DC resistance	7.8	Ω
VC diameter	40	mm
VC height	16.5	mm
Former	Kapton™	
Layers	1	
Wire	Copper	
Inductance	0.95	mH
Xmax	5.25	mm
Magnet diameter x height	100 x 18	mm x mm
Magnet weight	564	g
Flux density	1.12	T
Gap height	6	mm
Net weight	1.6	kg

PARAMETERS

Fs	52.1	Hz
Vas	8.2	l
Qts	0.35	
Qes	0.37	
Qms	5.32	
Re	7.8	Ω
Sd	86.6	cm ²
Cas	581E-10	m ² /N
Mas	9 891.6	kg/m ⁴
Ras	160.8	Ω .ac
Cms	775E-6	m/N
Mms	12.1	g
Rms	742	g/s
Ces	145.7	μ F
Les	64.1	mH
Res	111.6	Ω
Bl	9.1	N/A
SPL	86.8	dB/W/m

SIMULATION

Ql:	7	Ω
Rg:	0.3	
Qts (+Rg):	0.36	

Low response simulation graph showing Level - dB vs Log frequency - Hz. The response is flat at 0 dB from 100 Hz to 20 kHz.

Vb:	8	l
Fb:	58.4	Hz
F-3:	54.4	Hz