

# 5 W 4211

5-1/4" W® cone woofer-midrange



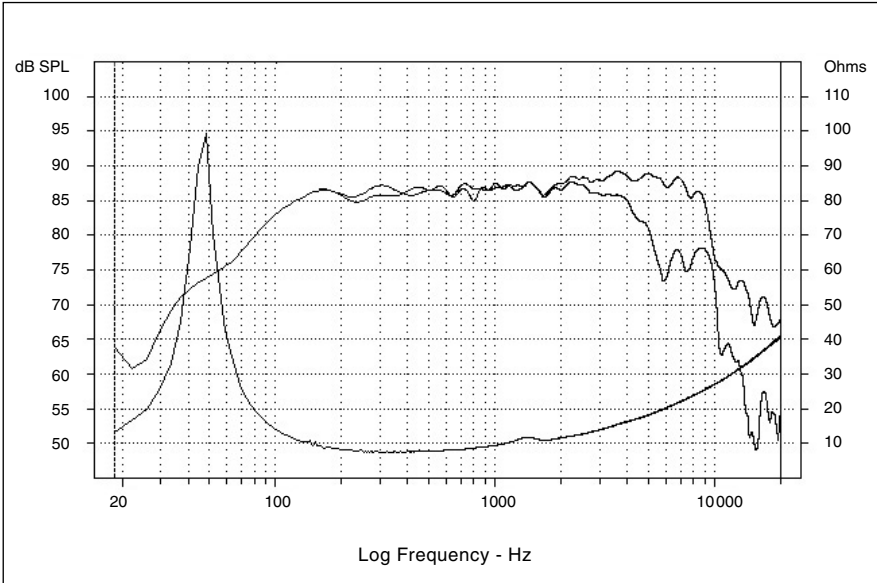
- Thick zamak alloy metal cast frame
- Semi exponential "W"® cone, rubber surround
- 25mm diameter voice coil, Nomex® former, phase plug
- Efficiency: 88.5dB
- Very detailed midrange, robust and efficient midbass



## Specifications

|                |             |                |
|----------------|-------------|----------------|
| Nominal power  | 50 W        |                |
| Maximum power  | 70 W        |                |
| Sensitivity    | 87.45 dB    |                |
| Cone           | "W"®        |                |
| Surround       | rubber      |                |
| Nom. impedance | 6 ohms      |                |
| DC resistance  | 6.6 ohms    |                |
| VC diameter    | 25 mm       | 3.88 in        |
| VC height      | 12.4 mm     | 0.49 in        |
| Former         | Nomex®      |                |
| Layers         | 2           |                |
| Wire           | copper      |                |
| Inductance     | 0.59 mH     |                |
| Xmax           | 3.2 mm      | 0.13 in        |
| Magnet d x h   | 100 x 18 mm | 3.93 x 0.70 in |
| Magnet weight  | 564 g       | 1.24 lb        |
| Flux density   | 1.2 T       |                |
| Gap height     | 6 mm        | 0.24 in        |
| Net weight     | 1.5 kg      | 3.31 lb        |

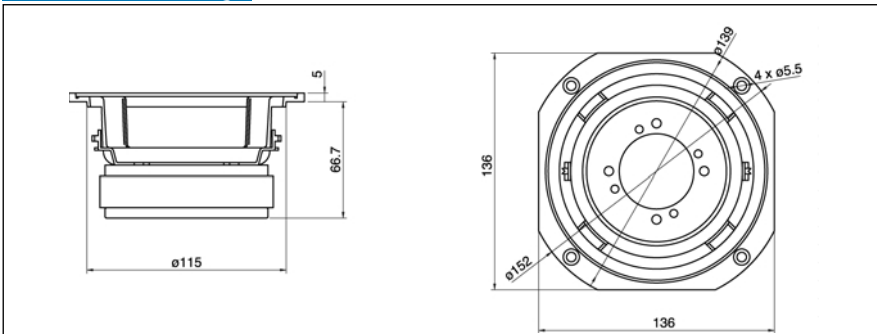
## Frequency Response / Impedance



## Parameters

|     |                      |                      |
|-----|----------------------|----------------------|
| Fs  | 46.5 Hz              |                      |
| Vas | 13.7 l               | 836.0 in3            |
| Qts | 0.28                 |                      |
| Qes | 0.3                  |                      |
| Qms | 4.17                 |                      |
| Re  | 6.6 ohms             |                      |
| Sd  | 86.6 Cm <sup>2</sup> | 13.4 in <sup>2</sup> |
| Cas | 978E-10 m5/N         |                      |
| Mas | 119.9 kg/m4          |                      |
| Ras | 8395.4 ohms.ac       |                      |
| Cms | 1305E-6 m/N          |                      |
| Mms | 8.99 g               | 0.020 lb             |
| Rms | 0.63 g/s             |                      |
| Ces | 155.7 mF             |                      |
| Les | 75.3 mH              |                      |
| Res | 91.7 ohms            |                      |
| BI  | 7.60 N/A             |                      |
| SPL | 88.5 dB/W/m          |                      |

## Mechanical Drawing



## Suggested application

| Load   | V (l) | Fb (Hz) | F-3 (Hz) | Ql |
|--------|-------|---------|----------|----|
| Vented | 8     | 64.6    | 61.7     | 7  |

Focal® is a trademark of Focal-JMLab®