

6 K 4311

6-1/2" Polykevlar® woofer-midrange



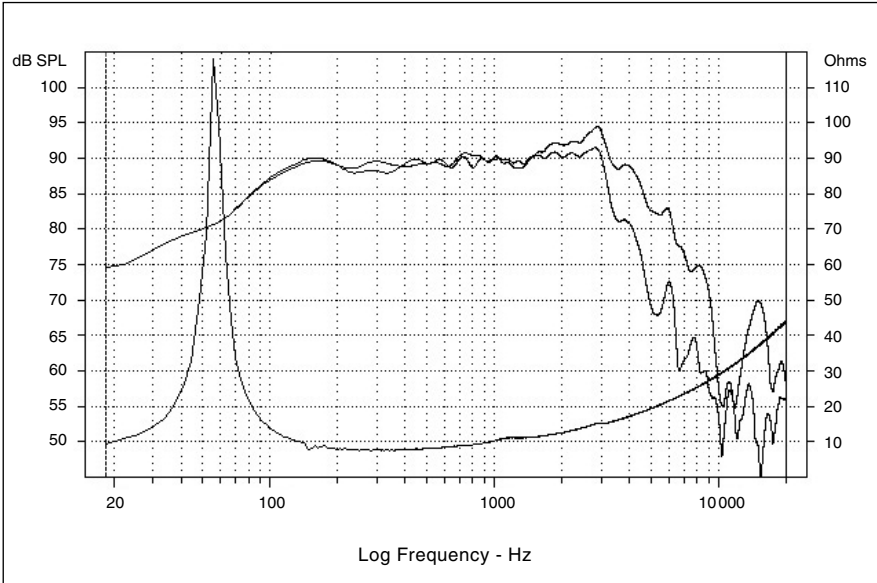
- Thick zamak alloy metal cast frame
- Straight profile Polykevlar® cone, rubber surround
- Edgewound flat copper wire 32mm voice coil, black Kapton® former
- Efficiency: 90dB
- Excellent for small 15 to 20l vented 2-way systems, superb transients



Specifications

Nominal power	90 W	
Maximum power	125 W	
Sensitivity	88.91 dB	
Cone	Kevlar®	
Surround	rubber	
Nom. impedance	6 ohms	
DC resistance	6.88 ohms	
VC diameter	32 mm	4.96 in
VC height	16 mm	0.63 in
Former	Kapton®	
Layers	2	
Wire	copper	
Inductance	0.69 mH	
Xmax	5 mm	0.20 in
Magnet d x h	100 x 18 mm	3.93 x 0.70 in
Magnet weight	564 g	1.24 lb
Flux density	1.1 T	
Gap height	6 mm	0.24 in
Net weight	1.9 kg	4.19 lb

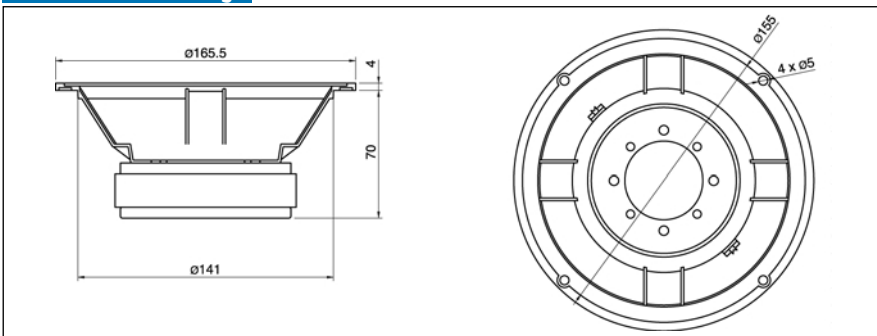
Frequency Response / Impedance



Parameters

Fs	56.8 Hz	
Vas	16.6 l	1013 in ³
Qts	0.43	
Qes	0.46	
Qms	7.91	
Re	6.88 ohms	
Sd	132.7 Cm ²	20.6 in ²
Cas	118E-09 m5/N	
Mas	66.5 kg/m4	
Ras	2998.9 ohms.ac	
Cms	0670E-6 m/N	
Mms	11.71 g	0.026 lb
Rms	0.53 g/s	
Ces	187.3 mF	
Les	41.9 mH	
Res	118.3 ohms	
BI	7.91 N/A	
SPL	90 dB/W/m	

Mechanical Drawing



Suggested application

Load	V (l)	Fb (Hz)	F-3 (Hz)	QI
Vented	16	57.1	56	7

Focal® is a trademark of Focal-JMLab®